



QUANTUM

WALL MOUNTED
OUTDOOR LUMINAIRE



QUANTUM

CONSTRUCTION FEATURES



ITALIAN DESIGN



QUANTUM

FAMILY RANGE

QUANTUM 1.1	QUANTUM 1.2
single emission	double emission

QUANTUM 2.1	QUANTUM 2.2	QUANTUM 2.3
single emission	double emission	single emission + speaker

PRODUCT CODE CONFIGURATION



family

QUA MIZAR QUANTUM

model

00 QUANTUM 1.1

CCT

C 2700 K

D 3000 K

F 4000 K

CRI

C > 90

beam angles

S 10°

M 25°

L 40°

E 10° x 45°

optionals

O no one

I honeycomb

finishing

WO white RAL9003

BO black RAL9005

CT CORTEN

PR paintable primer

GO anthracite RAL7016

cable length

Z no one

variant

00 standard

For correct code composition see instructions on page 151 of the catalogue or go to www.mizar.it



QUANTUM 1.1

Single-emission wall mounted luminaire, suitable for **outdoor** environments (IP65), with wide range operating temperature: **-20°C / +50°C**.

The body is in **die-cast aluminum** protected by epoxy-polyester coating that guarantees resistance to corrosion equal to 1500 hours in salt spray.

Five color finishes are available: white RAL9003, black RAL9005, anthracite RAL7016, CORTEN and paintable primer.

The light source consists of a single Power chip **3W** LED powered by 220Vac (integrated power supply).

The luminous flux up to **135 lm** (3000K) and the design make it **ideal** as a light for illuminating facades and architectural details.

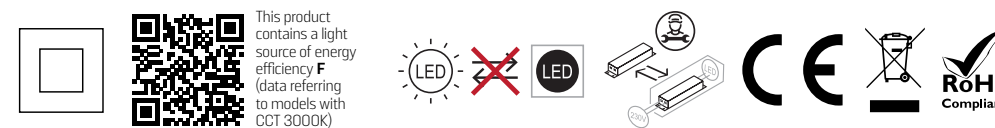
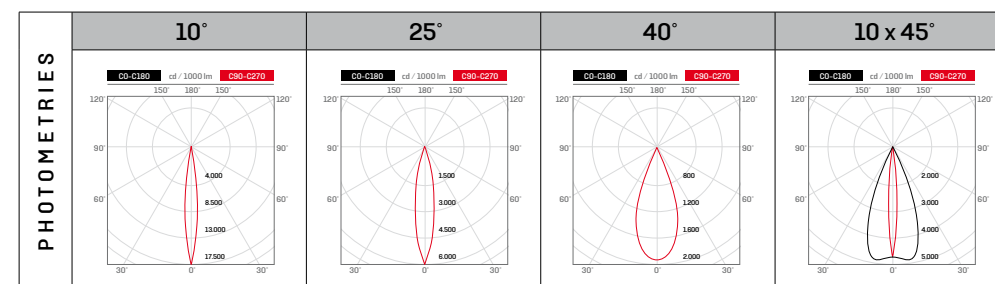
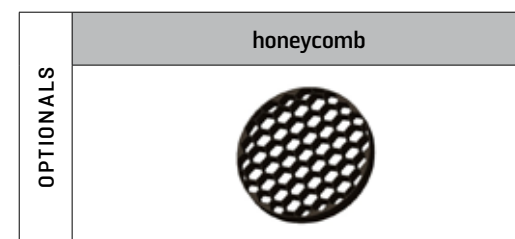
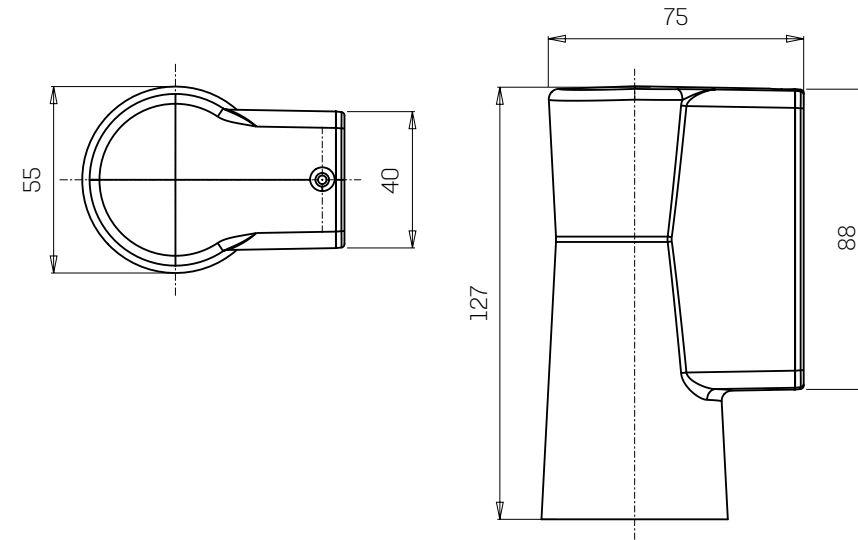
Different **colour temperatures** are available: 2700K, 3000K, 4000K with CRI > 90.

Optional anti-glare (honeycomb) is available.



power	3W - single chip Power Led
power supply	220Vac integrated power supply
insulation class	II class
IP rating	IP 65
IK rating	IK 06
operating temperature	-20°C / +50°C
size	55 x 75 x 127 mm
light source flux	227 lm (3000K)
effective flux	up to 135 lm (3000K)
beam angles	circular 10° - 25° - 40°; elliptical 10° x 45°
CCT	2700K - 3000K - 4000K
CRI	> 90
BIN selection	3 Step MacAdam

lifetime	L80 B10 50.000 h
body materials	EN AB46100 die-cast aluminum
finishing	first coat with protective primer followed by epoxy polyester for corrosion resistance
color	- white RAL9003 - black RAL9005 - anthracite RAL7016 - CORTEN - paintable primer
screen	tempered extra-clear glass - 5 mm black silkprinted
electrical connection	to power line
weight	500 g
made in	ITALY





QUANTUM 1.2

Double-emission wall mounted luminaire, suitable for **outdoor** environments (IP65), with wide range operating temperature: **-20°C / +50°C**.

The body is in **die-cast aluminum** protected by epoxy-polyester coating that guarantees resistance to corrosion equal to 1500 hours in salt spray. Five color finishes are available: white RAL9003, black RAL9005, anthracite RAL7016, CORTEN and paintable primer.

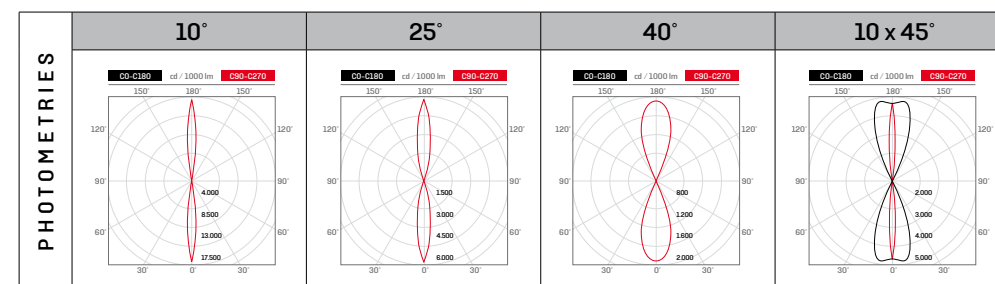
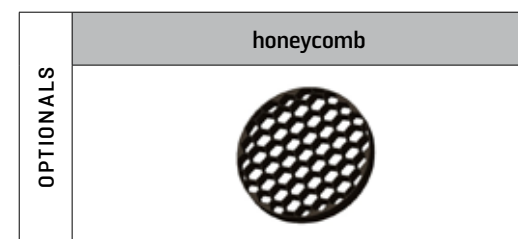
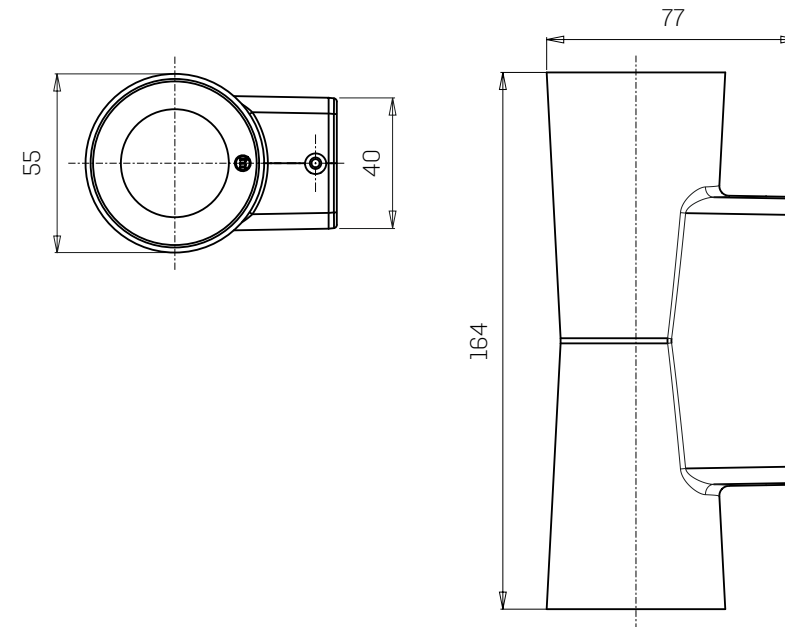
The light source consists of a single Power chip **3W+3W** LED per emission powered by 220Vac (integrated power supply). The luminous flux up to **135 lm x 2** (3000K) and the design make it **ideal** as a light for illuminating facades and architectural details.

Different **colour temperatures** are available: 2700K, 3000K, 4000K with CRI > 90. Optional anti-glare (honeycomb) is available.



power	3W+3W - single chip Power Led
power supply	220Vac integrated power supply
insulation class	II class
IP rating	IP 65
IK rating	IK 06
operating temperature	-20°C / +50°C
size	55 x 77 x 164 mm
light source flux	227 lm x2 (3000K)
effective flux	up to 135 lm x2 (3000K)
beam angles	circular 10° - 25° - 40°; elliptical 10° x 45°
CCT	2700K - 3000K - 4000K
CRI	> 90
BIN selection	3 Step MacAdam

lifetime	L80 B10 50.000 h
body materials	EN AB46100 die-cast aluminum
finishing	first coat with protective primer followed by epoxy polyester for corrosion resistance
color	- white RAL9003 - black RAL9005 - anthracite RAL7016 - CORTEN - paintable primer
screen	tempered extra-clear glass - 5 mm black silkprinted
electrical connection	to power line
weight	600 g
made in	ITALY



PRODUCT CODE CONFIGURATION

QUA	MIZAR QUANTUM
01	QUANTUM 1.2
C	2700 K
D	3000 K
F	4000 K
C	> 90
S	10°
M	25°
L	40°
E	10° x 45°
O	no one
I	honeycomb
WO	white RAL9003
BO	black RAL9005
CT	CORTEN
PR	paintable primer
GO	anthracite RAL7016
Z	no one
00	standard

For correct code composition see instructions on page 151 of the catalogue or go to www.mizar.it





QUANTUM 2.1

Single-emission wall mounted luminaire, suitable for **outdoor** environments (IP65), with wide range operating temperature: **-20°C / +50°C**.

The body is in **die-cast aluminum** protected by epoxy-polyester coating that guarantees resistance to corrosion equal to 1500 hours in salt spray.

Five color finishes are available: white RAL9003, black RAL9005, anthracite RAL7016, CORTEN and paintable primer.

The light source consists of a single Power chip **7W LED** powered by 220Vac (integrated power supply).

The luminous flux up to **305 lm** (3000K) and the design make it **ideal** as a light for illuminating facades and architectural details.

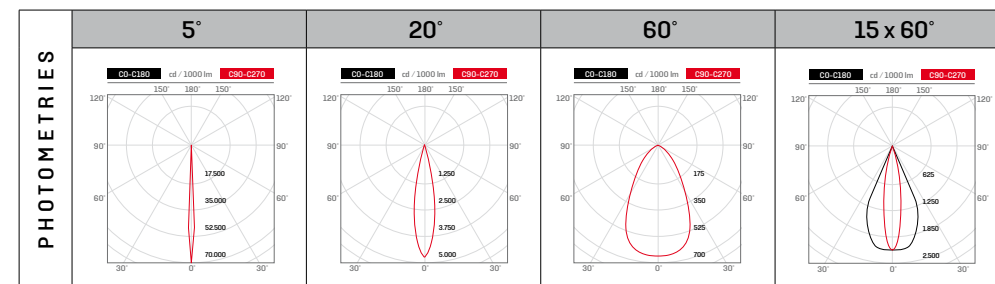
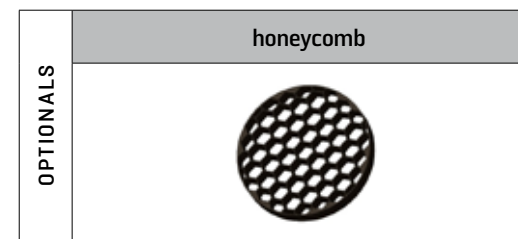
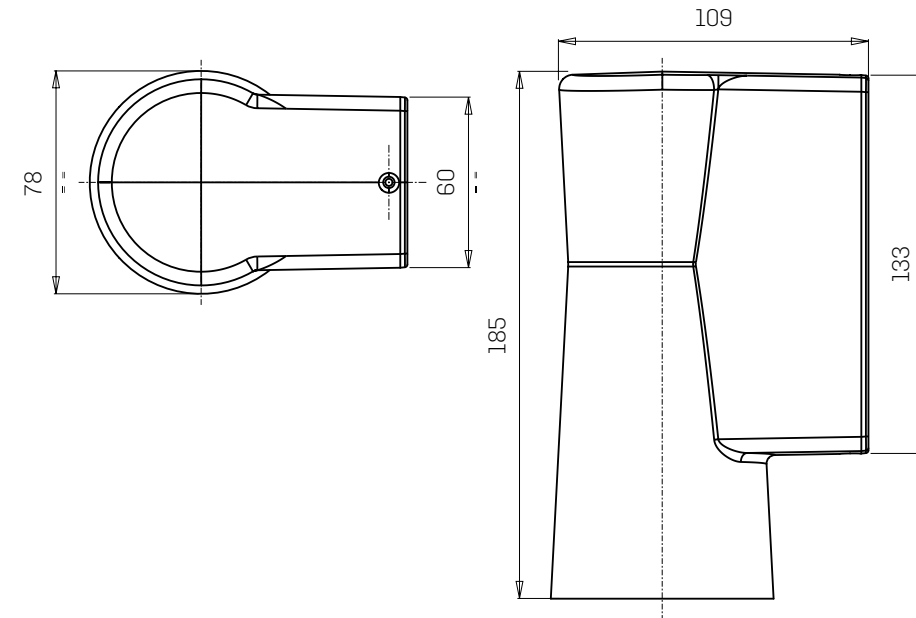
Different **colour temperatures** are available: 2700K, 3000K, 4000K with CRI > 90.

Optional anti-glare (honeycomb) is available.



power	7W - single chip Power Led
power supply	220Vac integrated power supply
insulation class	II class
IP rating	IP 65
IK rating	IK 06
operating temperature	-20°C / +50°C
size	109 x 78 x 185 mm
light source flux	410 lm (3000K)
effective flux	up to 305 lm (3000K)
beam angles	circular 5° - 20° - 60°; elliptical 15° x 60°
CCT	2700K - 3000K - 4000K
CRI	> 90
BIN selection	3 Step MacAdam

lifetime	L80 B10 50.000 h
body materials	EN AB46100 die-cast aluminum
finishing	first coat with protective primer followed by epoxy polyester for corrosion resistance
color	- white RAL9003 - black RAL9005 - anthracite RAL7016 - CORTEN - paintable primer
screen	tempered extra-clear glass - 6 mm black silkprinted
electrical connection	to power line
weight	1200 g
made in	ITALY



PRODUCT CODE CONFIGURATION



family	
QUA	MIZAR QUANTUM
model	
02	QUANTUM 2.1
CCT	
C	2700 K
D	3000 K
F	4000 K
CRI	
C	> 90
beam angles	
S	5°
M	20°
L	60°
E	15° x 60°
optionals	
O	no one
I	honeycomb
finishing	
WO	white RAL9003
BO	black RAL9005
CT	CORTEN
PR	paintable primer
GO	anthracite RAL7016
cable length	
Z	no one
variant	
00	standard

For correct code composition see instructions on page 151 of the catalogue or go to www.mizar.it





QUANTUM 2.2

Double-emission wall mounted luminaire, suitable for **outdoor** environments (IP65), with wide range operating temperature: **-20°C / +50°C**.

The body is in **die-cast aluminum** protected by epoxy-polyester coating that guarantees resistance to corrosion equal to 1500 hours in salt spray. Five color finishes are available: white RAL9003, black RAL9005, anthracite RAL7016, CORTEN and paintable primer.

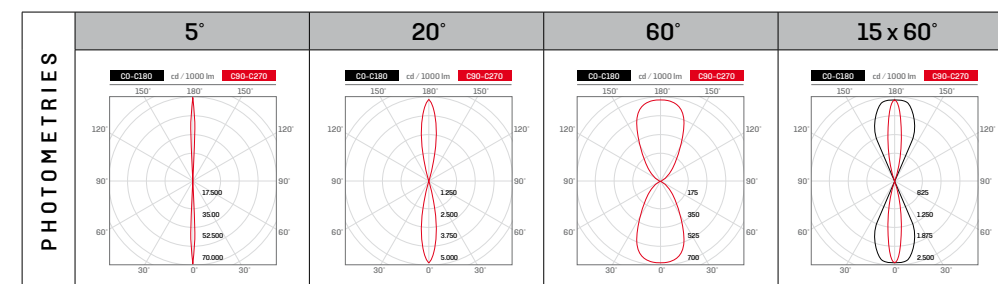
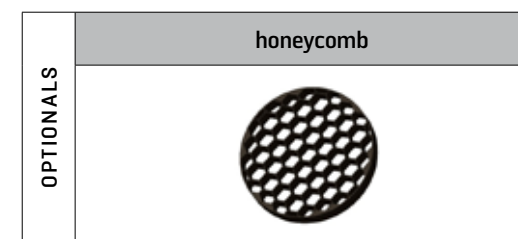
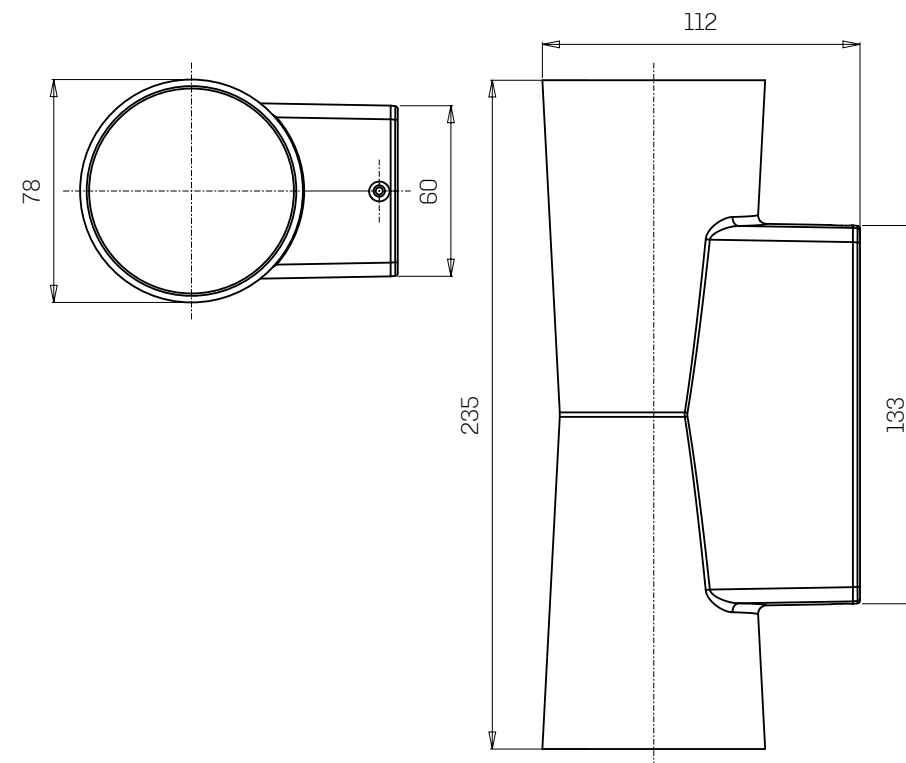
The light source consists of a single Power chip **7W+7W** LED per emission powered by 220Vac (integrated power supply). The luminous flux up to **305 lm x 2** (3000K) and the design make it **ideal** as a light for illuminating facades and architectural details.

Different **colour temperatures** are available: 2700K, 3000K, 4000K with CRI > 90. Optional anti-glare (honeycomb) is available.



power	7W+7W - single chip Power Led
power supply	220Vac integrated power supply
insulation class	II class
IP rating	IP 65
IK rating	IK 06
operating temperature	-20°C / +50°C
size	112 x 78 x 235 mm
light source flux	410 lm x2 (3000K)
effective flux	up to 305 lm x2 (3000K)
beam angles	circular 5° - 20° - 60°; elliptical 15° x 60°
CCT	2700K - 3000K - 4000K
CRI	> 90
BIN selection	3 Step MacAdam

lifetime	L80 B10 50.000 h
body materials	EN AB46100 die-cast aluminum
finishing	first coat with protective primer followed by epoxy polyester for corrosion resistance
color	- white RAL9003 - black RAL9005 - anthracite RAL7016 - CORTEN - paintable primer
screen	tempered extra-clear glass - 6 mm black silkprinted
electrical connection	to power line
weight	1660 g
made in	ITALY



PRODUCT CODE CONFIGURATION

QUA	MIZAR QUANTUM
03	QUANTUM 2.2
C	2700 K
D	3000 K
F	4000 K
C	> 90
S	5°
M	20°
L	60°
E	15° x 60°
O	no one
I	honeycomb
WO	white RAL9003
BO	black RAL9005
CT	CORTEN
PR	paintable primer
GO	anthracite RAL7016
Z	no one
00	standard

For correct code composition see instructions on page 151 of the catalogue or go to www.mizar.it

