



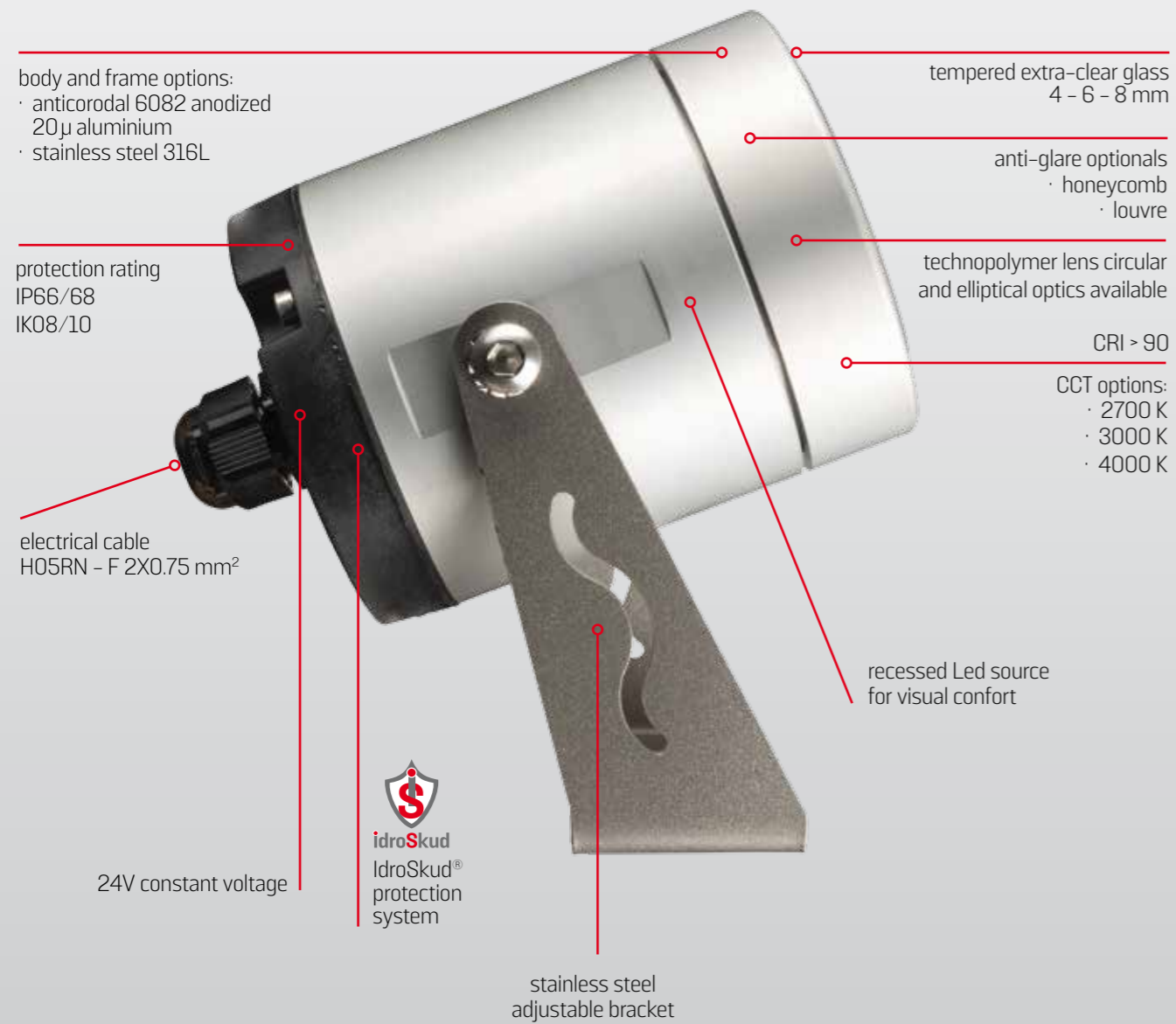
OCEANO

OUTDOOR FLOODLIGHTS



OCEANO

CONSTRUCTION FEATURES

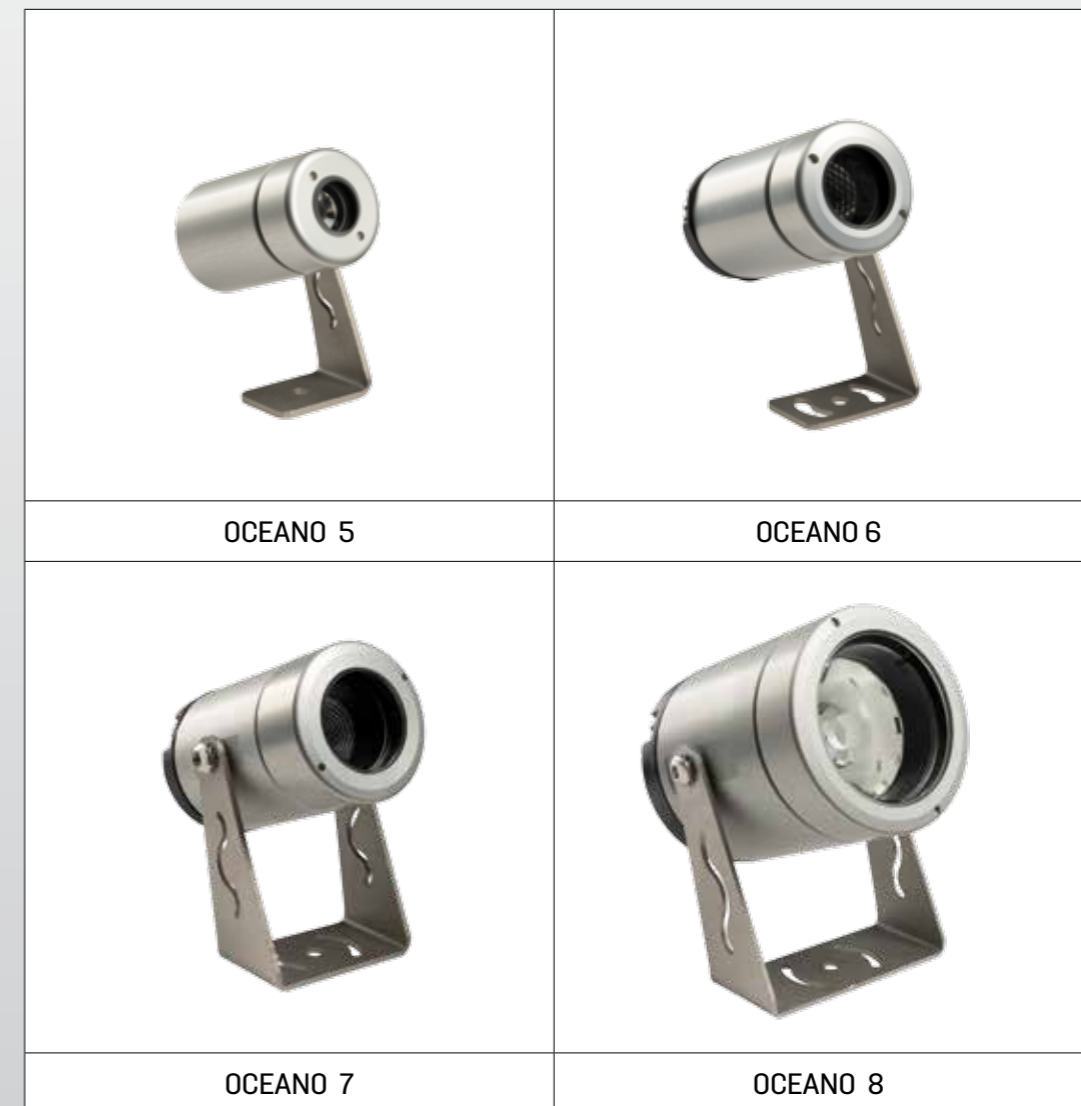


ITALIAN DESIGN



OCEANO

FAMILY RANGE





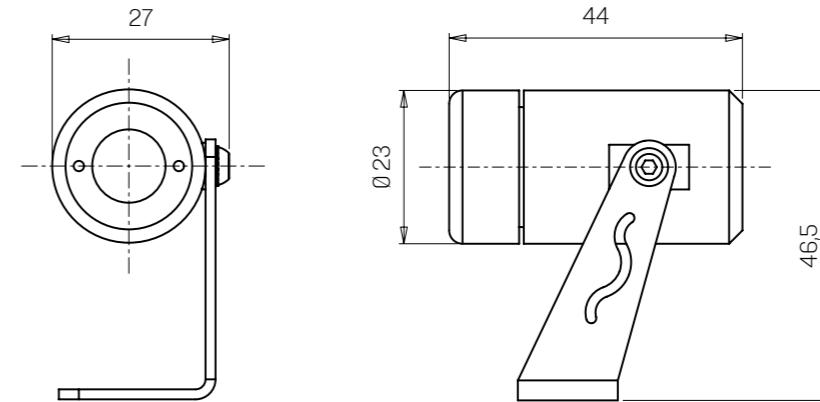
OCEANO 5

Floodlights suitable for use (IP66/IP68) with an operating temperature range of **-20°C / +50°C**. To offer the maximum application versatility the body can be made of aluminium or steel; for both models, the bracket are made in steel and allows the fixture's inclination to be adjusted. The light source consists of a single chip **1W** power LED supplied at 24V constant voltage. The luminous flux up to **53 lm** (3000K) makes it **ideal** for illuminating architectural details, garden plants or water features, thanks to different beam angles: circular 15°, 25° and 40° and an **elliptical** 20x43°. The source is recessed for greater visual comfort. Different **colour temperatures** are available: 2700K, 3000K, 4000K with CRI > 90. Oceano 5.0 is equipped with the **IdroSkud®** system for the protection of electronic components against voltage spikes, reverse polarity and water infiltration. An accessory for installation in the ground is provided (ground stake). The power cable length is 0.4m; on request: 1.5m, 5m, 10m, 15m.

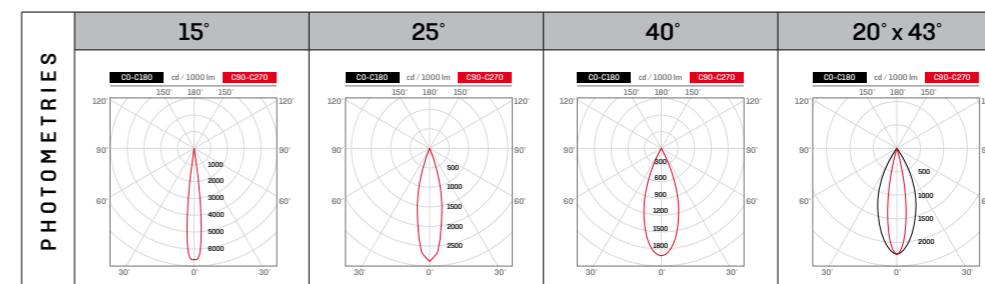


power	1W - single chip Power Led
power supply	24V constant voltage
insulation class	III class
IP rating	IP66 / IP68
IK rating	IK 09
operating temperature	-20°C / +50°C
size	Ø 23 x 44 x 46,5 mm
light source flux	172 lm (3000K)
effective flux	up to 53 lm (3000K)
beam angles	circular 15° - 25° - 40°; elliptical 20° x 43°
CCT	2700K - 3000K - 4000K
CRI	> 90
BIN selection	2 Step MacAdam
lifetime	L80 B10 50.000 h

body materials	- anticorodal 6082 anodized 20µ aluminium - 316L stainless steel
frame materials	- anticorodal 6082 anodized 20µ aluminium - 316L stainless steel
screen	tempered extra-clear glass - 4 mm
installation	steel bracket
power cable	FR5FOEM7 -AD8 2X0.5 mm ²
electrical connection	parallel
weight	52 g (aluminium) 112 g (steel)
protection system	IdroSkud® System - polarity reversal protection - voltage spikes protection - water infiltration protection
made in	ITALY



OPTIONALS	cable m 0.4, 1.5, 5, 10, 15	ACCESSORIES	ground stake CEAZZ016
			power supply for recommended models see page 54



PRODUCT CODE CONFIGURATION



family	MIZAR OCEANO
CEA	MIZAR OCEANO
model	OCEANO 5
12	OCEANO 5
CCT	
C	2700 K
D	3000 K
F	4000 K
CRI	
C	> 90
beam angles	
S	15°
M	25°
L	40°
E	20°x43° ell.
optionals	
O	no one
frame finishing	
00	aluminium
01	steel
cable length	
A	0,4 m
C	1,5 m
H	5 m
M	10 m
P	15 m
variant	
00	standard

For correct code composition see instructions on page 151 of the catalogue or go to www.mizar.it





OCEANO 6

Floodlights suitable for **outdoor** use (IP66/IP68) with an operating temperature range of **-20°C / +50°C**. To offer the maximum application versatility the body can be made of **aluminium** or **steel**; for both models, the bracket are made in steel and allows the fixture's inclination to be adjusted. The light source consists of a single chip **2W** power LED supplied at 24V constant voltage.

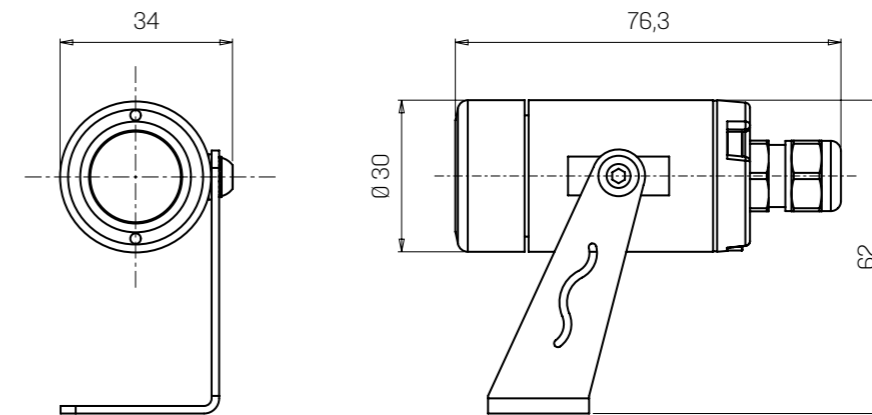
The luminous flux up to **120 lm** (3000K) makes it **ideal** for illuminating architectural details, garden plants or water features, thanks to different beam angles: circular 10°, 36° and 60° and an **elliptical** 10x53°. The source is recessed for greater visual comfort. Different **colour temperatures** are available: 2700K, 3000K, 4000K with CRI > 90.

Oceano 6.0 is equipped with the **IdroSkud®** system for the protection of electronic components against voltage spikes, reverse polarity and water infiltration. There are optionals for anti-glare (honeycomb) and installation in the ground is provided (ground stake). The power cable length is 0.4m; on request: 1.5m, 5m, 10m, 15m.

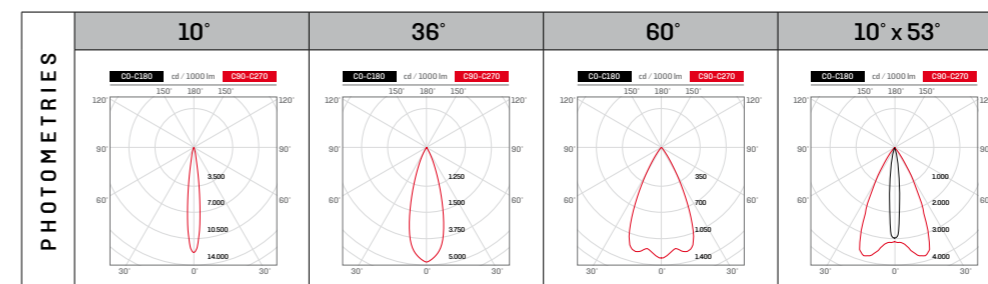


power	2W - single chip Power Led
power supply	24V constant voltage
insulation class	III class
IP rating	IP66 / IP68
IK rating	IK 07
operating temperature	-20°C / +50°C
size	Ø 30 x 76 x 62 mm
light source flux	195 lm (3000K)
effective flux	up to 120 lm (3000K)
beam angles	circular 10° - 36° - 60°; elliptical 10° x 53°
CCT	2700K - 3000K - 4000K
CRI	> 90
BIN selection	2 Step MacAdam
lifetime	L80 B10 50.000 h

body materials	- anticorodal 6082 anodized 20µ aluminium - 316L stainless steel
frame materials	- anticorodal 6082 anodized 20µ aluminium - 316L stainless steel
screen	tempered extra-clear glass - 6 mm
installation	steel bracket
power cable	H05RN - F 2X0.75 mm²
electrical connection	parallel
weight	118 g (aluminium) 226 g (steel)
protection system	IdroSkud® System - polarity reversal protection - voltage spikes protection - water infiltration protection
made in	ITALY



OPTIONALS	honeycomb	cable m 0.4, 1.5, 5, 10, 15
ACCESSORIES	ground stake CEAZZ016	
	power supply for recommended models see page 54	



PRODUCT CODE CONFIGURATION



family	MIZAR OCEANO
CEA	MIZAR OCEANO
model	OCEANO 6
13	OCEANO 6
CCT	2700 K 3000 K 4000 K
CRI	> 90
beam angles	10° 36° 60° 10°x53° ell.
optionals	no one honeycomb
frame finishing	aluminium steel
cable length	0,4 m 1,5 m 5 m 10 m 15 m
variant	standard

For correct code composition see instructions on page 151 of the catalogue or go to www.mizar.it





OCEANO 7

Floodlights suitable for **outdoor** use and **underwater** up to 10m (IP66/IP68) with an operating temperature range of **-20°C / +50°C**.

To offer the maximum application versatility the body can be made of **aluminium** or **steel**; for both models, the bracket are made in steel and allows the fixture's inclination to be adjusted.

The light source consists of a single chip **3W** power LED supplied at 24V constant voltage.

The luminous flux up to **153 lm** (3000K) makes it ideal for illuminating architectural details, garden plants or water features, thanks to different beam angles: circular 10°, 25° and 40° and an **elliptical** 10x45°.

The source is recessed for greater visual comfort. Different **colour temperatures** are available:

2700K, 3000K, 4000K with CRI > 90.

Oceano 7.0 is equipped with the **IdroSkud®** system for the protection of electronic components against voltage spikes, reverse polarity and water infiltration.

There are optionals for anti-glare (honeycomb) and installation in the ground is provided (ground stake).

The power cable length is 0.4m; on request: 1.5m, 5m, 10m, 15m.

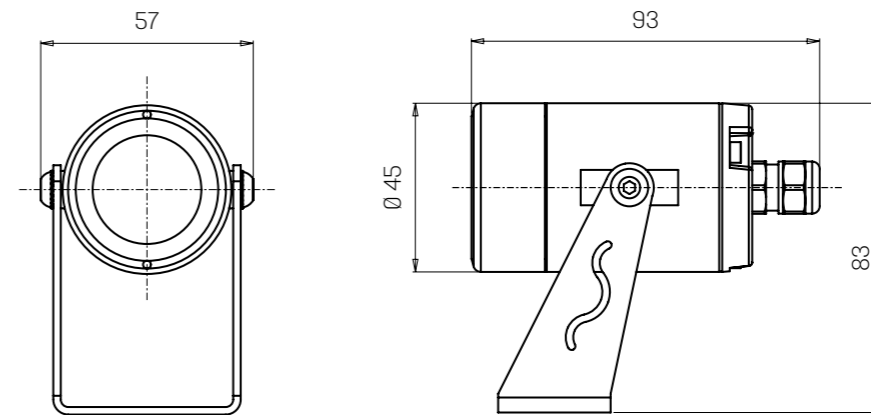


aluminium

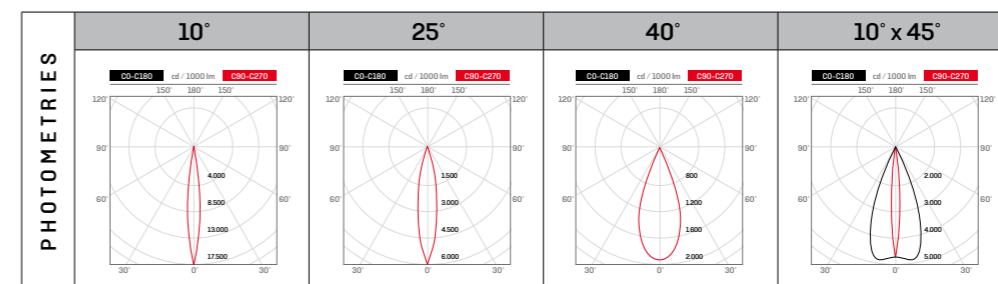
steel

power	3W - single chip Power Led
power supply	24V constant voltage
insulation class	III class
IP rating	IP66 / IP68 10 m
IK rating	IK10
operating temperature	-20°C / +50°C
size	Ø 45 x 93 x 83 mm
light source flux	227 lm (3000K)
effective flux	up to 153 lm (3000K)
beam angles	circular 10° - 25° - 40°; elliptical 10° x 45°
CCT	2700K - 3000K - 4000K
CRI	> 90
BIN selection	2 Step MacAdam
lifetime	L80 B10 50.000 h

body materials	- anticorodal 6082 anodized 20µ aluminium - 316L stainless steel
frame materials	- anticorodal 6082 anodized 20µ aluminium - 316L stainless steel
screen	tempered extra-clear glass - 8 mm
installation	steel bracket
power cable	H05RN - F 2X0.75 mm²
electrical connection	parallel
weight	304 g (aluminium) 629 g (steel)
protection system	IdroSkud® System - polarity reversal protection - voltage spikes protection - water infiltration protection
made in	ITALY



OPTIONALS	honeycomb	cable m 0.4, 1.5, 5, 10, 15	ACCESSORIES	ground stake
				CEAZZ016
				power supply for recommended models see page 54



PRODUCT CODE CONFIGURATION



family	MIZAR OCEANO
CEA	MIZAR OCEANO
model	OCEANO 7
14	OCEANO 7
CCT	
C	2700 K
D	3000 K
F	4000 K
CRI	
C	> 90
beam angles	
S	10°
M	25°
L	40°
E	10°x45° ell.
optionals	
O	no one
I	honeycomb
frame finishing	
00	aluminium body
01	steel frame
cable length	
A	0,4 m
C	1,5 m
H	5 m
M	10 m
P	15 m
variant	
00	standard

For correct code composition see instructions on page 151 of the catalogue or go to www.mizar.it





OCEANO 8

Floodlights suitable for **outdoor** use and **underwater** up to 10m (IP66/IP68) with an operating temperature range of **-20°C / +50°C**.

To offer the maximum application versatility the body can be made of **aluminium** or **steel**; for both models, the bracket are made in steel and allows the fixture's inclination to be adjusted.

The light source consists of a single chip **7W** power LED supplied at 24V constant voltage.

The luminous flux up to **305 lm** (3000K) makes it ideal for illuminating architectural details, garden plants or water features, thanks to different beam angles: circular 5°, 20° and 60° and an **elliptical 15x60°**.

The source is recessed for greater visual comfort. Different **colour temperatures** are available:

2700K, 3000K, 4000K with CRI > 90.

Oceano 8.0 is equipped with the **IdroSkud®** system for the protection of electronic components against voltage spikes, reverse polarity and water infiltration.

There are optionals for anti-glare (honeycomb) and installation in the ground is provided (ground stake).

The power cable length is 0.4m; on request: 1.5m, 5m, 10m, 15m.

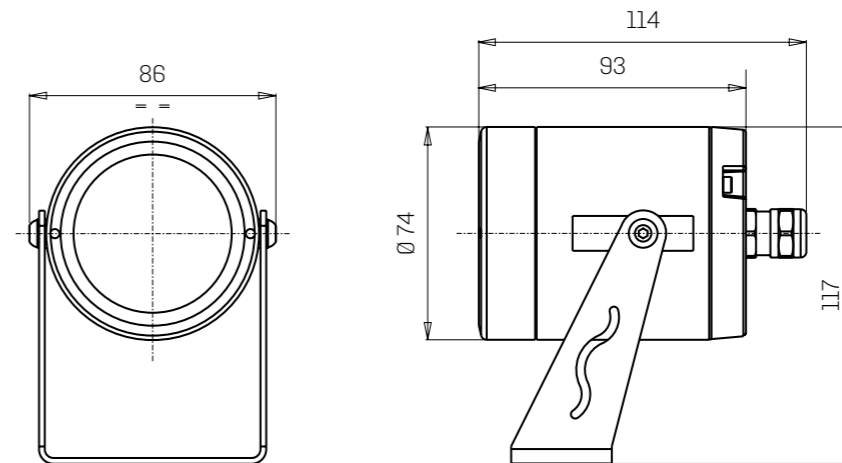


aluminium

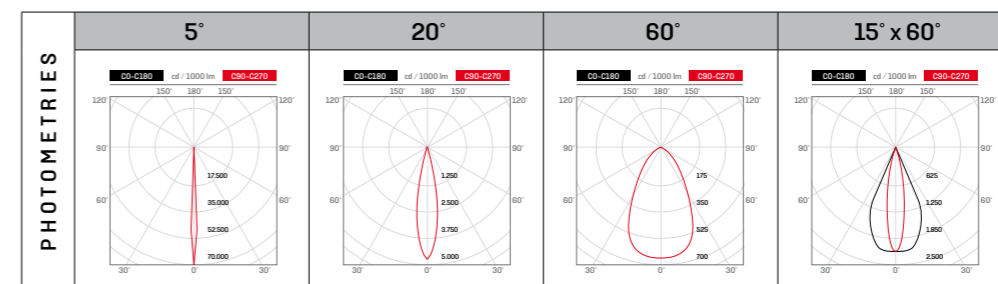
steel

power	7W - single chip Power Led
power supply	24V constant voltage
insulation class	III class
IP rating	IP66 / IP68 10 m
IK rating	IK 09
operating temperature	-20°C / +50°C
size	Ø 74 x 114 x 117 mm
light source flux	410 lm (3000K)
effective flux	up to 305 lm (3000K)
beam angles	circular 5° - 20° - 60°; elliptical 15° x 60°
CCT	2700K - 3000K - 4000K
CRI	> 90
BIN selection	2 Step MacAdam
lifetime	L80 B10 50.000 h

body materials	- anticorodal 6082 anodized 20µ aluminium - 316L stainless steel
frame materials	- anticorodal 6082 anodized 20µ aluminium - 316L stainless steel
screen	tempered extra-clear glass - 8 mm
installation	steel bracket
power cable	H05RN - F 2X0.75 mm²
electrical connection	parallel
weight	748 g (aluminium) 1592 g (steel)
protection system	IdroSkud® System - polarity reversal protection - voltage spikes protection - water infiltration protection
made in	ITALY



OPTIONALS	honeycomb	cable m 0.4, 1.5, 5, 10, 15	ACCESSORIES	ground stake CEAZZ017
				power supply for recommended models see page 54



PRODUCT CODE CONFIGURATION



family	MIZAR OCEANO
CEA	MIZAR OCEANO
model	OCEANO 8
15	OCEANO 8
CCT	
C	2700 K
D	3000 K
F	4000 K
CRI	
C	> 90
beam angles	
S	5°
M	20°
L	60°
E	15°x60° ell.
optionals	
O	no one
I	honeycomb
frame finishing	
00	aluminium
01	steel
cable length	
A	0,4 m
C	1,5 m
H	5 m
M	10 m
P	15 m
variant	
00	standard

For correct code composition see instructions on page 151 of the catalogue or go to www.mizar.it



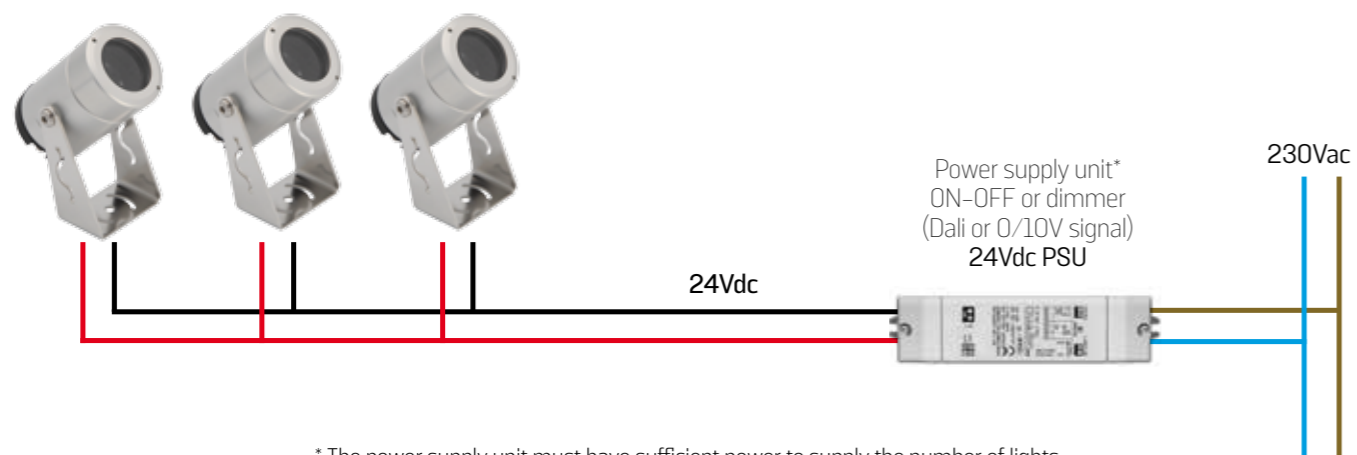


OCEANO




PARALLEL ELECTRICAL CONNECTION

ON-OFF OR DIMMER SYSTEM (DALI OR 0-10V SIGNAL)

OCEANO lights are designed for parallel connection with ON-OFF or dimmer power supply units



* The power supply unit must have sufficient power to supply the number of lights in the circuit plus a tolerance of 30% to handle the inrush current

SUGGESTED POWER SUPPLY	code	OUT tension	output max	W max	IP	supported spotlight model	number of spotlights	
	MID0019	24V	600mA dc	14,4 W	IP67	OCEANO 5	9	
						OCEANO 6	5	
						OCEANO 7	3	
						OCEANO 8	1	
	MID0020	24V	1500mA dc	24 W	IP67	OCEANO 5	23	
						OCEANO 6	11	
						OCEANO 7	10	
						OCEANO 8	3	
	MID0021	DALI 24V	1000mA dc	24 W	IP67	OCEANO 5	15	
						OCEANO 6	9	
						OCEANO 7	6	
OCEANO 8						2		

