



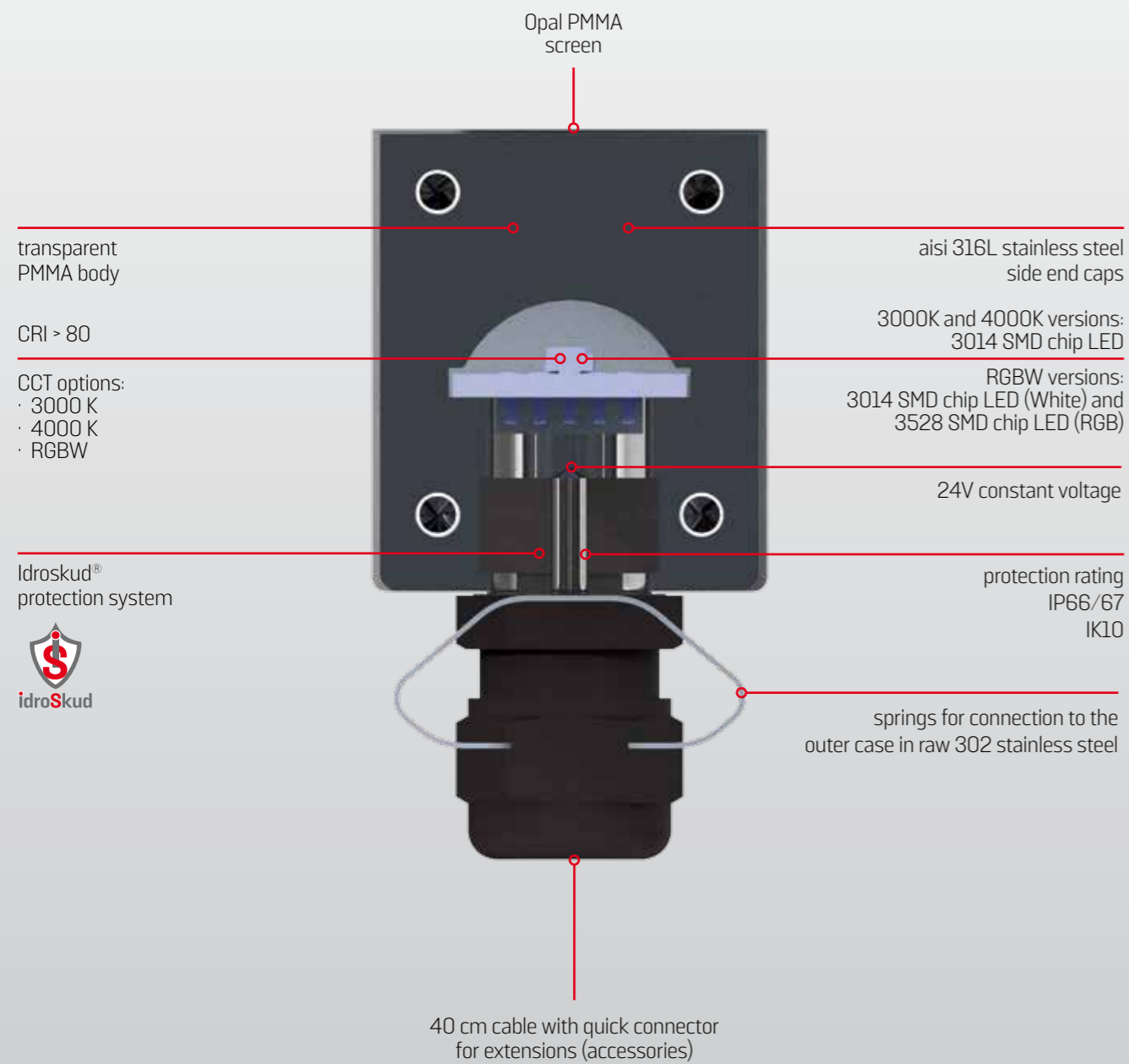
LINEO

DRIVER-OVER OUTDOOR
LINEAR INGROUNDS



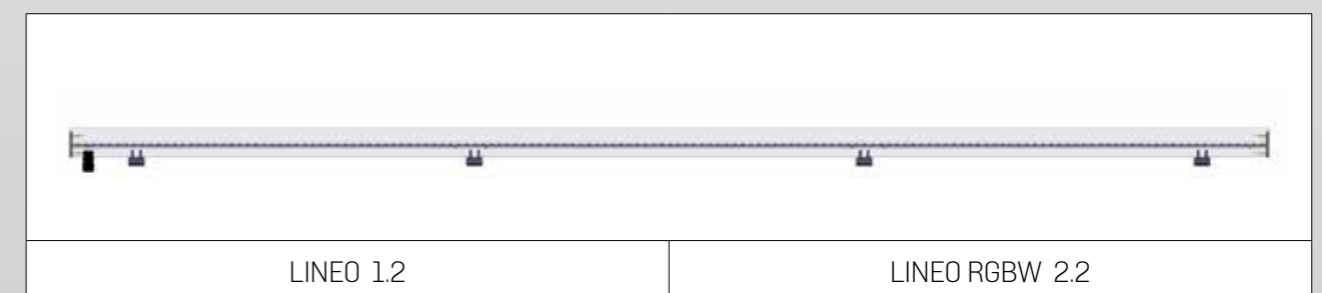
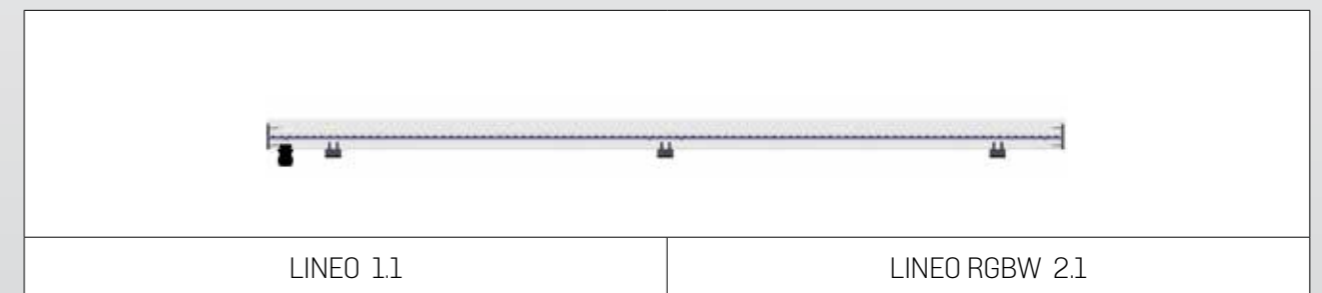
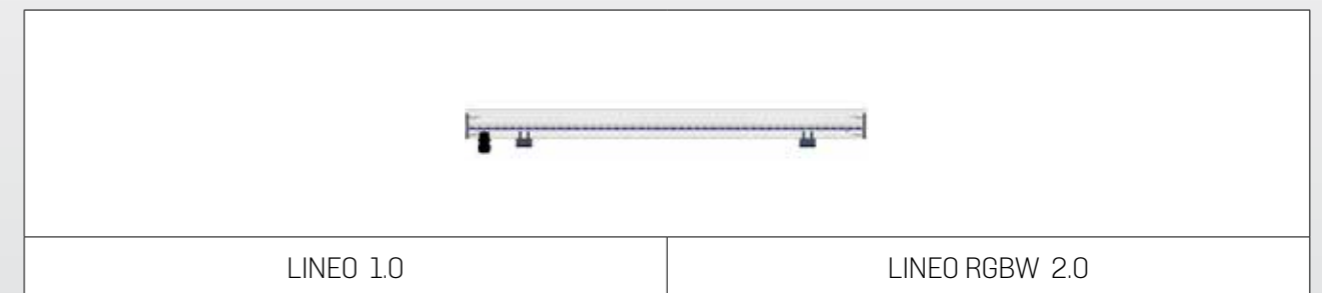
LINEO

CONSTRUCTION FEATURES



LINEO

FAMILY RANGE





LINEO 1.0 | 1.1 | 1.2

Linear ingrounds luminaire, **drive-over**, suitable for **outdoor** environments (IP66/IP67), with operating temperature range: **-20°C / +50°C**.

The body is in **PMMA**, transparent and opal on the upper side; the end caps are made of 316L stainless steel. The light source consists of 6/12/18W SMD3014 LEDs, according to the length of the luminaire, powered at 24V constant voltage.

The luminous flux up to **160/320/485 lm** (3000K) makes it **ideal** for **marking** out walkways and driveways, or create luminous cuts on walls and ceilings.

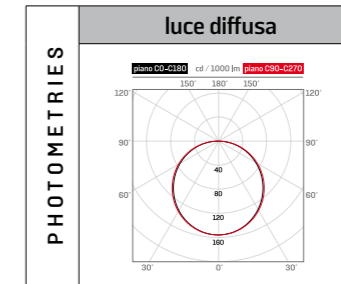
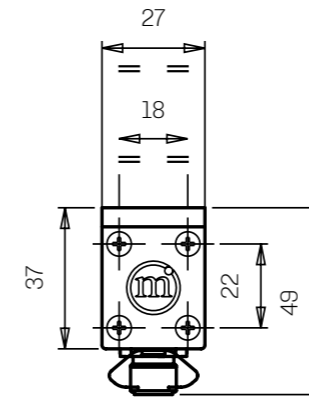
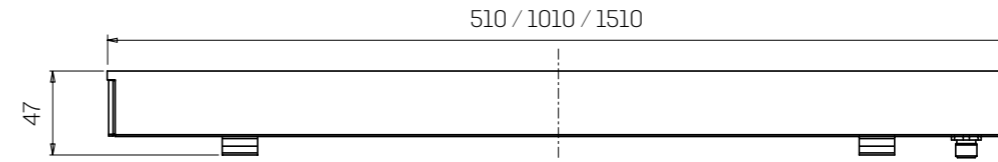
The **colour temperature** available in the variants: 3000K, 4000K.

Lineo is equipped with the **IdroSkud®** system for the protection of electronic components from voltage spikes, polarity reversal and water infiltration.

Accessories are provided for the installation (ground outer case and for plasterboard; extension cables up to 15 m).

power	6 / 12 / 18 W - Chip Led SMD 3014
power supply	24V constant voltage
insulation class	III class
IP rating	IP66 / IP67
IK rating	IK 10
operating temperature	-20°C / +50°C
size	27 x 49 x 510 / 1010 / 1510 mm
light source flux	804 / 1610 / 2400 lm (3000K)
effective flux	up to 160 / 320 / 485 lm (3000K)
beam angles	diffused
CCT	3000K - 4000K
CRI	> 80
BIN selection	3 Step MacAdam

lifetime	L80 B10 50.000 h
body materials	transparent PMMA
screen	opal PMMA
side heads	aisi 316L stainless steel
seal	transparent silicone
installation	with outer case
power cable	0.4 m with fast connector
electrical connection	parallel
weight	550 / 1000 / 1470 g
protection system	IdroSkud® System _ polarity reversal protection _ voltage spikes protection _ water infiltration protection
made in	ITALY



LINEO 1.0 | 1.1 | 1.2

PRODUCT CODE CONFIGURATION

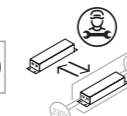
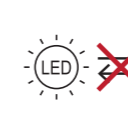


family	MIZAR LINEO
LNE	MIZAR LINEO
model	
00	LINEO - 510 mm
01	LINEO - 1010 mm
02	LINEO - 1510 mm
CCT	
D	3000 K
F	4000 K
CRI	
B	> 80
beam angles	
K	diffused
optionals	
O	nessuno
finishing	
00	opale
cable length	
A	0.4 m
variant	
00	standard

ACCESSORIES	PC wall outer case	PC plasterboard outer case	fixing bracket outer case	5-pole extension cable
	LNEZZZ000 (511 mm)	LNEZZZ003 (511 mm)	LNEZZZ024	LNEZZZ012 (0,5 m)
	LNEZZZ001 (1011 mm)	LNEZZZ004 (1011 mm)		LNEZZZ013 (1 m)
	LNEZZZ002 (1511 mm)	LNEZZZ005 (1511 mm)		LNEZZZ014 (1,5 m)
	LNEZZZ015 (5 m)	LNEZZZ016 (10 m)	LNEZZZ017 (15 m)	
	wall header outer case	plasterboard header outer case	joint brackets outer case	2-way 5-pole splitter
	LNEZZZ022	LNEZZZ023	LNEZZZ025	LNEZZZ019



This product contains a light source of energy efficiency **F** (data referring to models with CCT 3000K)



For correct code composition see instructions on page 151 of the catalogue or go to www.mizar.it



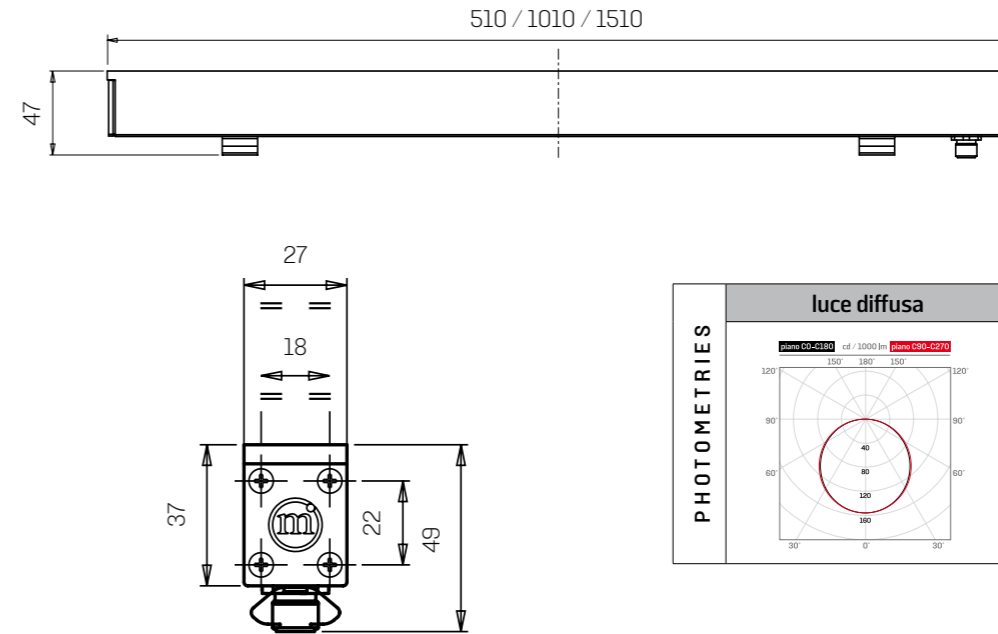


LINEO RGBW 2.0 | 2.1 | 2.2

Linear ingrounds luminaire, **drive-over**, suitable for **outdoor** environments (IP66/IP67), with operating temperature range: **-20°C / +50°C**.
The body is in **PMMA**, transparent and opal on the upper side; the heads is made with 316L stainless steel.
The light source consists of LEDs chip SMD3014 (4000K) and an SMD3528 Led (RGB) with a power of 12/24/36W, according to the length of the luminaire, powered at 24V constant voltage.
The luminous flux in various colour tones makes it **ideal** for **marking** out walkways and driveways, or create luminous cuts on walls and ceilings.
The **colour temperature** in White mode is 4000K; RGB tones are adjustable via an App on a smartphone if the recommended control unit is used.
Lineo is equipped with the **IdroSkud®** system for the protection of electronic components from voltage spikes, polarity reversal and water infiltration.
Accessories are provided for the installation (ground outer case and for plasterboard; extension cables up to 15 m).

power	12 / 24 / 36 W - chip Led SMD3014 (White) and chip Led SMD3528 (RGB)
power supply	24V constant voltage
insulation class	III class
IP rating	IP66 / IP67
IK rating	IK 10
operating temperature	-20°C / +50°C
size	27 x 49 x 510 / 1010 / 1510 mm
light source flux	423 / 846 / 1269 lm (4000K) 99 / 198 / 297 lm (R red) 337 / 674 / 1011 lm (G green) 79 / 158 / 237 lm (B blue)
effective flux	up to 85 / 170 / 250 lm (4000K) up to 20 / 46 / 70 lm (R red) up to 70 / 135 / 203 lm (G green) up to 18 / 32 / 48 lm (B blue)
beam angles	diffused
lifetime	L80 B10 50.000 h

CCT	RGBW (4000K)
CRI	> 80
BIN selection	3 step MacAdam
body materials	transparent PMMA
screen	opal PMMA
side heads	aisi 316L stainless steel
seal	transparent silicone
installation	with outer case
power cable	0.4 m with fast connector
electrical connection	paralle
weight	615 / 975 / 1320 g
protection system	IdroSkud® System _ polarity reversal protection _ voltage spikes protection _ water infiltration protection
made in	ITALY



LINEO RGBW
2.0|2.1|2.2
PRODUCT CODE
CONFIGURATION



family	MIZAR LINEO
LNE	MIZAR LINEO
model	
00	LINEO - 510 mm
01	LINEO - 1010 mm
02	LINEO - 1510 mm
CCT	
P	RGBW
CRI	
B	> 80
beam angles	
K	diffused
optionals	
O	nessuno
finishing	
00	opale
cable length	
A	0.4 m
variant	
00	standard

ACCESSORIES	PC wall outer case	PC plasterboard outer case	fixing bracket outer case	5-pole extension cable
	LNEZZZ000 (511 mm)	LNEZZZ003 (511 mm)	LNEZZZ024	LNEZZZ012 (0,5 m)
	LNEZZZ001 (1011 mm)	LNEZZZ004 (1011 mm)		LNEZZZ013 (1 m)
	LNEZZZ002 (1511 mm)	LNEZZZ005 (1511 mm)		LNEZZZ014 (1,5 m)
				LNEZZZ015 (5 m)
				LNEZZZ016 (10 m)
				LNEZZZ017 (15 m)
	wall header outer case	plasterboard header outer case	joint brackets outer case	2-way 5-pole splitter
	LNEZZZ022	LNEZZZ023	LNEZZZ025	LNEZZZ019



For correct code composition see instructions on page 151 of the catalogue or go to www.mizar.it

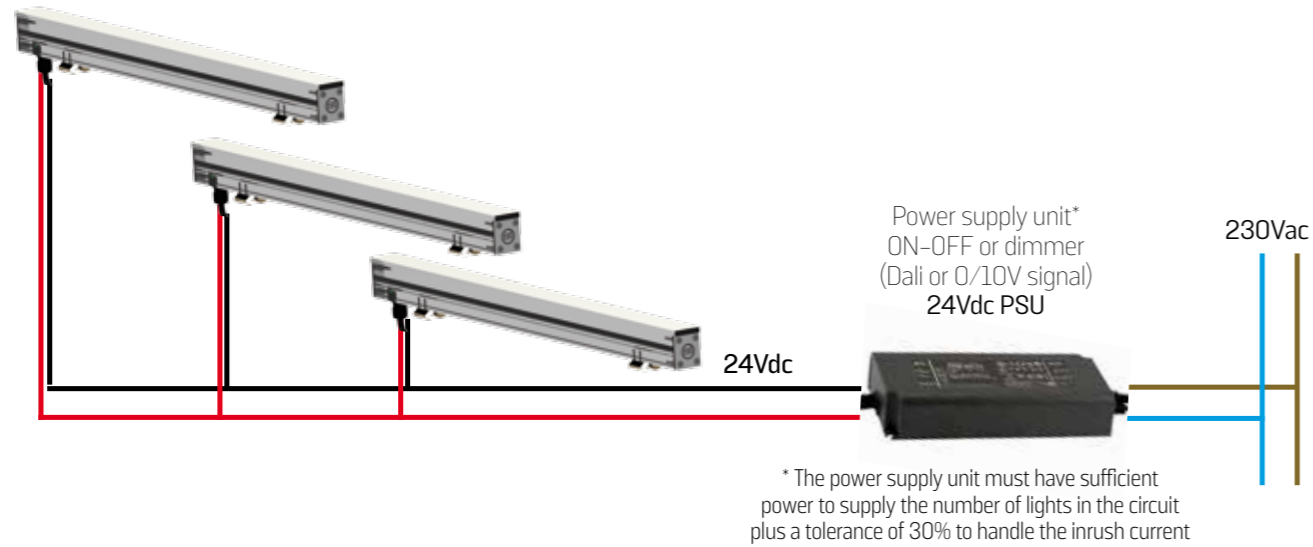




LINEO

PARALLEL ELECTRICAL CONNECTION

ON-OFF OR DIMMER SYSTEM (DALI OR 0-10V SIGNAL)



SUGGESTED POWER SUPPLY	code	CCT	OUT tension	output max	W max	IP	supported spotlight model	max meters	
	MID0028	RGBW	24Vdc	2.90 A max	70 W	IP67	Lineo 2.0-2.1-2.2 in combination with control unit MID0023	14 m	
		WHITE					LINEO 1.0 - 1.1 - 1.2	6 m	
	MID0029	WHITE	24Vdc	6,25 A max	150 W	IP67	LINEO 1.0 - 1.1 - 1.2	12 m	
	MID0030	WHITE	DALI 24Vdc	5 A max	120 W	IP67	LINEO 1.0 - 1.1 - 1.2	10 m	
	MID0031	WHITE	DALI 24Vdc	8,3 A max	200 W	IP67	LINEO 1.0 - 1.1 - 1.2	16 m	

RGBW CONTROLS	RGBW Telecontrol RT 4zone RF 2.4GHz	Wall touch panel RGBW 4zone	RGBW WT5 control unit 5 channels PWM/WIFI
	MID1000	MID1001	MID0023

