



OCEANO 4.2 DRIVE-OVER

OCEANO 4.2 AL-AL ROUND DRIVEOVER
ELL4000K -1,5M

Cod: **CEA10FCE000C00**



IdroSkud® protection system

- polarity reversal protection
- voltage spikes protection
- water infiltration protection



Protection class III

Designed to be supplied from a separated extra-low voltage (SELV) power supply



IP 66

Protected against powerful power jets, 100 liters per minute



IP 68 up to 10m

Protected against continuous immersion up to 10 meters



IK 09

Protected against impact of 10 J



High temperatures

Design to withstand temperatures up to +50° C



Driver-over

Fixture design to withstand a static load up to 20 kN



C5 - Very high

corrosion resistance level ISO 9223



Mizar warranty

5 years warranty



Technical description

Inground luminaire, drive-over, suitable for outdoor and underwater environments up to 10 m (IP66/IP68), with operating temperature range: -20°C / +50°C. To provide maximum versatility of application, the body can be made of aluminum or steel; the frame, aluminum or steel. The light source consists of a single 7W power Led chip powered at 24V constant voltage with integrated driver. The luminous flux makes it ideal for marking pedestrian paths or illuminating architectural details. The source is recessed for greater visual comfort. Color rendering index CRI > 90. Oceano is equipped with IdroSkud® system to protect electronic components from voltage spikes, polarity reversal and water infiltration. There are optionals for anti-glare (honeycomb and louvre) and installation accessories (drive-over outercase).

Lighting data

Source type	single chip power LED	Photobiological risk	RG0
CCT	4000K	ULR	100.00%
CRI	> 90	BUG Rating	B0 U1 G0
MacAdam (SDCM)	2	CIE Flux Code	0 0 0 0 100
Source lumen output (lm)	445	LED lifetime	L80 B10 50.000h
Luminaire lumen output (lm)	348	Efficiency class	This product contains a light source of energy efficiency class (EU2019/2015): G
Light emission	Elliptical		
Beam angle	15°x60°		

Mechanical data

Diameter (mm)	125	Diffuser thickness (mm)	8
Height (mm)	114	Class ISO 9223	C5
Weight (g)	720	Optic type	Technopolymer TIR Lens
IP Rating	IP66 / IP68 10m	Optical optional	None
IK rating	IK09	Maximal working temperature	+50° C
Shape	Round	Minimal working temperature	-20° C
Finishing colour	Aluminium / Aluminium	Maximal static load (kN)	20
Frame material	Anodized 20u aluminum anticorodal 6082, Anodized 20u aluminum anticorodal 6082	Walk-over	Yes
Body material	Alluminio anodizzato 20u anticorodal 6082, Anodized 20u aluminum anticorodal 6082	Driver-over	Yes
External screws material	Stainless steel 316L (A4)	Maximal surface temperature	+50° C
Diffuser material	Extraclear tempered glass	Areas EN 60598-2-13	A1 / A2 / A3 / A4

Electrical data

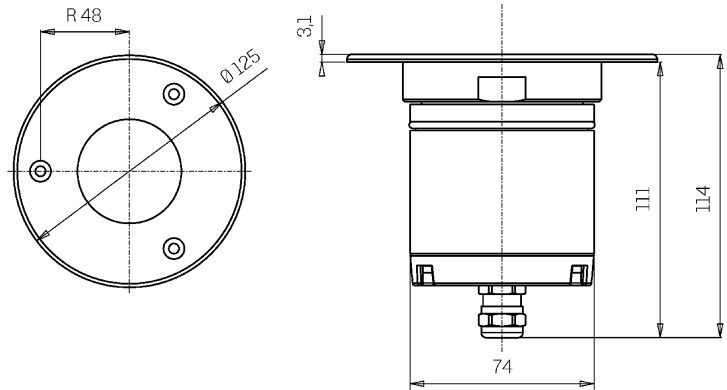
Nominal power (W)	7	Electrical connection	Parallel connection
Power supply (input power type)	Costant voltage - 24V	Idroskud® protection	Yes
Ballast	Remote	Inverse polarity protection	Yes
Insulation class	III	Voltage spikes protection	Yes
Dimmable	Yes		
Power cable type	H05RN - F 2x0,75 mm ²		
Power cable length	1,5 m		

Photometry

15° x 60°



Technical drawing



Accessories



DIMMABLE POWER SUPPLY

Power supply 220/240 50/60Hz ON/OFF
24V 24W IP67 DALI
Cod: MID0021



NOT DIMMABLE POWER SUPPLY

Power supply 220/240 50/60Hz ON/OFF
24V 14,4W IP67
Cod: MID0019



NOT DIMMABLE POWER SUPPLY

Power supply 220/240 50/60Hz ON/OFF
24V 36W IP67
Cod: MID0020



DRIVE-OVER OUTERCASE

Outercase drive-over OCEANO 4
Cod: CEAZZ013