



OCEANO 4.2 DRIVE-OVER

OCEANO 4.2 ST-ST ROUND DRIVEOVER
20°3000K -0,4M

Cod: **CEA10DCM001A00**



IdroSkud® protection system
- polarity reversal protection
- voltage spikes protection
- water infiltration protection



Protection class III
Designed to be supplied from a separated extra-low voltage (SELV) power supply



IP 66
Protected against powerful power jets, 100 liters per minute



IP 68 up to 10m
Protected against continuous immersion up to 10 meters



IK 09
Protected against impact of 10 J



High temperatures
Design to withstand temperatures up to +50° C



Driver-over
Fixture design to withstand a static load up to 20 kN



CX - Extreme
corrosion resistance level ISO 9223



Mizar warranty
5 years warranty



Technical description

Inground luminaire, drive-over, suitable for outdoor and underwater environments up to 10 m (IP66/IP68), with operating temperature range: -20°C / +50°C. To provide maximum versatility of application, the body can be made of aluminum or steel; the frame, aluminum or steel. The light source consists of a single 7W power Led chip powered at 24V constant voltage with integrated driver. The luminous flux makes it ideal for marking pedestrian paths or illuminating architectural details. The source is recessed for greater visual comfort. Color rendering index CRI > 90. Oceano is equipped with IdroSkud® system to protect electronic components from voltage spikes, polarity reversal and water infiltration. There are optionals for anti-glare (honeycomb and louvre) and installation accessories (drive-over outercase).

Lighting data

| | | | |
|-----------------------------|-----------------------|----------------------|----------------------------------------------------------------------------------|
| Source type | single chip power LED | Photobiological risk | RG0 |
| CCT | 3000K | ULR | 100.00% |
| CRI | > 90 | BUG Rating | B0 U1 G0 |
| MacAdam (SDCM) | 2 | CIE Flux Code | 0 0 0 0 100 |
| Source lumen output (lm) | 445 | LED lifetime | L80 B10 50.000h |
| Luminaire lumen output (lm) | 351 | Efficiency class | This product contains a light source of energy efficiency class (EU2019/2015): G |
| Light emission | Medium | | |
| Beam angle | 20° | | |

Mechanical data

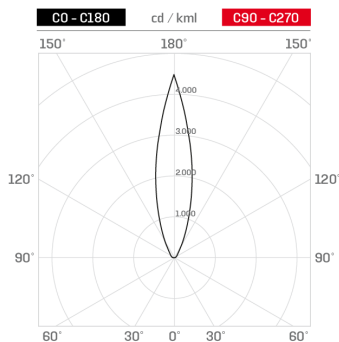
| | | | |
|--------------------------|---------------------------|-----------------------------|------------------------|
| Diameter (mm) | 125 | Diffuser thickness (mm) | 8 |
| Height (mm) | 114 | Class ISO 9223 | CX |
| Weight (g) | 1774 | Optic type | Technopolymer TIR Lens |
| IP Rating | IP66 / IP68 10m | Optical optional | None |
| IK rating | IK09 | Maximal working temperature | +50° C |
| Shape | Round | Minimal working temperature | -20° C |
| Finishing colour | Steel / Steel | Maximal static load (kN) | 20 |
| Frame material | Stainless steel 316L | Walk-over | Yes |
| Body material | Stainless steel 316L | Driver-over | Yes |
| External screws material | Stainless steel 316L (A4) | Maximal surface temperature | +50° C |
| Diffuser material | Extraclear tempered glass | Areas EN 60598-2-13 | A1 / A2 / A3 / A4 |

Electrical data

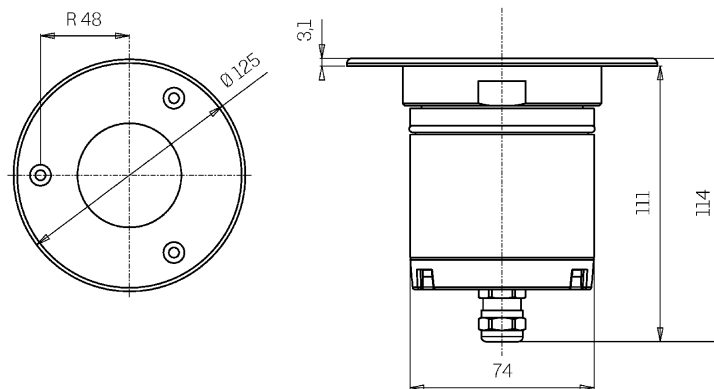
| | | | |
|---------------------------------|----------------------------------|-----------------------------|---------------------|
| Nominal power (W) | 7 | Electrical connection | Parallel connection |
| Power supply (input power type) | Constant voltage - 24V | Idroskud® protection | Yes |
| Ballast | Remote | Inverse polarity protection | Yes |
| Insulation class | III | Voltage spikes protection | Yes |
| Dimmable | Yes | | |
| Power cable type | H05RN - F 2x0,75 mm ² | | |
| Power cable length | 0,4 m | | |

Photometry

20°



Technical drawing



Accessories



DIMMABLE POWER SUPPLY

Power supply 220/240 50/60Hz ON/OFF
24V 24W IP67 DALI

Cod: MID0021



NOT DIMMABLE POWER SUPPLY

Power supply 220/240 50/60Hz ON/OFF
24V 14,4W IP67

Cod: MID0019



NOT DIMMABLE POWER SUPPLY

Power supply 220/240 50/60Hz ON/OFF
24V 36W IP67

Cod: MID0020



DRIVE-OVER OUTERCASE

Outercase drive-over OCEANO 4

Cod: CEAZZ013