



# OCEANO 4.2 DRIVE-OVER

OCEANO 4.2 ST-ST ROUND DRIVEOVER  
ELL2700K HONEYCOMB-0,4M

Cod: **CEA10CCE101A00**



**IdroSkud® protection system**  
- polarity reversal protection  
- voltage spikes protection  
- water infiltration protection



**Protection class III**  
Designed to be supplied from a separated extra-low voltage (SELV) power supply



**IP 66**  
Protected against powerful power jets, 100 liters per minute



**IP 68 up to 10m**  
Protected against continuous immersion up to 10 meters



**IK 09**  
Protected against impact of 10 J



**High temperatures**  
Design to withstand temperatures up to +50° C



**Driver-over**  
Fixture design to withstand a static load up to 20 kN



**CX - Extreme**  
corrosion resistance level ISO 9223



**Mizar warranty**  
5 years warranty



## Technical description

Inground luminaire, drive-over, suitable for outdoor and underwater environments up to 10 m (IP66/IP68), with operating temperature range: -20°C / +50°C. To provide maximum versatility of application, the body can be made of aluminum or steel; the frame, aluminum or steel. The light source consists of a single 7W power Led chip powered at 24V constant voltage with integrated driver. The luminous flux makes it ideal for marking pedestrian paths or illuminating architectural details. The source is recessed for greater visual comfort. Color rendering index CRI > 90. Oceano is equipped with IdroSkud® system to protect electronic components from voltage spikes, polarity reversal and water infiltration. There are optionals for anti-glare (honeycomb and louvre) and installation accessories (drive-over outercase).

### Lighting data

|                             |                       |                      |  |
|-----------------------------|-----------------------|----------------------|--|
| Source type                 | single chip power LED | Photobiological risk | RG0  |
| CCT                         | 2700K                 | ULR                  | 100.00%  |
| CRI                         | > 90                  | BUG Rating           | B0 U1 G0   |
| MacAdam (SDCM)              | 2                     | CIE Flux Code        | 0 0 0 0 100  |
| Source lumen output (lm)    | 445                   | LED lifetime         | L80 B10 50.000h  |
| Luminaire lumen output (lm) | 313                   | Efficiency class     | This product contains a light source of energy efficiency class (EU2019/2015): G |
| Light emission              | Elliptical            |                      |  |
| Beam angle                  | 15°x60°               |                      |  |

### Mechanical data

|                          |                           |                             |                        |
|--------------------------|---------------------------|-----------------------------|------------------------|
| Diameter (mm)            | 125                       | Diffuser thickness (mm)     | 8                      |
| Height (mm)              | 114                       | Class ISO 9223              | CX                     |
| Weight (g)               | 1774                      | Optic type                  | Technopolymer TIR Lens |
| IP Rating                | IP66 / IP68 10m           | Optical optional            | Honeycomb              |
| IK rating                | IK09                      | Maximal working temperature | +50° C                 |
| Shape                    | Round                     | Minimal working temperature | -20° C                 |
| Finishing colour         | Steel / Steel             | Maximal static load (kN)    | 20                     |
| Frame material           | Stainless steel 316L      | Walk-over                   | Yes                    |
| Body material            | Stainless steel 316L      | Driver-over                 | Yes                    |
| External screws material | Stainless steel 316L (A4) | Maximal surface temperature | +50° C                 |
| Diffuser material        | Extraclear tempered glass | Areas EN 60598-2-13         | A1 / A2 / A3 / A4      |

### Electrical data

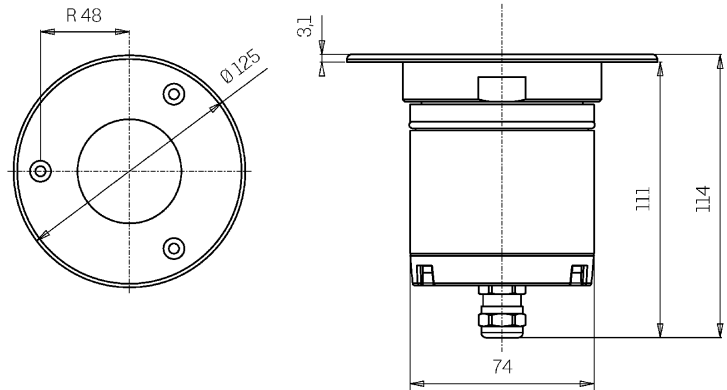
|                                 |                                  |                             |                     |
|---------------------------------|----------------------------------|-----------------------------|---------------------|
| Nominal power (W)               | 7                                | Electrical connection       | Parallel connection |
| Power supply (input power type) | Costant voltage - 24V            | Idroskud® protection        | Yes                 |
| Ballast                         | Remote                           | Inverse polarity protection | Yes                 |
| Insulation class                | III                              | Voltage spikes protection   | Yes                 |
| Dimmable                        | Yes                              |                             |                     |
| Power cable type                | H05RN - F 2x0,75 mm <sup>2</sup> |                             |                     |
| Power cable length              | 0,4 m                            |                             |                     |

Photometry

15° x 60°



Technical drawing



Accessories



**DIMMABLE POWER SUPPLY**

Power supply 220/240 50/60Hz ON/OFF  
24V 24W IP67 DALI  
Cod: MID0021



**NOT DIMMABLE POWER SUPPLY**

Power supply 220/240 50/60Hz ON/OFF  
24V 14,4W IP67  
Cod: MID0019



**NOT DIMMABLE POWER SUPPLY**

Power supply 220/240 50/60Hz ON/OFF  
24V 36W IP67  
Cod: MID0020



**DRIVE-OVER OUTERCASE**

Outercase drive-over OCEANO 4  
Cod: CEAZZ013