



# OCEANO 4.0

OCEANO 4.0 ST-BR ROUND 5° 4000K  
LOUVRE-5M

Cod: **CEA08FCS203H00**



#### IdroSkud® protection system

- polarity reversal protection
- voltage spikes protection
- water infiltration protection



#### Protection class III

Designed to be supplied from a separated extra-low voltage (SELV) power supply



#### IP 66

Protected against powerful power jets, 100 liters per minute



#### IP 68 up to 10m

Protected against continuous immersion up to 10 meters



#### IK 09

Protected against impact of 10 J



#### High temperatures

Design to withstand temperatures up to +50° C



#### Walk-over

Fixture design to withstand a static load up to 5 kN



#### CX - Extreme

corrosion resistance level ISO 9223



#### Mizar warranty

5 years warranty



## Technical description

Inground luminaire, walk-over, suitable for outdoor and underwater environments up to 10 m (IP66/IP68), with operating temperature range: -20°C / +50°C. To provide maximum versatility of application, the body can be made of aluminum or steel; the frame, aluminum, steel or brass. The light source consists of a single 7W power Led chip powered at 24V constant voltage with integrated driver. The luminous flux makes it ideal for marking pedestrian paths or illuminating architectural details. The source is recessed for greater visual comfort. Color rendering index CRI > 90. Oceano is equipped with IdroSkud® system to protect electronic components from voltage spikes, polarity reversal and water infiltration. There are optionals for anti-glare (honeycomb and louvre) and installation accessories (draining and waterproof outercase and spring for ceiling attachment).

### Lighting data

Source type	single chip power LED	Photobiological risk	RG0
CCT	4000K	ULR	100.00%
CRI	> 90	BUG Rating	B0 U1 G0
MacAdam (SDCM)	2	CIE Flux Code	0 0 0 0 100
Source lumen output (lm)	445	LED lifetime	L80 B10 50.000h
Luminaire lumen output (lm)	334	Efficiency class	This product contains a light source of energy efficiency class (EU2019/2015): G
Light emission	Narrow		
Beam angle	5°		

### Mechanical data

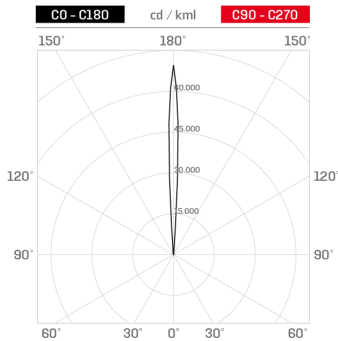
Diameter (mm)	90	Diffuser thickness (mm)	8
Height (mm)	114	Class ISO 9223	CX
Weight (g)	1530	Optic type	Technopolymer TIR Lens
IP Rating	IP66 / IP68 10m	Optical optional	Louvre
IK rating	IK09	Maximal working temperature	+50° C
Shape	Round	Minimal working temperature	-20° C
Finishing colour	Steel / Brass	Maximal static load (kN)	5
Frame material	Brass	Walk-over	Yes
Body material	Stainless steel 316L	Driver-over	No
External screws material	Stainless steel 316L (A4)	Maximal surface temperature	+50° C
Diffuser material	Extraclear tempered glass	Areas EN 60598-2-13	A1 / A2

### Electrical data

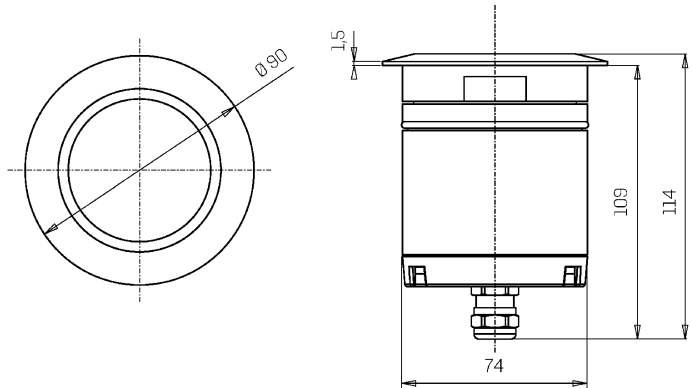
Nominal power (W)	7	Electrical connection	Parallel connection
Power supply (input power type)	Costant voltage - 24V	Idroskud® protection	Yes
Ballast	Remote	Inverse polarity protection	Yes
Insulation class	III	Voltage spikes protection	Yes
Dimmable	Yes		
Power cable type	H05RN - F 2x0,75 mm <sup>2</sup>		
Power cable length	5 m		

Photometry

5°



Technical drawing



Accessories



**DRAINING OUTERCASE**

Outercase draining OCEANO 4

Cod: CEAZZ010



**SLIM DRAINING OUTERCASE**

Outercase draining slim OCEANO 4

Cod: CEAZZ011



**SLIM WATER-PROOF OUTERCASE**

Outercase waterproof slim OCEANO 4

Cod: CEAZZ012



**NOT DIMMABLE POWER SUPPLY**

Power supply 220/240 50/60Hz ON/OFF  
24V 14,4W IP67

Cod: MID0019



**NOT DIMMABLE POWER SUPPLY**

Power supply 220/240 50/60Hz ON/OFF  
24V 36W IP67

Cod: MID0020



**DIMMABLE POWER SUPPLY**

Power supply 220/240 50/60Hz ON/OFF  
24V 24W IP67 DALI

Cod: MID0021