



OCEANO 3.1

OCEANO 3.1 AL-BR SQUARE ELL 3000K
HONEYCOMB-5M

Cod: **CEA05DCE102H00**



IdroSkud® protection system

- polarity reversal protection
- voltage spikes protection
- water infiltration protection



Protection class III

Designed to be supplied from a separated extra-low voltage (SELV) power supply



IP 66

Protected against powerful power jets, 100 liters per minute



IP 68 up to 10m

Protected against continuous immersion up to 10 meters



IK 10

Protected against impact of 20 J



High temperatures

Design to withstand temperatures up to +50° C



Walk-over

Fixture design to withstand a static load up to 5 kN



CX - Extreme

corrosion resistance level ISO 9223



Mizar warranty

5 years warranty

Technical description

Inground luminaire, walk-over, suitable for outdoor and underwater environments up to 10 m (IP66/IP68), with operating temperature range: -20°C / +50°C. To provide maximum versatility of application, the body can be made of aluminum or steel; the frame, aluminum, steel or brass. The light source consists of a single 3W power Led chip powered at 24V constant voltage with integrated driver. The luminous flux makes it ideal for marking pedestrian paths or illuminating architectural details. The source is recessed for greater visual comfort. Color rendering index CRI > 90. Oceano is equipped with IdroSkud® system to protect electronic components from voltage spikes, polarity reversal and water infiltration. There are optionals for anti-glare (honeycomb and louvre) and installation accessories (draining and waterproof outercase and spring for ceiling attachment).

Lighting data

| | | | |
|-----------------------------|-----------------------|----------------------|--|
| Source type | single chip power LED | Photobiological risk | RG0 |
| CCT | 3000K | ULR | 100.00% |
| CRI | > 90 | BUG Rating | B0 U1 G0 |
| MacAdam (SDCM) | 2 | CIE Flux Code | 0 0 0 0 100 |
| Source lumen output (lm) | 236 | LED lifetime | L80 B10 50.000h |
| Luminaire lumen output (lm) | 151 | Efficiency class | This product contains a light source of energy efficiency class (EU2019/2015): F |
| Light emission | Elliptical | | |
| Beam angle | 10°x45° | | |

Mechanical data

| | | | |
|--------------------------|---|-----------------------------|------------------------|
| Width (mm) | 60 | Diffuser thickness (mm) | 8 |
| Length (mm) | 60 | Class ISO 9223 | CX |
| Height (mm) | 93 | Optic type | Technopolymer TIR Lens |
| Weight (g) | 350 | Optical optional | Honeycomb |
| IP Rating | IP66 / IP68 10m | Maximal working temperature | +50° C |
| IK rating | IK10 | Minimal working temperature | -20° C |
| Shape | Square | Maximal static load (kN) | 5 |
| Finishing colour | Aluminium / Brass | Walk-over | Yes |
| Frame material | Brass | Driver-over | No |
| Body material | Alluminio anodizzato 20u anticorodal 6082, Anodized 20u aluminum anticorodal 6082 | Maximal surface temperature | +50° C |
| External screws material | Stainless steel 316L (A4) | Areas EN 60598-2-13 | A1 / A2 |
| Diffuser material | Extraclear tempered glass | | |

Electrical data

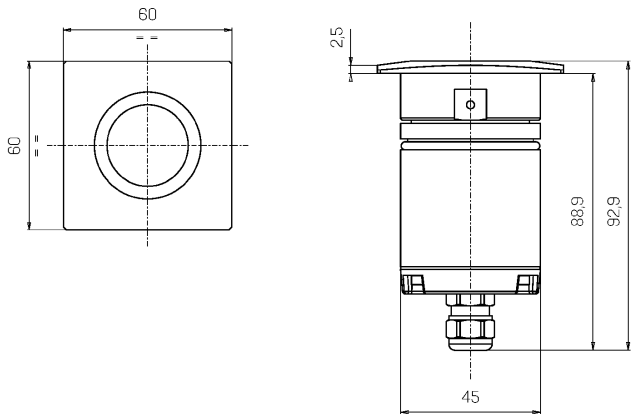
| | | | |
|---------------------------------|----------------------------------|-----------------------------|---------------------|
| Nominal power (W) | 3 | Electrical connection | Parallel connection |
| Power supply (input power type) | Costant voltage - 24V | Idroskud® protection | Yes |
| Ballast | Remote | Inverse polarity protection | Yes |
| Insulation class | III | Voltage spikes protection | Yes |
| Dimmable | Yes | | |
| Power cable type | H05RN - F 2x0,75 mm ² | | |
| Power cable length | 5 m | | |

Photometry

10° x 45°



Technical drawing



Accessories



DRAINING OUTERCASE

Outercase draining OCEANO 3

Cod: CEAZZ006



SLIM DRAINING OUTERCASE

Outercase draining slim OCEANO 3

Cod: CEAZZ007



SLIM WATER-PROOF OUTERCASE

Outercase waterproof slim OCEANO 3

Cod: CEAZZ008



NOT DIMMABLE POWER SUPPLY

Power supply 220/240 50/60Hz ON/OFF
24V 14,4W IP67

Cod: MID0019



NOT DIMMABLE POWER SUPPLY

Power supply 220/240 50/60Hz ON/OFF
24V 36W IP67

Cod: MID0020



DIMMABLE POWER SUPPLY

Power supply 220/240 50/60Hz ON/OFF
24V 24W IP67 DALI

Cod: MID0021