



OCEANO 1.1

OCEANO 1.1 ST-ST SQUARE ELL 3000K
-15M

Cod: **CEA01DCE001P00**



IdroSkud® protection system

- polarity reversal protection
- voltage spikes protection
- water infiltration protection



Protection class III

Designed to be supplied from a separated extra-low voltage (SELV) power supply



IP 66

Protected against powerful power jets, 100 liters per minute



IP 68

Protected against continuous immersion up to 3 meters



IK 09

Protected against impact of 10 J



High temperatures

Design to withstand temperatures up to +50° C



Walk-over

Fixture design to withstand a static load up to 5 kN



CX - Extreme

corrosion resistance level ISO 9223



Mizar warranty

5 years warranty



Technical description

Inground luminaire, walk-over, suitable for outdoor environments (IP66/IP68), with operating temperature range: -20°C / +50°C. To provide maximum versatility of application, the body can be made of aluminum or steel; the frame, aluminum, steel or brass. The light source consists of a single 1W power Led chip powered at 24V constant voltage with integrated driver. The luminous flux makes it ideal for tracing pedestrian paths or achieving a starry ceiling effect, thanks to the different emission angles. The source is set back for greater visual comfort. Color rendering index CRI > 90. Oceano is equipped with IdroSkud® system to protect electronic components from voltage spikes, polarity reversal and water infiltration. Installation accessories (draining and waterproof outercase and plasterboard spring) are provided.

Lighting data

Source type	single chip power LED	Photobiological risk	RG0
CCT	3000K	ULR	100.00%
CRI	> 90	BUG Rating	B0 U1 G0
MacAdam (SDCM)	2	CIE Flux Code	0 0 0 0 100
Source lumen output (lm)	126	LED lifetime	L80 B10 50.000h
Luminaire lumen output (lm)	62	Efficiency class	This product contains a light source of energy efficiency class (EU2019/2015): E
Light emission	Elliptical		
Beam angle	20°x43°		

Mechanical data

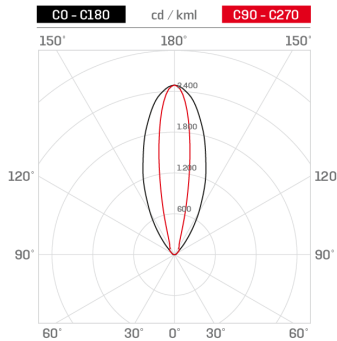
Width (mm)	29	Diffuser thickness (mm)	4
Length (mm)	29	Class ISO 9223	CX
Height (mm)	44	Optic type	Technopolymer TIR Lens
Weight (g)	99	Optical optional	None
IP Rating	IP66 / IP68	Maximal working temperature	+50° C
IK rating	IK09	Minimal working temperature	-20° C
Shape	Square	Maximal static load (kN)	5
Finishing colour	Steel / Steel	Walk-over	Yes
Frame material	Stainless steel 316L	Driver-over	No
Body material	Stainless steel 316L	Maximal surface temperature	+50° C
External screws material	Stainless steel 316L (A4)	Areas EN 60598-2-13	A1 / A2
Diffuser material	Extraclear tempered glass		

Electrical data

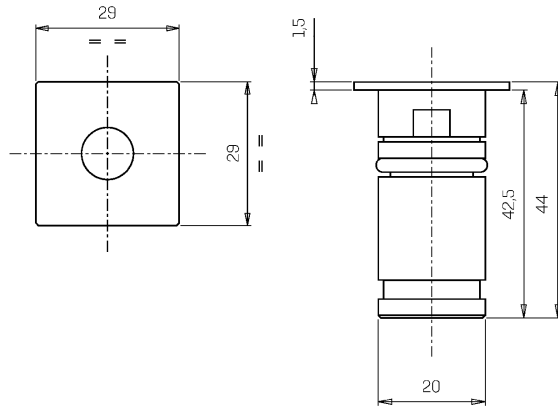
Nominal power (W)	1	Electrical connection	Parallel connection
Power supply (input power type)	Costant voltage - 24V	Idroskud® protection	Yes
Ballast	Remote	Inverse polarity protection	Yes
Insulation class	III	Voltage spikes protection	Yes
Dimmable	Yes		
Power cable type	FR5FOEM7 - AD8 2x0,5 mm ²		
Power cable length	15 m (check voltage drop), 15 m (verify voltage drop)		

Photometry

20° x 43°



Technical drawing



Accessories



DRAINING OUTERCASE

Outercase draining OCEANO 1

Cod: CEAZZ000



SLIM DRAINING OUTERCASE

Outercase draining slim OCEANO 1

Cod: CEAZZ001



SLIM WATER-PROOF OUTERCASE

Outercase waterproof slim OCEANO 1

Cod: CEAZZ002



SPRING FOR CEILING MOUNTING

Spring for ceiling mounting OCEANO 1

Cod: CEAZZ014



NOT DIMMABLE POWER SUPPLY

Power supply 220/240 50/60Hz ON/OFF
24V 14,4W IP67

Cod: MID0019



NOT DIMMABLE POWER SUPPLY

Power supply 220/240 50/60Hz ON/OFF
24V 36W IP67

Cod: MID0020



DIMMABLE POWER SUPPLY

Power supply 220/240 50/60Hz ON/OFF
24V 24W IP67 DALI

Cod: MID0021