



# OCEANO 1.1

OCEANO 1.1 AL-AL SQUARE ELL 3000K  
-1,5M

Cod: **CEA01DCE000C00**



#### IdroSkud® protection system

- polarity reversal protection
- voltage spikes protection
- water infiltration protection



#### Protection class III

Designed to be supplied from a separated extra-low voltage (SELV) power supply



#### IP 66

Protected against powerful power jets, 100 liters per minute



#### IP 68

Protected against continuous immersion up to 3 meters



#### IK 09

Protected against impact of 10 J



#### High temperatures

Design to withstand temperatures up to +50° C



#### Walk-over

Fixture design to withstand a static load up to 5 kN



#### C5 - Very high

corrosion resistance level ISO 9223



#### Mizar warranty

5 years warranty



## Technical description

Inground luminaire, walk-over, suitable for outdoor environments (IP66/IP68), with operating temperature range: -20°C / +50°C. To provide maximum versatility of application, the body can be made of aluminum or steel; the frame, aluminum, steel or brass. The light source consists of a single 1W power Led chip powered at 24V constant voltage with integrated driver. The luminous flux makes it ideal for tracing pedestrian paths or achieving a starry ceiling effect, thanks to the different emission angles. The source is set back for greater visual comfort. Color rendering index CRI > 90. Oceano is equipped with IdroSkud® system to protect electronic components from voltage spikes, polarity reversal and water infiltration. Installation accessories (draining and waterproof outercase and plasterboard spring) are provided.

### Lighting data

Source type	single chip power LED	Photobiological risk	RG0
CCT	3000K	ULR	100.00%
CRI	> 90	BUG Rating	B0 U1 G0
MacAdam (SDCM)	2	CIE Flux Code	0 0 0 0 100
Source lumen output (lm)	126	LED lifetime	L80 B10 50.000h
Luminaire lumen output (lm)	62	Efficiency class	This product contains a light source of energy efficiency class (EU2019/2015): E
Light emission	Elliptical		
Beam angle	20°x43°		

### Mechanical data

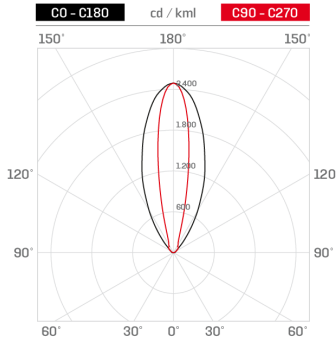
Width (mm)	29	Diffuser thickness (mm)	4
Length (mm)	29	Class ISO 9223	C5
Height (mm)	44	Optic type	Technopolymer TIR Lens
Weight (g)	46	Optical optional	None
IP Rating	IP66 / IP68	Maximal working temperature	+50° C
IK rating	IK09	Minimal working temperature	-20° C
Shape	Square	Maximal static load (kN)	5
Finishing colour	Aluminium / Aluminium	Walk-over	Yes
Frame material	Anodized 20u aluminum anticorodal 6082, Anodized 20u aluminum anticorodal 6082	Driver-over	No
Body material	Alluminio anodizzato 20u anticorodal 6082, Anodized 20u aluminum anticorodal 6082	Maximal surface temperature	+50° C
		Areas EN 60598-2-13	A1 / A2

### Electrical data

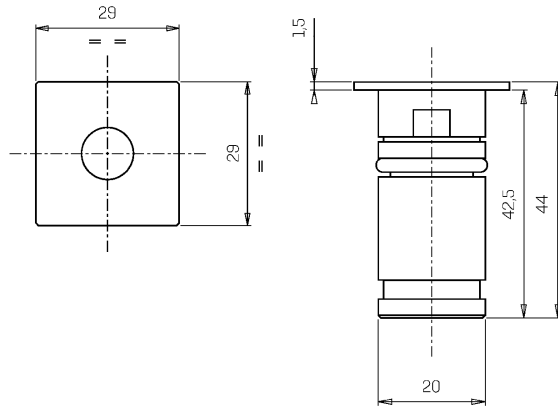
External screw material	Stainless steel 316L (A4)	Electrical connection	Parallel connection
Diffuser material	Extraclear tempered glass	Idroskud® protection	Yes
Nominal power (W)	1	Inverse polarity protection	Yes
Power supply (input power type)	Costant voltage - 24V	Voltage spikes protection	Yes
Ballast	Remote		
Insulation class	III		
Dimmable	Yes		
Power cable type	FR5FOEM7 - AD8 2x0,5 mm <sup>2</sup>		
Power cable length	1,5 m		

Photometry

20° x 43°



Technical drawing



Accessories



**DRAINING OUTERCASE**

Outercase draining OCEANO 1

Cod: CEAZZ000



**SLIM DRAINING OUTERCASE**

Outercase draining slim OCEANO 1

Cod: CEAZZ001



**SLIM WATER-PROOF OUTERCASE**

Outercase waterproof slim OCEANO 1

Cod: CEAZZ002



**SPRING FOR CEILING MOUNTING**

Spring for ceiling mounting OCEANO 1

Cod: CEAZZ014



**NOT DIMMABLE POWER SUPPLY**

Power supply 220/240 50/60Hz ON/OFF  
24V 14,4W IP67

Cod: MID0019



**NOT DIMMABLE POWER SUPPLY**

Power supply 220/240 50/60Hz ON/OFF  
24V 36W IP67

Cod: MID0020



**DIMMABLE POWER SUPPLY**

Power supply 220/240 50/60Hz ON/OFF  
24V 24W IP67 DALI

Cod: MID0021