



# OCEANO 1.1

OCEANO 1.1 AL-BR SQUARE 25° 2700K  
-5M

Cod: **CEA01CCM002H00**



#### IdroSkud® protection system

- polarity reversal protection
- voltage spikes protection
- water infiltration protection



#### Protection class III

Designed to be supplied from a separated extra-low voltage (SELV) power supply



#### IP 66

Protected against powerful power jets, 100 liters per minute



#### IP 68

Protected against continuous immersion up to 3 meters



#### IK 09

Protected against impact of 10 J



#### High temperatures

Design to withstand temperatures up to +50° C



#### Walk-over

Fixture design to withstand a static load up to 5 kN



#### CX - Extreme

corrosion resistance level ISO 9223



#### Mizar warranty

5 years warranty



## Technical description

Inground luminaire, walk-over, suitable for outdoor environments (IP66/IP68), with operating temperature range: -20°C / +50°C. To provide maximum versatility of application, the body can be made of aluminum or steel; the frame, aluminum, steel or brass. The light source consists of a single 1W power Led chip powered at 24V constant voltage with integrated driver. The luminous flux makes it ideal for tracing pedestrian paths or achieving a starry ceiling effect, thanks to the different emission angles. The source is set back for greater visual comfort. Color rendering index CRI > 90. Oceano is equipped with IdroSkud® system to protect electronic components from voltage spikes, polarity reversal and water infiltration. Installation accessories (draining and waterproof outercase and plasterboard spring) are provided.

### Lighting data

|                             |                       |                      |  |
|-----------------------------|-----------------------|----------------------|--|
| Source type                 | single chip power LED | Photobiological risk | RG0  |
| CCT                         | 2700K                 | ULR                  | 100.00%  |
| CRI                         | > 90                  | BUG Rating           | B0 U1 G0   |
| MacAdam (SDCM)              | 2                     | CIE Flux Code        | 0 0 0 0 100  |
| Source lumen output (lm)    | 126                   | LED lifetime         | L80 B10 50.000h  |
| Luminaire lumen output (lm) | 64                    | Efficiency class     | This product contains a light source of energy efficiency class (EU2019/2015): E |
| Light emission              | Medium                |                      |  |
| Beam angle                  | 25°                   |                      |  |

### Mechanical data

|                          |   |                             |                        |
|--------------------------|---|-----------------------------|------------------------|
| Width (mm)               | 29  | Diffuser thickness (mm)     | 4                      |
| Length (mm)              | 29  | Class ISO 9223              | CX                     |
| Height (mm)              | 44  | Optic type                  | Technopolymer TIR Lens |
| Weight (g)               | 54  | Optical optional            | None                   |
| IP Rating                | IP66 / IP68   | Maximal working temperature | +50° C                 |
| IK rating                | IK09  | Minimal working temperature | -20° C                 |
| Shape                    | Square  | Maximal static load (kN)    | 5                      |
| Finishing colour         | Aluminium / Brass   | Walk-over                   | Yes                    |
| Frame material           | Brass   | Driver-over                 | No                     |
| Body material            | Alluminio anodizzato 20u anticorodal 6082, Anodized 20u aluminum anticorodal 6082 | Maximal surface temperature | +50° C                 |
| External screws material | Stainless steel 316L (A4)   | Areas EN 60598-2-13         | A1 / A2                |
| Diffuser material        | Extraclear tempered glass   |                             |                        |

### Electrical data

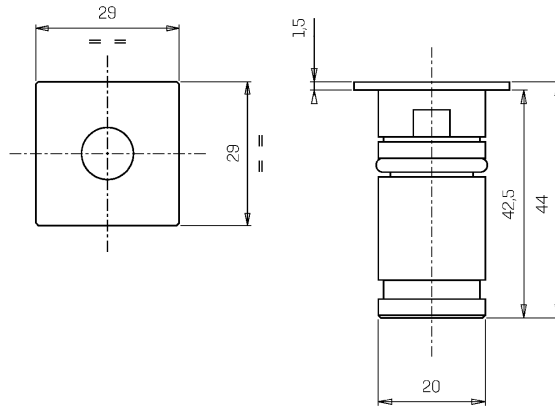
|                                 |                                      |                             |                     |
|---------------------------------|--------------------------------------|-----------------------------|---------------------|
| Nominal power (W)               | 1                                    | Electrical connection       | Parallel connection |
| Power supply (input power type) | Costant voltage - 24V                | Idroskud® protection        | Yes                 |
| Ballast                         | Remote                               | Inverse polarity protection | Yes                 |
| Insulation class                | III                                  | Voltage spikes protection   | Yes                 |
| Dimmable                        | Yes                                  |                             |                     |
| Power cable type                | FR5FOEM7 - AD8 2x0,5 mm <sup>2</sup> |                             |                     |
| Power cable length              | 5 m                                  |                             |                     |

Photometry

25°



Technical drawing



Accessories



**DRAINING OUTERCASE**

Outercase draining OCEANO 1

Cod: CEAZZ000



**SLIM DRAINING OUTERCASE**

Outercase draining slim OCEANO 1

Cod: CEAZZ001



**SLIM WATER-PROOF OUTERCASE**

Outercase waterproof slim OCEANO 1

Cod: CEAZZ002



**SPRING FOR CEILING MOUNTING**

Spring for ceiling mounting OCEANO 1

Cod: CEAZZ014



**NOT DIMMABLE POWER SUPPLY**

Power supply 220/240 50/60Hz ON/OFF  
24V 14,4W IP67

Cod: MID0019



**NOT DIMMABLE POWER SUPPLY**

Power supply 220/240 50/60Hz ON/OFF  
24V 36W IP67

Cod: MID0020



**DIMMABLE POWER SUPPLY**

Power supply 220/240 50/60Hz ON/OFF  
24V 24W IP67 DALI

Cod: MID0021