



OCEANO 1.1

OCEANO 1.1 AL-AL SQUARE 25° 2700K
-1,5M

Cod: **CEA01CCM000C00**



IdroSkud® protection system

- polarity reversal protection
- voltage spikes protection
- water infiltration protection



Protection class III

Designed to be supplied from a separated extra-low voltage (SELV) power supply



IP 66

Protected against powerful power jets, 100 liters per minute



IP 68

Protected against continuous immersion up to 3 meters



IK 09

Protected against impact of 10 J



High temperatures

Design to withstand temperatures up to +50° C



Walk-over

Fixture design to withstand a static load up to 5 kN



C5 - Very high

corrosion resistance level ISO 9223



Mizar warranty

5 years warranty



Technical description

Inground luminaire, walk-over, suitable for outdoor environments (IP66/IP68), with operating temperature range: -20°C / +50°C. To provide maximum versatility of application, the body can be made of aluminum or steel; the frame, aluminum, steel or brass. The light source consists of a single 1W power Led chip powered at 24V constant voltage with integrated driver. The luminous flux makes it ideal for tracing pedestrian paths or achieving a starry ceiling effect, thanks to the different emission angles. The source is set back for greater visual comfort. Color rendering index CRI > 90. Oceano is equipped with IdroSkud® system to protect electronic components from voltage spikes, polarity reversal and water infiltration. Installation accessories (draining and waterproof outercase and plasterboard spring) are provided.

Lighting data

Source type	single chip power LED	Photobiological risk	RG0
CCT	2700K	ULR	100.00%
CRI	> 90	BUG Rating	B0 U1 G0
MacAdam (SDCM)	2	CIE Flux Code	0 0 0 0 100
Source lumen output (lm)	126	LED lifetime	L80 B10 50.000h
Luminaire lumen output (lm)	64	Efficiency class	This product contains a light source of energy efficiency class (EU2019/2015): E
Light emission	Medium		
Beam angle	25°		

Mechanical data

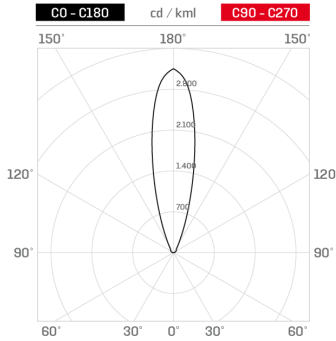
Width (mm)	29	Diffuser thickness (mm)	4
Length (mm)	29	Class ISO 9223	C5
Height (mm)	44	Optic type	Technopolymer TIR Lens
Weight (g)	46	Optical optional	None
IP Rating	IP66 / IP68	Maximal working temperature	+50° C
IK rating	IK09	Minimal working temperature	-20° C
Shape	Square	Maximal static load (kN)	5
Finishing colour	Aluminium / Aluminium	Walk-over	Yes
Frame material	Anodized 20u aluminum anticorodal 6082, Anodized 20u aluminum anticorodal 6082	Driver-over	No
Body material	Alluminio anodizzato 20u anticorodal 6082, Anodized 20u aluminum anticorodal 6082	Maximal surface temperature	+50° C
		Areas EN 60598-2-13	A1 / A2

Electrical data

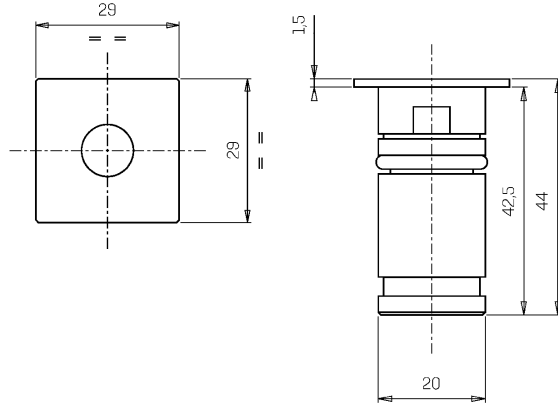
External screw material	Stainless steel 316L (A4)	Electrical connection	Parallel connection
Diffuser material	Extraclear tempered glass	Idroskud® protection	Yes
Nominal power (W)	1	Inverse polarity protection	Yes
Power supply (input power type)	Costant voltage - 24V	Voltage spikes protection	Yes
Ballast	Remote		
Insulation class	III		
Dimmable	Yes		
Power cable type	FR5FOEM7 - AD8 2x0,5 mm ²		
Power cable length	1,5 m		

Photometry

25°



Technical drawing



Accessories



DRAINING OUTERCASE

Outercase draining OCEANO 1

Cod: CEAZZ000



SLIM DRAINING OUTERCASE

Outercase draining slim OCEANO 1

Cod: CEAZZ001



SLIM WATER-PROOF OUTERCASE

Outercase waterproof slim OCEANO 1

Cod: CEAZZ002



SPRING FOR CEILING MOUNTING

Spring for ceiling mounting OCEANO 1

Cod: CEAZZ014



NOT DIMMABLE POWER SUPPLY

Power supply 220/240 50/60Hz ON/OFF
24V 14,4W IP67

Cod: MID0019



NOT DIMMABLE POWER SUPPLY

Power supply 220/240 50/60Hz ON/OFF
24V 36W IP67

Cod: MID0020



DIMMABLE POWER SUPPLY

Power supply 220/240 50/60Hz ON/OFF
24V 24W IP67 DALI

Cod: MID0021