



OCEANO 1.0

OCEANO 1.0 AL-AL ROUND 25° 3000K
-0,4M

Cod: **CEA00DCM000A00**



IdroSkud® protection system

- polarity reversal protection
- voltage spikes protection
- water infiltration protection



Protection class III

Designed to be supplied from a separated extra-low voltage (SELV) power supply



IP 66

Protected against powerful power jets, 100 liters per minute



IP 68

Protected against continuous immersion up to 3 meters



IK 09

Protected against impact of 10 J



High temperatures

Design to withstand temperatures up to +50° C



Walk-over

Fixture design to withstand a static load up to 5 kN



C5 - Very high

corrosion resistance level ISO 9223



Mizar warranty

5 years warranty



Technical description

Inground luminaire, walk-over, suitable for outdoor environments (IP66/IP68), with operating temperature range: -20°C / +50°C. To provide maximum versatility of application, the body can be made of aluminum or steel; the frame, aluminum, steel or brass. The light source consists of a single 1W power Led chip powered at 24V constant voltage with integrated driver. The luminous flux makes it ideal for tracing pedestrian paths or achieving a starry ceiling effect, thanks to the different emission angles. The source is set back for greater visual comfort. Color rendering index CRI > 90. Oceano is equipped with IdroSkud® system to protect electronic components from voltage spikes, polarity reversal and water infiltration. Installation accessories (draining and waterproof outercase and plasterboard spring) are provided.

Lighting data

| | | | |
|-----------------------------|-----------------------|----------------------|--|
| Source type | single chip power LED | Photobiological risk | RG0 |
| CCT | 3000K | ULR | 100.00% |
| CRI | > 90 | BUG Rating | B0 U1 G0 |
| MacAdam (SDCM) | 2 | CIE Flux Code | 0 0 0 0 100 |
| Source lumen output (lm) | 126 | LED lifetime | L80 B10 50.000h |
| Luminaire lumen output (lm) | 68 | Efficiency class | This product contains a light source of energy efficiency class (EU2019/2015): E |
| Light emission | Medium | | |
| Beam angle | 25° | | |

Mechanical data

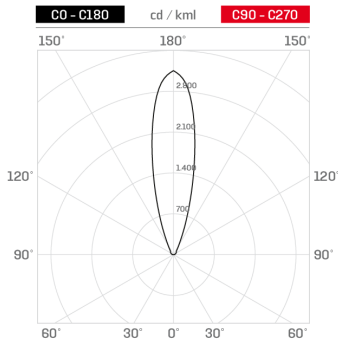
| | | | |
|--------------------------|--|-----------------------------|------------------------|
| Diameter (mm) | 29 | Diffuser thickness (mm) | 4 |
| Height (mm) | 44 | Class ISO 9223 | C5 |
| Weight (g) | 45 | Optic type | Technopolymer TIR Lens |
| IP Rating | IP66 / IP68 | Optical optional | None |
| IK rating | IK09 | Maximal working temperature | +50° C |
| Shape | Round | Minimal working temperature | -20° C |
| Finishing colour | Aluminium / Aluminium | Maximal static load (kN) | 5 |
| Frame material | Anodized 20u aluminum anticorodal 6082 | Walk-over | Yes |
| Body material | Anodized 20u aluminum anticorodal 6082 | Driver-over | No |
| External screws material | Stainless steel 316L (A4) | Maximal surface temperature | +50° C |
| Diffuser material | Extraclear tempered glass | Areas EN 60598-2-13 | A1 / A2 |

Electrical data

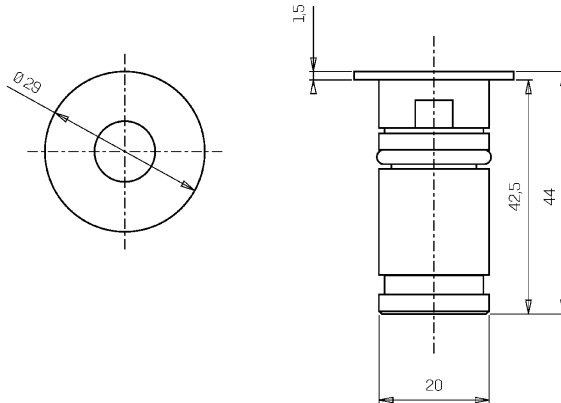
| | | | |
|---------------------------------|--------------------------------------|-----------------------------|---------------------|
| Nominal power (W) | 1 | Electrical connection | Parallel connection |
| Power supply (input power type) | Costant voltage - 24V | Idroskud® protection | Yes |
| Ballast | Remote | Inverse polarity protection | Yes |
| Insulation class | III | Voltage spikes protection | Yes |
| Dimmable | Yes | | |
| Power cable type | FR5FOEM7 - AD8 2x0,5 mm ² | | |
| Power cable length | 0,4 m | | |

Photometry

25°



Technical drawing



Accessories



DRAINING OUTERCASE

Outer case draining OCEANO 1

Cod: CEAZZ000



SLIM DRAINING OUTERCASE

Outer case draining slim OCEANO 1

Cod: CEAZZ001



SLIM WATER-PROOF OUTERCASE

Outer case waterproof slim OCEANO 1

Cod: CEAZZ002



SPRING FOR CEILING MOUNTING

Spring for ceiling mounting OCEANO 1

Cod: CEAZZ014



NOT DIMMABLE POWER SUPPLY

Power supply 220/240 50/60Hz ON/OFF
24V 14,4W IP67

Cod: MID0019



NOT DIMMABLE POWER SUPPLY

Power supply 220/240 50/60Hz ON/OFF
24V 36W IP67

Cod: MID0020



DIMMABLE POWER SUPPLY

Power supply 220/240 50/60Hz ON/OFF
24V 24W IP67 DALI

Cod: MID0021