



ACUS 2.0

ACUS 2.0 WITH LENS 15° 4000K

Cod: **ACU02FCS000Z00**



IdroSkud® protection system

- polarity reversal protection
- voltage spikes protection
- water infiltration protection



Protection class III

Designed to be supplied from a separated extra-low voltage (SELV) power supply



IP 66

Protected against powerful power jets, 100 liters per minute



IP 67

Protected against temporary immersion (30 minutes) up to 1 meter



IK 10

Protected against impact of 20 J



High temperatures

Design to withstand temperatures up to +50° C



Driver-over

Fixture design to withstand a static load up to 20 kN



CX - Extreme

corrosion resistance level ISO 9223



Mizar warranty

5 years warranty



Technical description

Inground luminaire, drive-over, suitable for outdoor environments (IP66/IP67), with operating temperature range: -20°C / +50°C. To reduce weight and ensure corrosion resistance, the body is made of aluminum and the round frame of steel. The light source is LED C.O.B powered by constant current, max 700mA, for maximum power of 13W. The high luminous flux makes it ideal for marking pedestrian and driveway paths or illuminating facades and architectural details thanks to the optics with titable TIR lens ($\pm 8^\circ$). The LED source is recessed for greater visual comfort. Color rendering index CRI > 90. Acus is equipped with IdroSkud® system to protect electronic components from voltage spikes, polarity reversal and water infiltration. There are optionals for anti-glare (honeycomb) and installation accessories (drive-over outercase).

Lighting data

Source type	COB LED	Photobiological risk	RG0
CCT	4000K	ULR	100.00%
CRI	> 90	BUG Rating	B0 U1 G0
MacAdam (SDCM)	3	CIE Flux Code	0 0 0 0 100
Source lumen output (lm)	1592	LED lifetime	L80 B10 50.000h
Luminaire lumen output (lm)	1195	Efficiency class	This product contains a light source of energy efficiency class (EU2019/2015): F
Light emission	Narrow		
Beam angle	15°		

Mechanical data

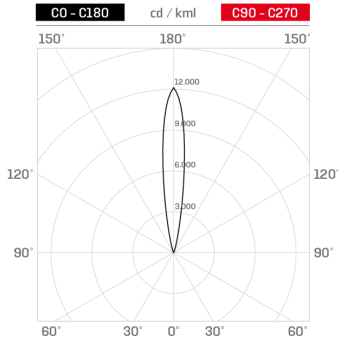
Diameter (mm)	140	Diffuser thickness (mm)	12
Height (mm)	115	Class ISO 9223	CX
Weight (g)	1650	Optic type	Technopolymer TIR Lens
IP Rating	IP66 / IP67	Optical optional	None
IK rating	IK10	Maximal working temperature	+50° C
Shape	Round	Minimal working temperature	-20° C
Finishing colour	Steel	Maximal static load (kN)	20
Frame material	Shot peened stainless steel 316L	Walk-over	Yes
Body material	Anodized aluminum anticorodal 6082	Driver-over	Yes
External screws material	Stainless steel 316L (A4)	Maximal surface temperature	+60° C
Diffuser material	Extraclear tempered glass	Areas EN 60598-2-13	A1 / A2 / A3 / A4

Electrical data

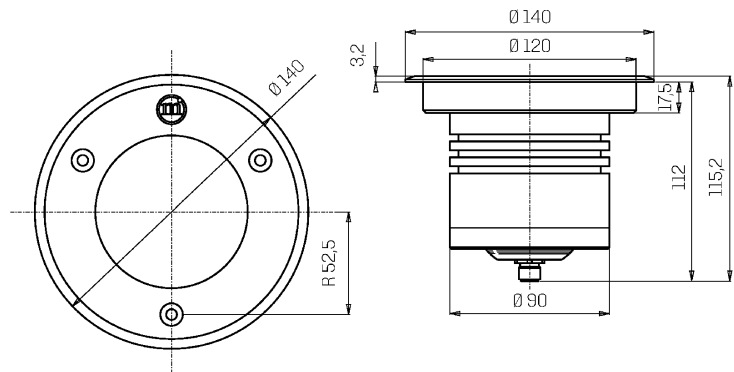
Nominal power (W)	13	Electrical connection	Series connection
Power supply (input power type)	Costant current - 700 mA	Idroskud® protection	Yes
Ballast	Remote	Inverse polarity protection	Yes
Insulation class	III	Voltage spikes protection	Yes
Dimmable	Yes		
Connector type	M12 - 5 poles IP67		
Power cable length	Not pre-wired		

Photometry

15°



Technical drawing



Accessories



DRIVE-OVER OUTERCASE
Outer case drive-over ACUS
Cod: ACUZZZ000



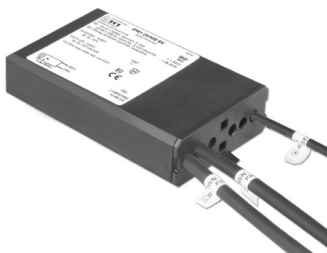
NOT DIMMABLE POWER SUPPLY
Power supply DC 5-44V 700mA 30W max
Cod: MID0022



NOT DIMMABLE POWER SUPPLY
Power supply DC 25-85V 15/70W 350-700mA IP20
Cod: MID0024



DIMMABLE POWER SUPPLY
Power supply DC 10-54V 1.5/38W 150-1050mA IP20 DALI/NFC
Cod: MID0025



NOT DIMMABLE POWER SUPPLY
Power supply DC 10-50V 15/70W 700mA IP68
Cod: MID0026



DIMMABLE POWER SUPPLY
Power supply DC 2-49V 1/30W 700mA IP68 DALI
Cod: MID0027