



ACUS 1.1

ACUS 1.1 WITH REFLECTOR 25° 2700K LOUVRE

Cod: **ACU01CCM300Z00**



IdroSkud® protection system

- polarity reversal protection
- voltage spikes protection
- water infiltration protection



Protection class III

Designed to be supplied from a separated extra-low voltage (SELV) power supply



IP 66

Protected against powerful power jets, 100 liters per minute



IP 67

Protected against temporary immersion (30 minutes) up to 1 meter



IK 10

Protected against impact of 20 J



High temperatures

Design to withstand temperatures up to +50° C



Driver-over

Fixture design to withstand a static load up to 20 kN



CX - Extreme

corrosion resistance level ISO 9223



Mizar warranty

5 years warranty



Technical description

Inground luminaire, drive-over, suitable for outdoor environments (IP66/IP67), with operating temperature range: -20°C / +50°C. To reduce weight and ensure corrosion resistance, the body is made of aluminum and the round frame of steel. The light source is LED C.O.B powered by constant current, max 700mA, for maximum power of 25W. The high luminous flux makes it ideal for marking pedestrian and driveway paths or illuminating facades and architectural details thanks to the optics with reflector. The LED source is recessed for greater visual comfort. Color rendering index CRI > 90. Acus is equipped with IdroSkud® system to protect electronic components from voltage spikes, polarity reversal and water infiltration. There are optionals for anti-glare (honeycomb and louvre) and installation accessories (drive-over outercase).

Lighting data

| | | | |
|-----------------------------|---------|----------------------|--|
| Source type | COB LED | Photobiological risk | RG0 |
| CCT | 2700K | ULR | 100.00% |
| CRI | > 90 | BUG Rating | B0 U1 G0 |
| MacAdam (SDCM) | 3 | CIE Flux Code | 0 0 0 0 100 |
| Source lumen output (lm) | 2695 | LED lifetime | L80 B10 50.000h |
| Luminaire lumen output (lm) | 2424 | Efficiency class | This product contains a light source of energy efficiency class (EU2019/2015): F |
| Light emission | Medium | | |
| Beam angle | 25° | | |

Mechanical data

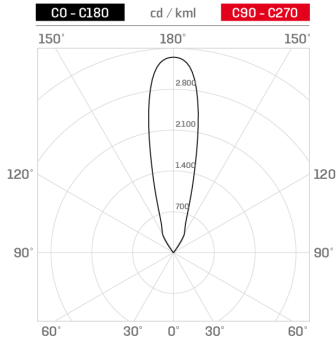
| | | | |
|-------------------------|------------------------------------|-----------------------------|-----------------------------------|
| Diameter (mm) | 140 | Optic type | Technopolymer metalized reflector |
| Height (mm) | 106 | Optical optional | Louvre |
| Weight (g) | 1300 | Maximal working temperature | +50° C |
| IP Rating | IP66 / IP67 | Minimal working temperature | -20° C |
| IK rating | IK10 | Maximal static load (kN) | 20 |
| Shape | Round | Walk-over | Yes |
| Finishing colour | Steel | Driver-over | Yes |
| Frame material | Shot peened stainless steel 316L | Maximal surface temperature | +60° C |
| Body material | Anodized aluminum anticorodal 6082 | Areas EN 60598-2-13 | A1 / A2 / A3 / A4 |
| Diffuser material | Extraclear tempered glass | Class ISO 9223 | CX |
| Diffuser thickness (mm) | 12 | | |

Electrical data

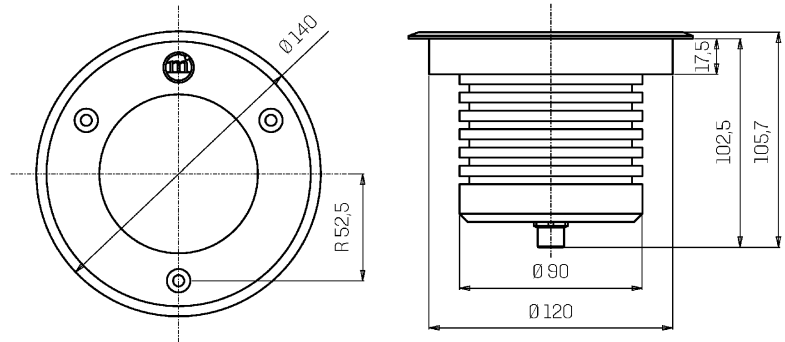
| | | | |
|---------------------------------|---------------------------|-----------------------------|-------------------|
| Nominal power (W) | 25 | Electrical connection | Series connection |
| Power supply (input power type) | Constant current - 700 mA | Idroskud® protection | Yes |
| Ballast | Remote | Inverse polarity protection | Yes |
| Insulation class | III | Voltage spikes protection | Yes |
| Dimmable | Yes | | |
| Connector type | M12 - 5 poles IP67 | | |
| Power cable length | Not pre-wired | | |

Photometry

25°



Technical drawing



Accessories



DRIVE-OVER OUTERCASE

Outer case drive-over ACUS

Cod: ACUZZZ000



NOT DIMMABLE POWER SUPPLY

Power supply DC 5-44V 700mA 30W max

Cod: MID0022



NOT DIMMABLE POWER SUPPLY

Power supply DC 25-85V 15/70W 350-700mA IP20

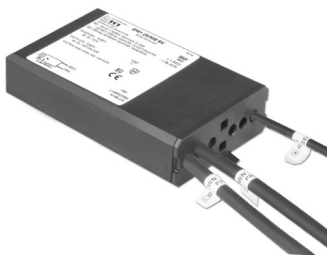
Cod: MID0024



DIMMABLE POWER SUPPLY

Power supply DC 10-54V 1.5/38W 150-1050mA IP20 DALI/NFC

Cod: MID0025



NOT DIMMABLE POWER SUPPLY

Power supply DC 10-50V 15/70W 700mA IP68

Cod: MID0026



DIMMABLE POWER SUPPLY

Power supply DC 2-49V 1/30W 700mA IP68 DALI

Cod: MID0027