



ACUS 1.0

ACUS 1.0 WITH LENS 14° 4000K LOUVRE

Cod: **ACU00FCS300Z00**



IdroSkud® protection system

- polarity reversal protection
- voltage spikes protection
- water infiltration protection



Protection class III

Designed to be supplied from a separated extra-low voltage (SELV) power supply



IP 66

Protected against powerful power jets, 100 liters per minute



IP 67

Protected against temporary immersion (30 minutes) up to 1 meter



IK 10

Protected against impact of 20 J



High temperatures

Design to withstand temperatures up to +50° C



Driver-over

Fixture design to withstand a static load up to 20 kN



CX - Extreme

corrosion resistance level ISO 9223



Mizar warranty

5 years warranty



Technical description

Inground luminaire, drive-over, suitable for outdoor environments (IP66/IP67), with operating temperature range: -20°C / +50°C. To reduce weight and ensure corrosion resistance, the body is made of aluminum and the round frame of steel. The light source is LED C.O.B powered by constant current, max 700mA, for maximum power of 25W. The high luminous flux makes it ideal for marking pedestrian and driveway paths or illuminating facades and architectural details thanks to the optics with TIR lens. The LED source is recessed for greater visual comfort. Color rendering index CRI > 90. Acus is equipped with IdroSkud® system to protect electronic components from voltage spikes, polarity reversal and water infiltration. There are optionals for anti-glare (honeycomb and louvre) and installation accessories (drive-over outercase).

Lighting data

Source type	COB LED	Photobiological risk	RG0
CCT	4000K	ULR	100.00%
CRI	> 90	BUG Rating	B0 U1 G0
MacAdam (SDCM)	3	CIE Flux Code	0 0 0 0 100
Source lumen output (lm)	2828	LED lifetime	L80 B10 50.000h
Luminaire lumen output (lm)	2338	Efficiency class	This product contains a light source of energy efficiency class (EU2019/2015): F
Light emission	Narrow		
Beam angle	14°		

Mechanical data

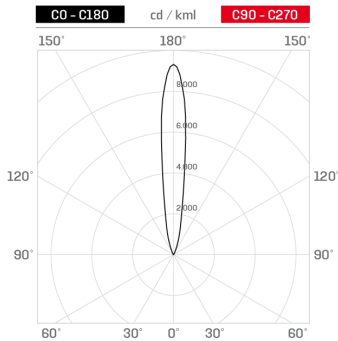
Diameter (mm)	140	Optic type	Technopolymer TIR Lens
Height (mm)	106	Optical optional	Louvre
Weight (g)	1325	Maximal working temperature	+50° C
IP Rating	IP66 / IP67	Minimal working temperature	-20° C
IK rating	IK10	Maximal static load (kN)	20
Shape	Round	Walk-over	Yes
Finishing colour	Steel	Driver-over	Yes
Frame material	Shot peened stainless steel	Maximal surface temperature	+60° C
	316L	Areas EN 60598-2-13	A1 / A2 / A3 / A4
Body material	Anodized aluminum anticorodal 6082	Class ISO 9223	CX
Diffuser material	Extraclear tempered glass		
Diffuser thickness (mm)	12		

Electrical data

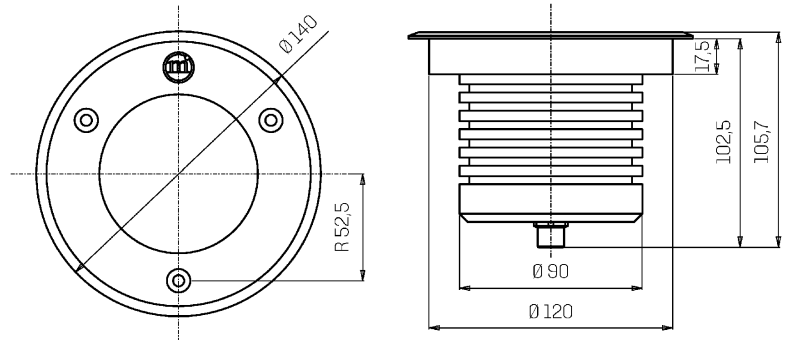
Nominal power (W)	25	Electrical connection	Series connection
Power supply (input power type)	Costant current - 700 mA	Idroskud® protection	Yes
Ballast	Remote	Inverse polarity protection	Yes
Insulation class	III	Voltage spikes protection	Yes
Dimmable	Yes		
Connector type	M12 - 5 poles IP67		
Power cable length	Not pre-wired		

Photometry

14°



Technical drawing



Accessories



DRIVE-OVER OUTERCASE

Outer case drive-over ACUS

Cod: ACUZZZ000



NOT DIMMABLE POWER SUPPLY

Power supply DC 5-44V 700mA 30W max

Cod: MID0022



NOT DIMMABLE POWER SUPPLY

Power supply DC 25-85V 15/70W 350-700mA IP20

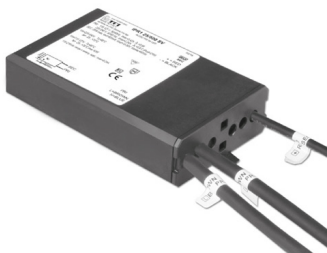
Cod: MID0024



DIMMABLE POWER SUPPLY

Power supply DC 10-54V 1.5/38W 150-1050mA IP20 DALI/NFC

Cod: MID0025



NOT DIMMABLE POWER SUPPLY

Power supply DC 10-50V 15/70W 700mA IP68

Cod: MID0026



DIMMABLE POWER SUPPLY

Power supply DC 2-49V 1/30W 700mA IP68 DALI

Cod: MID0027