



OCEANO 8

OCEANO 8 STEEL 20° 3000K -15M

Cod: **CEA15DCM001P00**



IdroSkud® protection system

- polarity reversal protection
- voltage spikes protection
- water infiltration protection



Protection class III

Designed to be supplied from a separated extra-low voltage (SELV) power supply



IP 66

Protected against powerful power jets, 100 liters per minute



IP 68 up to 10m

Protected against continuous immersion up to 10 meters



IK 09

Protected against impact of 10 J



High temperatures

Design to withstand temperatures up to +50° C



CX - Extreme

corrosion resistance level ISO 9223



Mizar warranty

5 years warranty



Technical description

Floodlight suitable for outdoor and underwater environments up to 10 m (IP66/IP68), with operating temperature range: -20°C / +50°C. To offer maximum versatility of application, the body can be made of aluminum or steel; the bracket, made of steel for both models, allows the fixture's tilt to be adjusted. The light source consists of a single 7W power Led chip powered at 24V constant voltage with integrated driver. The luminous flux makes it ideal for illuminating architectural details, garden plants or water features, thanks to the different emission angles. The source is set back for greater visual comfort. Color rendering index CRI > 90. Oceano is equipped with IdroSkud® system to protect electronic components from voltage spikes, polarity reversal and water infiltration. Optional for anti-glare (honeycomb) and accessory for installation in the ground (stake) are provided.

Lighting data

Source type	single chip power LED	Photobiological risk	RG0
CCT	3000K	ULR	0.00%
CRI	> 90	BUG Rating	B0 U1 G0
MacAdam (SDCM)	2	CIE Flux Code	0 0 0 0 100
Source lumen output (lm)	445	LED lifetime	L80 B10 50.000h
Luminaire lumen output (lm)	330	Efficiency class	This product contains a light source of energy efficiency class (EU2019/2015): G
Light emission	Medium		
Beam angle	20°		

Mechanical data

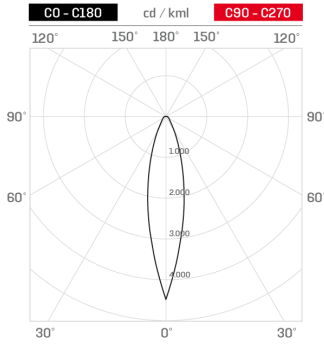
Width (mm)	86	External screws material	Stainless steel 316L (A4)
Length (mm)	114	Diffuser material	Extraclear tempered glass
Height (mm)	117	Diffuser thickness (mm)	8
Weight (g)	1592	Class ISO 9223	CX
IP Rating	IP66 / IP68 10m	Optic type	Technopolymer TIR Lens
IK rating	IK09	Optical optional	None
Finishing colour	Steel / Steel	Maximal working temperature	+50° C
Frame material	Stainless steel 316L	Minimal working temperature	-20° C
Body material	Stainless steel 316L		

Electrical data

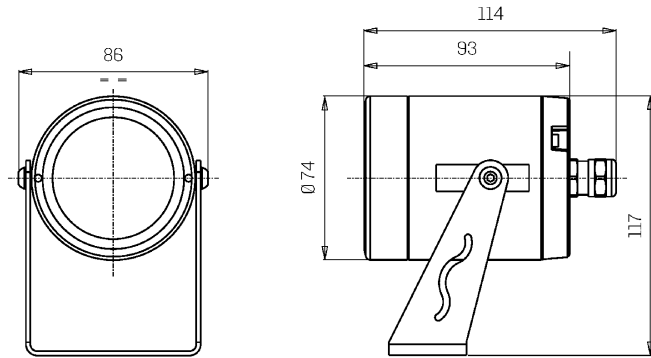
Nominal power (W)	7	Electrical connection	Parallel connection
Power supply (input power type)	Costant voltage - 24V	Idroskud® protection	Yes
Ballast	Remote	Inverse polarity protection	Yes
Insulation class	III	Voltage spikes protection	Yes
Dimmable	Yes		
Power cable type	H05RN - F 2x0,75 mm ²		
Power cable length	15 m (check voltage drop), 15 m (verify voltage drop)		

Photometry

20°



Technical drawing



Accessories



GROUND STAKE

Stake for floodlight OCEANO 8

Cod: CEAZZ017



NOT DIMMABLE POWER SUPPLY

Power supply 220/240 50/60Hz ON/OFF
24V 14,4W IP67

Cod: MID0019



NOT DIMMABLE POWER SUPPLY

Power supply 220/240 50/60Hz ON/OFF
24V 36W IP67

Cod: MID0020



DIMMABLE POWER SUPPLY

Power supply 220/240 50/60Hz ON/OFF
24V 24W IP67 DALI

Cod: MID0021