



# OCEANO 8

OCEANO 8 STEEL ELL 2700K  
HONEYCOMB-15M

Cod: **CEA15CCEI01P00**



#### IdroSkud® protection system

- polarity reversal protection
- voltage spikes protection
- water infiltration protection



#### Protection class III

Designed to be supplied from a separated extra-low voltage (SELV) power supply



#### IP 66

Protected against powerful power jets, 100 liters per minute



#### IP 68 up to 10m

Protected against continuous immersion up to 10 meters



#### IK 09

Protected against impact of 10 J



#### High temperatures

Design to withstand temperatures up to +50° C



#### CX - Extreme

corrosion resistance level ISO 9223



#### Mizar warranty

5 years warranty



## Technical description

Floodlight suitable for outdoor and underwater environments up to 10 m (IP66/IP68), with operating temperature range: -20°C / +50°C. To offer maximum versatility of application, the body can be made of aluminum or steel; the bracket, made of steel for both models, allows the fixture's tilt to be adjusted. The light source consists of a single 7W power Led chip powered at 24V constant voltage with integrated driver. The luminous flux makes it ideal for illuminating architectural details, garden plants or water features, thanks to the different emission angles. The source is set back for greater visual comfort. Color rendering index CRI > 90. Oceano is equipped with IdroSkud® system to protect electronic components from voltage spikes, polarity reversal and water infiltration. Optional for anti-glare (honeycomb) and accessory for installation in the ground (stake) are provided.

### Lighting data

|                             |                       |                      |  |
|-----------------------------|-----------------------|----------------------|--|
| Source type                 | single chip power LED | Photobiological risk | RG0  |
| CCT                         | 2700K                 | ULR                  | 0.00%  |
| CRI                         | > 90                  | BUG Rating           | B0 U1 G0   |
| MacAdam (SDCM)              | 2                     | CIE Flux Code        | 0 0 0 0 100  |
| Source lumen output (lm)    | 445                   | LED lifetime         | L80 B10 50.000h  |
| Luminaire lumen output (lm) | 333                   | Efficiency class     | This product contains a light source of energy efficiency class (EU2019/2015): G |
| Light emission              | Elliptical            |                      |  |
| Beam angle                  | 15°x60°               |                      |  |

### Mechanical data

|                  |                      |                             |                           |
|------------------|----------------------|-----------------------------|---------------------------|
| Width (mm)       | 86                   | External screws material    | Stainless steel 316L (A4) |
| Length (mm)      | 114                  | Diffuser material           | Extraclear tempered glass |
| Height (mm)      | 117                  | Diffuser thickness (mm)     | 8                         |
| Weight (g)       | 1592                 | Class ISO 9223              | CX                        |
| IP Rating        | IP66 / IP68 10m      | Optic type                  | Technopolymer TIR Lens    |
| IK rating        | IK09                 | Optical optional            | Honeycomb                 |
| Finishing colour | Steel / Steel        | Maximal working temperature | +50° C                    |
| Frame material   | Stainless steel 316L | Minimal working temperature | -20° C                    |
| Body material    | Stainless steel 316L |                             |                           |

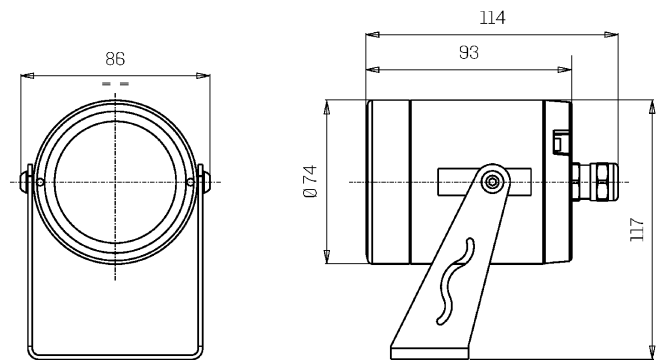
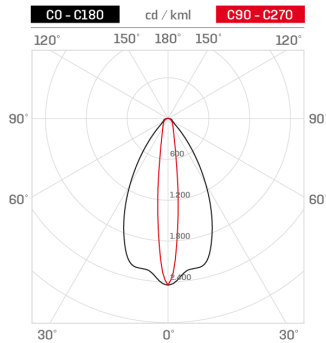
### Electrical data

|                                 |   |                             |                     |
|---------------------------------|---|-----------------------------|---------------------|
| Nominal power (W)               | 7   | Electrical connection       | Parallel connection |
| Power supply (input power type) | Costant voltage - 24V                                 | Idroskud® protection        | Yes                 |
| Ballast                         | Remote  | Inverse polarity protection | Yes                 |
| Insulation class                | III   | Voltage spikes protection   | Yes                 |
| Dimmable                        | Yes   |                             |                     |
| Power cable type                | H05RN - F 2x0,75 mm <sup>2</sup>                      |                             |                     |
| Power cable length              | 15 m (check voltage drop), 15 m (verify voltage drop) |                             |                     |

Photometry

Technical drawing

15° x 60°



Accessories



**GROUND STAKE**

Stake for floodlight OCEANO 8

Cod: CEAZZ017



**NOT DIMMABLE POWER SUPPLY**

Power supply 220/240 50/60Hz ON/OFF  
24V 14,4W IP67

Cod: MID0019



**NOT DIMMABLE POWER SUPPLY**

Power supply 220/240 50/60Hz ON/OFF  
24V 36W IP67

Cod: MID0020



**DIMMABLE POWER SUPPLY**

Power supply 220/240 50/60Hz ON/OFF  
24V 24W IP67 DALI

Cod: MID0021