



# OCEANO 5

OCEANO 5 ALUMINIUM 25° 4000K -15M

Cod: **CEA12FCM000P00**



#### IdroSkud® protection system

- polarity reversal protection
- voltage spikes protection
- water infiltration protection



#### Protection class III

Designed to be supplied from a separated extra-low voltage (SELV) power supply



#### IP 66

Protected against powerful power jets, 100 liters per minute



#### IP 68

Protected against continuous immersion up to 3 meters



#### IK 09

Protected against impact of 10 J



#### High temperatures

Design to withstand temperatures up to +50° C



#### C5 - Very high

corrosion resistance level ISO 9223



#### Mizar warranty

5 years warranty



## Technical description

Floodlight suitable for outdoor environments (IP66/IP68) with operating temperature range: -20°C / +50°C. To offer maximum versatility of application, the body can be made of aluminum or steel; the bracket, made of steel for both models, allows the fixture's tilt to be adjusted. The light source consists of a single 1W power Led chip powered at 24V constant voltage with integrated driver. The luminous flux makes it ideal for illuminating architectural details, garden plants or water features, thanks to the different emission angles. The source is set back for greater visual comfort. Color rendering index CRI > 90. Oceano is equipped with IdroSkud® system to protect electronic components from voltage spikes, polarity reversal and water infiltration. An accessory for installation in the ground (stake) is provided.

## Lighting data

Source type	single chip power LED	Photobiological risk	RG0
CCT	4000K	ULR	0.00%
CRI	> 90	BUG Rating	B0 U1 G0
MacAdam (SDCM)	2	CIE Flux Code	0 0 0 0 100
Source lumen output (lm)	136	LED lifetime	L80 B10 50.000h
Luminaire lumen output (lm)	118	Efficiency class	This product contains a light source of energy efficiency class (EU2019/2015): E
Light emission	Medium		
Beam angle	25°		

## Mechanical data

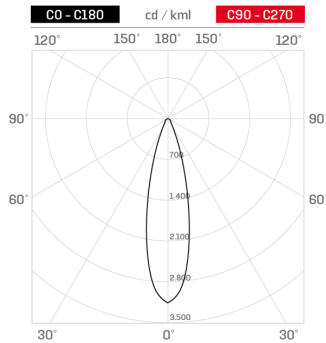
Width (mm)	27	Body material	Anodized 20u aluminum anticorodal 6082
Length (mm)	44	Diffuser material	Extraclear tempered glass
Height (mm)	46.5	Diffuser thickness (mm)	4
Weight (g)	52	Optic type	Technopolymer TIR Lens
IP Rating	IP66 / IP68	Optical optional	None
IK rating	IK09	Maximal working temperature	+50° C
Finishing colour	Aluminium / Aluminium	Minimal working temperature	-20° C
Frame material	Anodized 20u aluminum anticorodal 6082	Class ISO 9223	C5

## Electrical data

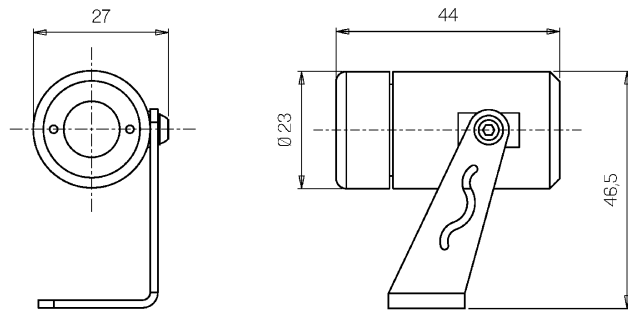
Nominal power (W)	1	Electrical connection	Parallel connection
Power supply (input power type)	Costant voltage - 24V	Idroskud® protection	Yes
Ballast	Remote	Inverse polarity protection	Yes
Insulation class	III	Voltage spikes protection	Yes
Dimmable	Yes		
Power cable type	FR5FOEM7 - AD8 2x0,5 mm <sup>2</sup>		
Power cable length	15 m (verify voltage drop)		

Photometry

25°



Technical drawing



Accessories



**GROUND STAKE**

Stake for floodlight OCEANO 5, 6 and 7

Cod: CEAZZ016



**NOT DIMMABLE POWER SUPPLY**

Power supply 220/240 50/60Hz ON/OFF  
24V 14,4W IP67

Cod: MID0019



**NOT DIMMABLE POWER SUPPLY**

Power supply 220/240 50/60Hz ON/OFF  
24V 36W IP67

Cod: MID0020



**DIMMABLE POWER SUPPLY**

Power supply 220/240 50/60Hz ON/OFF  
24V 24W IP67 DALI

Cod: MID0021