



VITRUM 3.1

VITRUM 3.1 OPAL DIFF 3000K -15M

Cod: **VIT03DCD001P00**



IdroSkud® protection system

- polarity reversal protection
- voltage spikes protection
- water infiltration protection



Protection class III

Designed to be supplied from a separated extra-low voltage (SELV) power supply



IP 66

Protected against powerful power jets, 100 liters per minute



IP 68

Protected against continuous immersion up to 3 meters



IK 10

Protected against impact of 20 J



High temperatures

Design to withstand temperatures up to +50° C



Walk-over

Fixture design to withstand a static load up to 5 kN



CX - Extreme

corrosion resistance level ISO 9223



Mizar warranty

5 years warranty



Technical description

Fully flush inground luminaire, walk-over, suitable for outdoor and underwater environments (IP66/IP68) with operating temperature range: -20°C / +50°C. Its special feature is that it has a tempered glass screen without metal frame, opal, with black screen-printed edge. The body is made of black anodized anticorrosive aluminum. The light source consists of a single 7W power Led chip powered at 24Vdc constant voltage with integrated driver. The minimalist design makes it ideal as a lighting fixture for elegant indoor and outdoor environments, as well as for high-humidity situations (spas, wine cellars). The source is set back for greater visual comfort. Color rendering index CRI > 90. Vitrum is equipped with IdroSkud® system to protect electronic components from voltage spikes, polarity reversal and water infiltration. There are installation accessories (draining, watertight and plasterboard outercase).

Lighting data

Source type	single chip power LED	Photobiological risk	RG0
CCT	3000K	ULR	100.00%
CRI	> 90	BUG Rating	B0 U1 G0
MacAdam (SDCM)	2	CIE Flux Code	0 0 0 0 100
Source lumen output (lm)	445	LED lifetime	L80 B10 50.000h
Luminaire lumen output (lm)	246	Efficiency class	This product contains a light source of energy efficiency class (EU2019/2015): G
Light emission	Diffused		
Beam angle	120°		

Mechanical data

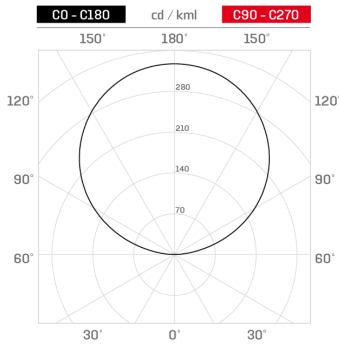
Diameter (mm)	85	Class ISO 9223	CX
Height (mm)	108	Optical optional	None
Weight (g)	632	Maximal working temperature	+50° C
IP Rating	IP66 / IP68	Minimal working temperature	-20° C
IK rating	IK10	Maximal static load (kN)	5
Finishing colour	Black silk-screen	Walk-over	Yes
Body material	Anodized aluminum anticorodal 6082	Driver-over	No
External screws material	Stainless steel 316L (A4)	Maximal surface temperature	+50° C
Diffuser material	Extraclear satin tempered glass	Areas EN 60598-2-13	A1 / A2
Diffuser thickness (mm)	10		

Electrical data

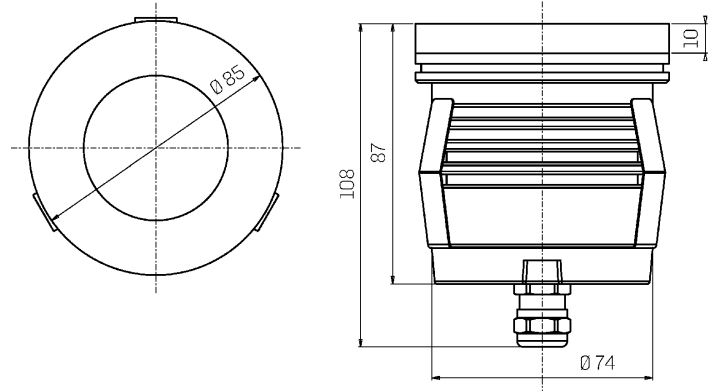
Nominal power (W)	7	Electrical connection	Parallel connection
Power supply (input power type)	Costant voltage - 24V	Idroskud® protection	Yes
Ballast	Remote	Inverse polarity protection	Yes
Insulation class	III	Voltage spikes protection	Yes
Dimmable	Yes		
Power cable type	H05RN - F 2x0,75 mm ²		
Power cable length	15 m (check voltage drop), 15 m (verify voltage drop)		

Photometry

Diffused



Technical drawing



Accessories



DRAINING OUTERCASE

Outercase draining VITRUM 3

Cod: VITZZZ002



SLIM DRAINING OUTERCASE

Outercase slim VITRUM 3

Cod: VITZZZ005



PLASTERBOARD RING

Plasterboard ring VITRUM 3

Cod: VITZZZ008



EXTRACTION KIT

Suction cup for VITRUM 3

Cod: VITZZZ011