



VITRUM 2.1

VITRUM 2.1 OPAL DIFF 4000K -10M

Cod: **VIT02FCD001M00**



IdroSkud® protection system

- polarity reversal protection
- voltage spikes protection
- water infiltration protection



Protection class III

Designed to be supplied from a separated extra-low voltage (SELV) power supply



IP 66

Protected against powerful power jets, 100 liters per minute



IP 68

Protected against continuous immersion up to 3 meters



IK 10

Protected against impact of 20 J



High temperatures

Design to withstand temperatures up to +50° C



Walk-over

Fixture design to withstand a static load up to 5 kN



CX - Extreme

corrosion resistance level ISO 9223



Mizar warranty

5 years warranty



Technical description

Fully flush inground luminaire, walk-over, suitable for outdoor and underwater environments (IP66/IP68) with operating temperature range: -20°C / +50°C. Its special feature is that it has a tempered glass screen without metal frame, opal, with black screen-printed edge. The body is made of black anodized anticorrosive aluminum. The light source consists of a single 3W power Led chip powered at 24Vdc constant voltage with integrated driver. The minimalist design makes it ideal as a lighting fixture for elegant indoor and outdoor environments, as well as for high-humidity situations (spas, wine cellars). The source is set back for greater visual comfort. Color rendering index CRI > 90. Vitrum is equipped with IdroSkud® system to protect electronic components from voltage spikes, polarity reversal and water infiltration. There are installation accessories (draining, watertight and plasterboard outercase).

Lighting data

Source type	single chip power LED	Photobiological risk	RG0
CCT	4000K	ULR	100.00%
CRI	> 90	BUG Rating	B0 U1 G0
MacAdam (SDCM)	2	CIE Flux Code	0 0 0 0 100
Source lumen output (lm)	236	LED lifetime	L80 B10 50.000h
Luminaire lumen output (lm)	136	Efficiency class	This product contains a light source of energy efficiency class (EU2019/2015): F
Light emission	Diffused		
Beam angle	120°		

Mechanical data

Diameter (mm)	60	Optical optional	None
Height (mm)	87	Maximal working temperature	+50° C
Weight (g)	278	Minimal working temperature	-20° C
IP Rating	IP66 / IP68	Maximal static load (kN)	5
IK rating	IK10	Walk-over	Yes
Finishing colour	Black silk-screen	Driver-over	No
Body material	Anodized aluminum anticorodal 6082	Maximal surface temperature	+50° C
Diffuser material	Extraclear satin tempered glass	Areas EN 60598-2-13	A1 / A2
Diffuser thickness (mm)	10	Class ISO 9223	CX

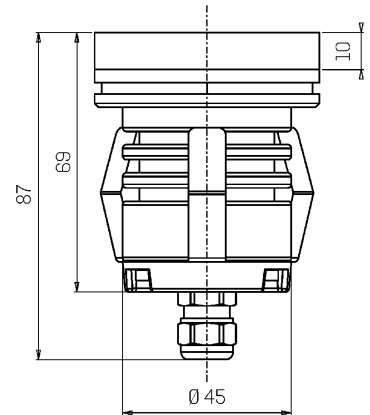
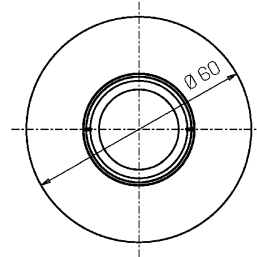
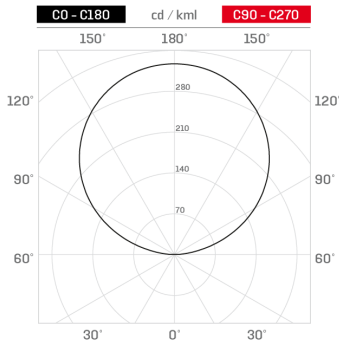
Electrical data

Nominal power (W)	3	Electrical connection	Parallel connection
Power supply (input power type)	Costant voltage - 24V	Idroskud® protection	Yes
Ballast	Remote	Inverse polarity protection	Yes
Insulation class	III	Voltage spikes protection	Yes
Dimmable	Yes		
Power cable type	H05RN - F 2x0,75 mm ²		
Power cable length	10 m (verify voltage drop)		

Photometry

Technical drawing

Diffused



Accessories



DRAINING OUTERCASE

Outercase draining VITRUM 2

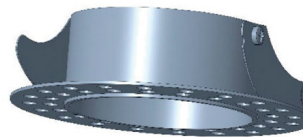
Cod: VITZZZ001



SLIM DRAINING OUTERCASE

Outercase slim VITRUM 2

Cod: VITZZZ004



PLASTERBOARD RING

Plasterboard ring VITRUM 2

Cod: VITZZZ007



EXTRACTION KIT

Suction cup for VITRUM 2

Cod: VITZZZ010