



# VITRUM 2.0

VITRUM 2.0 10° 3000K LOUVRE-0,4M

Cod: **VIT02DCS200A00**



#### IdroSkud® protection system

- polarity reversal protection
- voltage spikes protection
- water infiltration protection



#### Protection class III

Designed to be supplied from a separated extra-low voltage (SELV) power supply



#### IP 66

Protected against powerful power jets, 100 liters per minute



#### IP 68

Protected against continuous immersion up to 3 meters



#### IK 10

Protected against impact of 20 J



#### High temperatures

Design to withstand temperatures up to +50° C



#### Walk-over

Fixture design to withstand a static load up to 5 kN



#### CX - Extreme

corrosion resistance level ISO 9223



#### Mizar warranty

5 years warranty



## Technical description

Fully flush inground luminaire, walk-over, suitable for outdoor and underwater environments (IP66/IP68) with operating temperature range: -20°C / +50°C. Its special feature is that it has a tempered glass screen without metal frame, transparent, with black screen-printed edge. The body is made of black anodized anticorrosive aluminum. The light source consists of a single 3W power Led chip powered at 24Vdc constant voltage with integrated driver. The minimalist design makes it ideal as a lighting fixture for elegant indoor and outdoor environments, as well as for high-humidity situations (spas, wine cellars). The source is set back for greater visual comfort. Color rendering index CRI > 90. Vitrum is equipped with IdroSkud® system to protect electronic components from voltage spikes, polarity reversal and water infiltration. There are optional anti-glare (honeycomb) and installation accessories (draining, watertight and plasterboard outercase).

## Lighting data

Source type	single chip power LED	Photobiological risk	RG0
CCT	3000K	ULR	100.00%
CRI	> 90	BUG Rating	B0 U1 G0
MacAdam (SDCM)	2	CIE Flux Code	0 0 0 0 100
Source lumen output (lm)	236	LED lifetime	L80 B10 50.000h
Luminaire lumen output (lm)	200	Efficiency class	This product contains a light source of energy efficiency class (EU2019/2015): F
Light emission	Narrow		
Beam angle	10°		

## Mechanical data

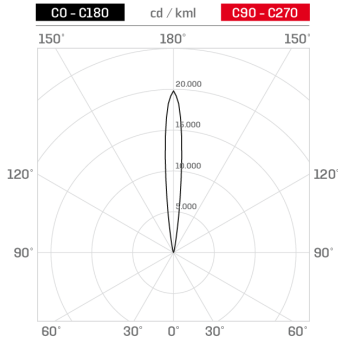
Diameter (mm)	60	Optical optional	Louvre
Height (mm)	87	Maximal working temperature	+50° C
Weight (g)	278	Minimal working temperature	-20° C
IP Rating	IP66 / IP68	Maximal static load (kN)	5
IK rating	IK10	Walk-over	Yes
Finishing colour	Black silk-screen	Driver-over	No
Body material	Anodized aluminum anticorodal 6082	Maximal surface temperature	+50° C
Diffuser material	Extraclear tempered glass	Areas EN 60598-2-13	A1 / A2
Diffuser thickness (mm)	10	Class ISO 9223	CX
Optic type	Technopolymer TIR Lens		

## Electrical data

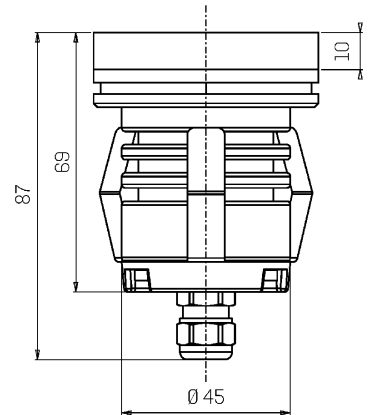
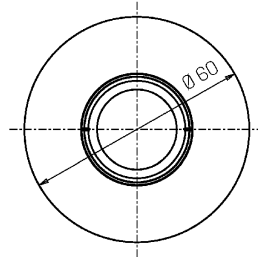
Nominal power (W)	3	Electrical connection	Parallel connection
Power supply (input power type)	Costant voltage - 24V	Idroskud® protection	Yes
Ballast	Remote	Inverse polarity protection	Yes
Insulation class	III	Voltage spikes protection	Yes
Dimmable	Yes		
Power cable type	H05RN - F 2x0,75 mm <sup>2</sup>		
Power cable length	0,4 m		

Photometry

10°



Technical drawing



Accessories



**NOT DIMMABLE POWER SUPPLY**  
Power supply 220/240 50/60Hz ON/OFF  
24V 14,4W IP67  
Cod: MID0019



**NOT DIMMABLE POWER SUPPLY**  
Power supply 220/240 50/60Hz ON/OFF  
24V 36W IP67  
Cod: MID0020



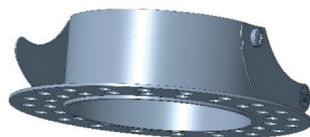
**DIMMABLE POWER SUPPLY**  
Power supply 220/240 50/60Hz ON/OFF  
24V 24W IP67 DALI  
Cod: MID0021



**DRAINING OUTERCASE**  
Outercase draining VITRUM 2  
Cod: VITZZZ001



**SLIM DRAINING OUTERCASE**  
Outercase slim VITRUM 2  
Cod: VITZZZ004



**PLASTERBOARD RING**  
Plasterboard ring VITRUM 2  
Cod: VITZZZ007



**EXTRACTION KIT**  
Suction cup for VITRUM 2  
Cod: VITZZZ010