



VITRUM 2.0

VITRUM 2.0 10° 3000K
HONEYCOMB-10M

Cod: **VIT02DCS100M00**



IdroSkud® protection system

- polarity reversal protection
- voltage spikes protection
- water infiltration protection



Protection class III

Designed to be supplied from a separated extra-low voltage (SELV) power supply



IP 66

Protected against powerful power jets, 100 liters per minute



IP 68

Protected against continuous immersion up to 3 meters



IK 10

Protected against impact of 20 J



High temperatures

Design to withstand temperatures up to +50° C



Walk-over

Fixture design to withstand a static load up to 5 kN



CX - Extreme

corrosion resistance level ISO 9223



Mizar warranty

5 years warranty



Technical description

Fully flush inground luminaire, walk-over, suitable for outdoor and underwater environments (IP66/IP68) with operating temperature range: -20°C / +50°C. Its special feature is that it has a tempered glass screen without metal frame, transparent, with black screen-printed edge. The body is made of black anodized anticorrosive aluminum. The light source consists of a single 3W power Led chip powered at 24Vdc constant voltage with integrated driver. The minimalist design makes it ideal as a lighting fixture for elegant indoor and outdoor environments, as well as for high-humidity situations (spas, wine cellars). The source is set back for greater visual comfort. Color rendering index CRI > 90. Vitrum is equipped with IdroSkud® system to protect electronic components from voltage spikes, polarity reversal and water infiltration. There are optional accessories for anti-glare (honeycomb) and installation accessories (draining, watertight and plasterboard outercase).

Lighting data

| | | | |
|-----------------------------|-----------------------|----------------------|--|
| Source type | single chip power LED | Photobiological risk | RG0 |
| CCT | 3000K | ULR | 100.00% |
| CRI | > 90 | BUG Rating | B0 U1 G0 |
| MacAdam (SDCM) | 2 | CIE Flux Code | 0 0 0 0 100 |
| Source lumen output (lm) | 236 | LED lifetime | L80 B10 50.000h |
| Luminaire lumen output (lm) | 200 | Efficiency class | This product contains a light source of energy efficiency class (EU2019/2015): F |
| Light emission | Narrow | | |
| Beam angle | 10° | | |

Mechanical data

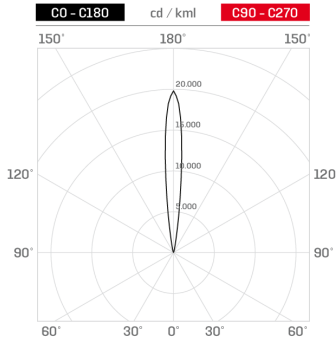
| | | | |
|-------------------------|------------------------------------|-----------------------------|-----------|
| Diameter (mm) | 60 | Optical optional | Honeycomb |
| Height (mm) | 87 | Maximal working temperature | +50° C |
| Weight (g) | 278 | Minimal working temperature | -20° C |
| IP Rating | IP66 / IP68 | Maximal static load (kN) | 5 |
| IK rating | IK10 | Walk-over | Yes |
| Finishing colour | Black silk-screen | Driver-over | No |
| Body material | Anodized aluminum anticorodal 6082 | Maximal surface temperature | +50° C |
| Diffuser material | Extraclear tempered glass | Areas EN 60598-2-13 | A1 / A2 |
| Diffuser thickness (mm) | 10 | Class ISO 9223 | CX |
| Optic type | Technopolymer TIR Lens | | |

Electrical data

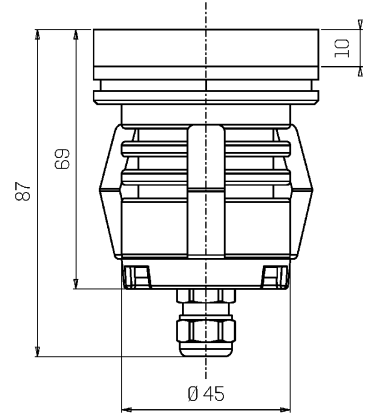
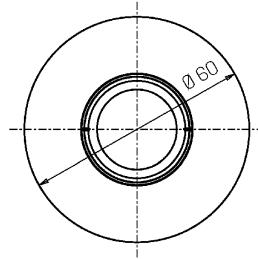
| | | | |
|---------------------------------|----------------------------------|-----------------------------|---------------------|
| Nominal power (W) | 3 | Electrical connection | Parallel connection |
| Power supply (input power type) | Costant voltage - 24V | Idroskud® protection | Yes |
| Ballast | Remote | Inverse polarity protection | Yes |
| Insulation class | III | Voltage spikes protection | Yes |
| Dimmable | Yes | | |
| Power cable type | H05RN - F 2x0,75 mm ² | | |
| Power cable length | 10 m (verify voltage drop) | | |

Photometry

10°



Technical drawing



Accessories



NOT DIMMABLE POWER SUPPLY

Power supply 220/240 50/60Hz ON/OFF
24V 14,4W IP67

Cod: MID0019



NOT DIMMABLE POWER SUPPLY

Power supply 220/240 50/60Hz ON/OFF
24V 36W IP67

Cod: MID0020



DIMMABLE POWER SUPPLY

Power supply 220/240 50/60Hz ON/OFF
24V 24W IP67 DALI

Cod: MID0021



DRAINING OUTERCASE

Outercase draining VITRUM 2

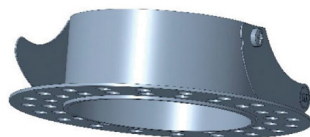
Cod: VITZZZ001



SLIM DRAINING OUTERCASE

Outercase slim VITRUM 2

Cod: VITZZZ004



PLASTERBOARD RING

Plasterboard ring VITRUM 2

Cod: VITZZZ007



EXTRACTION KIT

Suction cup for VITRUM 2

Cod: VITZZZ010