



# VITRUM 2.0

VITRUM 2.0 25° 2700K LOUVRE-10M

Cod: **VIT02CCM200M00**



#### IdroSkud® protection system

- polarity reversal protection
- voltage spikes protection
- water infiltration protection



#### Protection class III

Designed to be supplied from a separated extra-low voltage (SELV) power supply



#### IP 66

Protected against powerful power jets, 100 liters per minute



#### IP 68

Protected against continuous immersion up to 3 meters



#### IK 10

Protected against impact of 20 J



#### High temperatures

Design to withstand temperatures up to +50° C



#### Walk-over

Fixture design to withstand a static load up to 5 kN



#### CX - Extreme

corrosion resistance level ISO 9223



#### Mizar warranty

5 years warranty



## Technical description

Fully flush inground luminaire, walk-over, suitable for outdoor and underwater environments (IP66/IP68) with operating temperature range: -20°C / +50°C. Its special feature is that it has a tempered glass screen without metal frame, transparent, with black screen-printed edge. The body is made of black anodized anticorrosive aluminum. The light source consists of a single 3W power Led chip powered at 24Vdc constant voltage with integrated driver. The minimalist design makes it ideal as a lighting fixture for elegant indoor and outdoor environments, as well as for high-humidity situations (spas, wine cellars). The source is set back for greater visual comfort. Color rendering index CRI > 90. Vitrum is equipped with IdroSkud® system to protect electronic components from voltage spikes, polarity reversal and water infiltration. There are optional anti-glare (honeycomb) and installation accessories (draining, watertight and plasterboard outercase).

### Lighting data

|                             |                       |                      |  |
|-----------------------------|-----------------------|----------------------|--|
| Source type                 | single chip power LED | Photobiological risk | RG0  |
| CCT                         | 2700K                 | ULR                  | 100.00%  |
| CRI                         | > 90                  | BUG Rating           | B0 U1 G0   |
| MacAdam (SDCM)              | 2                     | CIE Flux Code        | 0 0 0 0 100  |
| Source lumen output (lm)    | 236                   | LED lifetime         | L80 B10 50.000h  |
| Luminaire lumen output (lm) | 184                   | Efficiency class     | This product contains a light source of energy efficiency class (EU2019/2015): F |
| Light emission              | Medium                |                      |  |
| Beam angle                  | 25°                   |                      |  |

### Mechanical data

|                         |                                    |                             |         |
|-------------------------|------------------------------------|-----------------------------|---------|
| Diameter (mm)           | 60                                 | Optical optional            | Louvre  |
| Height (mm)             | 87                                 | Maximal working temperature | +50° C  |
| Weight (g)              | 278                                | Minimal working temperature | -20° C  |
| IP Rating               | IP66 / IP68                        | Maximal static load (kN)    | 5       |
| IK rating               | IK10                               | Walk-over                   | Yes     |
| Finishing colour        | Black silk-screen                  | Driver-over                 | No      |
| Body material           | Anodized aluminum anticorodal 6082 | Maximal surface temperature | +50° C  |
| Diffuser material       | Extraclear tempered glass          | Areas EN 60598-2-13         | A1 / A2 |
| Diffuser thickness (mm) | 10                                 | Class ISO 9223              | CX      |
| Optic type              | Technopolymer TIR Lens             |                             |         |

### Electrical data

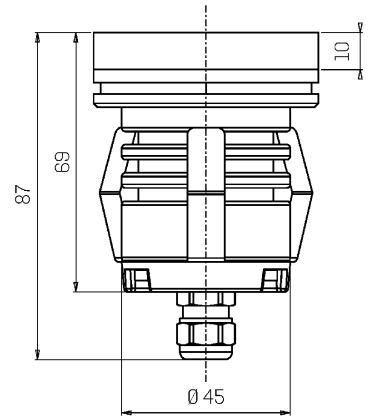
|                                 |                                  |                             |                     |
|---------------------------------|----------------------------------|-----------------------------|---------------------|
| Nominal power (W)               | 3                                | Electrical connection       | Parallel connection |
| Power supply (input power type) | Costant voltage - 24V            | Idroskud® protection        | Yes                 |
| Ballast                         | Remote                           | Inverse polarity protection | Yes                 |
| Insulation class                | III                              | Voltage spikes protection   | Yes                 |
| Dimmable                        | Yes                              |                             |                     |
| Power cable type                | H05RN - F 2x0,75 mm <sup>2</sup> |                             |                     |
| Power cable length              | 10 m (verify voltage drop)       |                             |                     |

Photometry

25°



Technical drawing



Accessories



**NOT DIMMABLE POWER SUPPLY**

Power supply 220/240 50/60Hz ON/OFF  
24V 14,4W IP67

Cod: MID0019



**NOT DIMMABLE POWER SUPPLY**

Power supply 220/240 50/60Hz ON/OFF  
24V 36W IP67

Cod: MID0020



**DIMMABLE POWER SUPPLY**

Power supply 220/240 50/60Hz ON/OFF  
24V 24W IP67 DALI

Cod: MID0021



**DRAINING OUTERCASE**

Outercase draining VITRUM 2

Cod: VITZZZ001



**SLIM DRAINING OUTERCASE**

Outercase slim VITRUM 2

Cod: VITZZZ004



**PLASTERBOARD RING**

Plasterboard ring VITRUM 2

Cod: VITZZZ007



**EXTRACTION KIT**

Suction cup for VITRUM 2

Cod: VITZZZ010