



# VITRUM 2.0

VITRUM 2.0 40° 2700K LOUVRE-10M

Cod: **VIT02CCL200M00**



**IdroSkud® protection system**  
- polarity reversal protection  
- voltage spikes protection  
- water infiltration protection



**Protection class III**  
Designed to be supplied from a separated extra-low voltage (SELV) power supply



**IP 66**  
Protected against powerful power jets, 100 liters per minute



**IP 68**  
Protected against continuous immersion up to 3 meters



**IK 10**  
Protected against impact of 20 J



**High temperatures**  
Design to withstand temperatures up to +50° C



**Walk-over**  
Fixture design to withstand a static load up to 5 kN



**CX - Extreme**  
corrosion resistance level ISO 9223



**Mizar warranty**  
5 years warranty



## Technical description

Fully flush inground luminaire, walk-over , suitable for outdoor and underwater environments (IP66/IP68) with operating temperature range: -20°C / +50°C. Its special feature is that it has a tempered glass screen without metal frame, transparent, with black screen-printed edge. The body is made of black anodized anticorodal aluminum. The light source consists of a single 3W power Led chip powered at 24Vdc constant voltage with integrated driver. The minimalist design makes it ideal as a lighting fixture for elegant indoor and outdoor environments, as well as for high-humidity situations (spas, wine cellars). The source is set back for greater visual comfort. Color rendering index CRI > 90. Vitrum is equipped with IdroSkud® system to protect electronic components from voltage spikes, polarity reversal and water infiltration. There are optionals for anti-glare (honeycomb) and installation accessories (draining, watertight and plasterboard outercase).

### Lighting data

Source type	single chip power LED	Photobiological risk	RG0
CCT	2700K	ULR	100.00%
CRI	> 90	BUG Rating	B0 U1 G0
MacAdam (SDCM)	2	CIE Flux Code	0 0 0 0 100
Source lumen output (lm)	236	LED lifetime	L80 B10 50.000h
Luminaire lumen output (lm)	130	Efficiency class	This product contains a light source of energy efficiency class (EU2019/2015): F
Light emission	Wide		
Beam angle	40°		

### Mechanical data

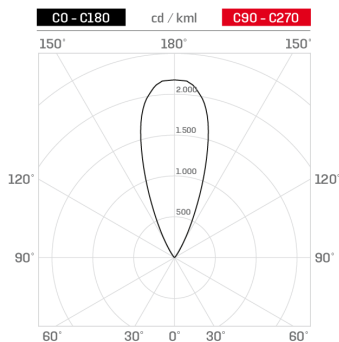
Diameter (mm)	60	Class ISO 9223	CX
Height (mm)	87	Optic type	Technopolymer TIR Lens
Weight (g)	278	Optical optional	Louvre
IP Rating	IP66 / IP68	Maximal working temperature	+50° C
IK rating	IK10	Minimal working temperature	-20° C
Finishing colour	Black silk-screen	Maximal static load (kN)	5
Body material	Anodized aluminum anticorodal 6082	Walk-over	Yes
External screws material	Stainless steel 316L (A4)	Driver-over	No
Diffuser material	Extraclear tempered glass	Maximal surface temperature	+50° C
Diffuser thickness (mm)	10	Areas EN 60598-2-13	A1 / A2

### Electrical data

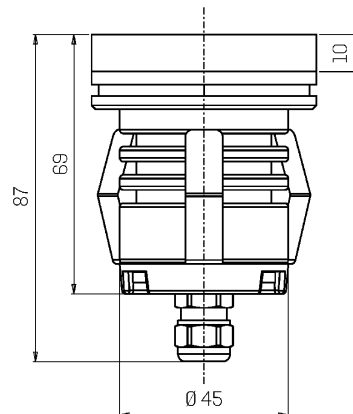
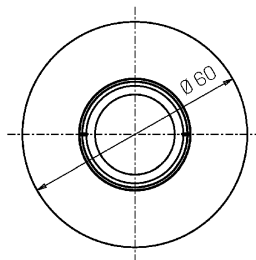
Nominal power (W)	3	Electrical connection	Parallel connection
Power supply (input power type)	Costant voltage - 24V	Idroskud® protection	Yes
Ballast	Remote	Inverse polarity protection	Yes
Insulation class	III	Voltage spikes protection	Yes
Dimmable	Yes		
Power cable type	H05RN - F 2x0,75 mm <sup>2</sup>		
Power cable length	10 m (verify voltage drop), 10 m (verify voltage drop)		

Photometry

40°



Technical drawing



Accessories



**NOT DIMMABLE POWER SUPPLY**

Power supply 220/240 50/60Hz ON/OFF  
24V 14,4W IP67

Cod: MID0019



**NOT DIMMABLE POWER SUPPLY**

Power supply 220/240 50/60Hz ON/OFF  
24V 36W IP67

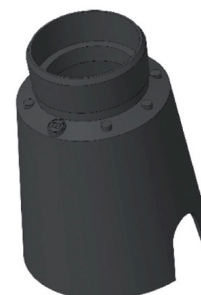
Cod: MID0020



**DIMMABLE POWER SUPPLY**

Power supply 220/240 50/60Hz ON/OFF  
24V 24W IP67 DALI

Cod: MID0021



**DRAINING OUTERCASE**

Outercase draining VITRUM 2

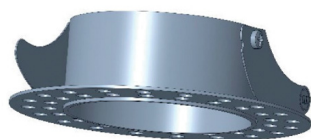
Cod: VITZZ001



**SLIM DRAINING OUTERCASE**

Outercase slim VITRUM 2

Cod: VITZZ004



**PLASTERBOARD RING**

Plasterboard ring VITRUM 2

Cod: VITZZ007



**EXTRACTION KIT**

Suction cup for VITRUM 2

Cod: VITZZ010