



LUCIS 1.0

LUCIS 1.0 RECTANGULAR 4000K
ANTHRACITE RAL7016

Cod: **LUC00FCZ0G0A00**



IdroSkud® protection system

- polarity reversal protection
- voltage spikes protection
- water infiltration protection



Protection class III

Designed to be supplied from a separated extra-low voltage (SELV) power supply



IP 66

Protected against powerful power jets, 100 liters per minute



IP 67

Protected against temporary immersion (30 minutes) up to 1 meter



IK 10

Protected against impact of 20 J



High temperatures

Design to withstand temperatures up to +50° C



C5 - Very high

corrosion resistance level ISO 9223



Mizar warranty

5 years warranty



Technical description

Wall-recessed fixture, suitable for outdoor environments (IP66/IP67), with wide operating temperature range: -20°C / +50°C. The body is made of aluminum protected by polyester epoxy paint to ensure corrosion resistance of 1500 hours in salt spray test. The light source consists of a single 2W power Led chip powered at 24V, constant voltage with integrated driver. The rectangular bezel has an oval opening to obtain a circular diffused light beam oriented toward the floor. The luminous flux and design make it ideal as a walkway marker light for footpaths or flights of stairs. Color rendering index CRI > 90. The Lucis is equipped with IdroSkud® system to protect electronic components from voltage spikes, polarity reversal and water infiltration. Installation accessories are provided (wall and exterior insulation coating outercase).

Lighting data

Source type	single chip power LED	Photobiological risk	RG0
CCT	4000K	ULR	100.00%
CRI	> 90	BUG Rating	B0 U1 G0
MacAdam (SDCM)	3	CIE Flux Code	0 0 0 0 100
Source lumen output (lm)	157	LED lifetime	L80 B10 50.000h
Luminaire lumen output (lm)	22	Efficiency class	This product contains a light source of energy efficiency class (EU2019/2015): F
Light emission	Asymmetrical		
Beam angle	34°		

Mechanical data

Width (mm)	30	Body material	Anodized aluminum anticorodal 6082
Length (mm)	51	External screws material	Stainless steel 316L (A4)
Height (mm)	74	Diffuser material	Polyurethane resin
Weight (g)	135	Class ISO 9223	C5
IP Rating	IP66 / IP67	Optical optional	None
IK rating	IK10	Maximal working temperature	+50° C
Type of finishing	Protective primer followed by epoxy and polyester paint	Minimal working temperature	-20° C
Finishing colour	Anthracite RAL7016		

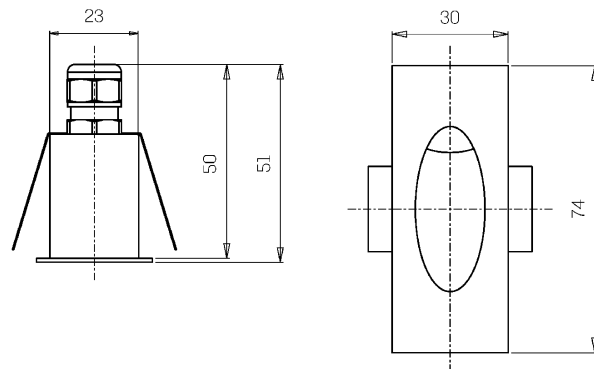
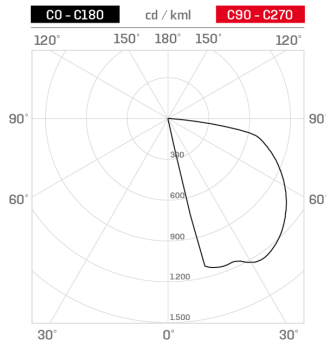
Electrical data

Nominal power (W)	2	Electrical connection	Parallel connection
Power supply (input power type)	Costant voltage - 24V	Idroskud® protection	Yes
Ballast	Remote	Inverse polarity protection	Yes
Insulation class	III	Voltage spikes protection	Yes
Dimmable	Yes		
Power cable type	FR5FOEM7 - AD8 2x0,5 mm ²		
Power cable length	0,4 m		

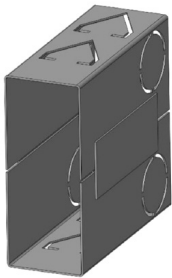
Photometry

Technical drawing

Asymmetrical 34°



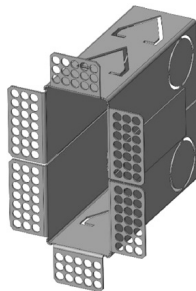
Accessories



WALL OUTERCASE

Outercase standard wall LUCIS

Cod: LUCZZ000



WALL INSULATION OUTERCASE

Outercase wall insulation LUCIS

Cod: LUCZZ001



NOT DIMMABLE POWER SUPPLY

Power supply 220/240 50/60Hz ON/OFF
24V 14,4W IP67

Cod: MID0019



NOT DIMMABLE POWER SUPPLY

Power supply 220/240 50/60Hz ON/OFF
24V 36W IP67

Cod: MID0020



DIMMABLE POWER SUPPLY

Power supply 220/240 50/60Hz ON/OFF
24V 24W IP67 DALI

Cod: MID0021