

# LINEO 2.1

## LINEO 2.1 1010mm OPAL RGBW

Cod: **LNE01PBK000A00**



### IdroSkud® protection system

- polarity reversal protection
- voltage spikes protection
- water infiltration protection



### Protection class III

Designed to be supplied from a separated extra-low voltage (SELV) power supply



### IP 66

Protected against powerful power jets, 100 liters per minute



### IP 67

Protected against temporary immersion (30 minutes) up to 1 meter



### IK 10

Protected against impact of 20 J



### High temperatures

Design to withstand temperatures up to +50° C



### Driver-over

Fixture design to withstand a static load up to 20 kN



### CX - Extreme

corrosion resistance level ISO 9223



### RGBW luminaire

Light source allows to mix colours controlling four channels



### Mizar warranty

5 years warranty



## Technical description

Linear inground luminaire, drive-over, suitable for outdoor environments (IP66/IP67), with operating temperature range: -20°C / +50°C. The body is made of PMMA, transparent and opal on the upper side; the endcaps are made of 316L stainless steel. The light source consists of Chip Led SMD3014 (4000K) and Led SMD3528 (RGB), powered at 24V with built-in driver. The luminous flux makes it ideal for marking pedestrian and driveway paths, or creating light cuts on floors, walls and ceilings. Color rendering index CRI > 80. Lineo is equipped with IdroSkud® system to protect electronic components from voltage spikes, polarity reversal and water infiltration. Installation accessories are provided (floor and plasterboard outercase; cable extensions up to 15 m).

### Lighting data

|                             |                          |                      |  |
|-----------------------------|--------------------------|----------------------|--|
| Source type                 | SMD chip 3014 + SMD chip | Photobiological risk | RG0  |
|                             | 3528                     | ULR                  | 100.00%  |
| CCT                         | RGBW (4000K)             | BUG Rating           | B0 U1 G0   |
| CRI                         | > 80                     | CIE Flux Code        | 0 0 0 0 100  |
| MacAdam (SDCM)              | 3                        | LED lifetime         | L80 B10 50.000h  |
| Source lumen output (lm)    | 1876                     | Efficiency class     | This product contains a light source of energy efficiency class (EU2019/2015): E |
| Luminaire lumen output (lm) | 394                      |                      |  |
| Light emission              | Diffused                 |                      |  |
| Beam angle                  | 120°                     |                      |  |

### Mechanical data

|                          |                           |                             |                   |
|--------------------------|---------------------------|-----------------------------|-------------------|
| Width (mm)               | 27                        | Diffuser material           | Opal PMMA         |
| Length (mm)              | 1010                      | Class ISO 9223              | CX                |
| Height (mm)              | 49                        | Optical optional            | None              |
| Weight (g)               | 975                       | Maximal working temperature | +50° C            |
| IP Rating                | IP66 / IP67               | Minimal working temperature | -20° C            |
| IK rating                | IK10                      | Maximal static load (kN)    | 20                |
| Finishing colour         | Opal white                | Walk-over                   | Yes               |
| Frame material           | Stainless steel 316L      | Driver-over                 | Yes               |
| Body material            | Trasparent PMMA           | Maximal surface temperature | +50° C            |
| External screws material | Stainless steel 316L (A4) | Areas EN 60598-2-13         | A1 / A2 / A3 / A4 |

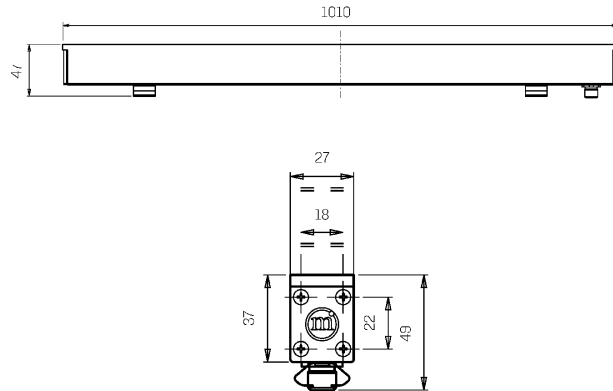
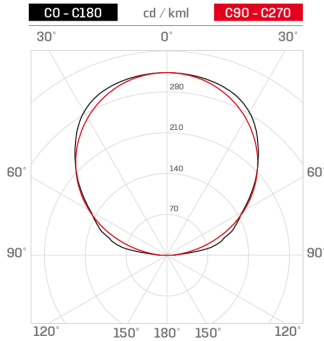
### Electrical data

|                                 |                       |                             |                     |
|---------------------------------|-----------------------|-----------------------------|---------------------|
| Nominal power (W)               | 24                    | Electrical connection       | Parallel connection |
| Power supply (input power type) | Costant voltage - 24V | Idroskud® protection        | Yes                 |
| Ballast                         | Remote                | Inverse polarity protection | Yes                 |
| Insulation class                | III                   | Voltage spikes protection   | Yes                 |
| Dimmable                        | Yes                   |                             |                     |
| Connector type                  | M12 - 5 poles IP67    |                             |                     |
| Power cable length              | 0,4 m                 |                             |                     |

Photometry

Technical drawing

Diffused



Accessories



**FLOOR OUTERCASE 1011 MM**

Outercase PC for floor 1011mm LINEO

Cod: LNEZZZ001



**PLASTER OUTERCASE 1011 MM**

Outercase PC for plasterboard 1011mm LINEO

Cod: LNEZZZ004



**EXTENSION 0,5 M**

5-pole extension 0.5m OT/Ni rings for LINEO

Cod: LNEZZZ012



**EXTENSION 1 M**

5-pole extension 1m OT/Ni rings for LINEO

Cod: LNEZZZ013



**EXTENSION 1,5 M**

5-pole extension 1.5m OT/Ni rings for LINEO

Cod: LNEZZZ014



**EXTENSION 5 M**

5-pole extension 5m OT/Ni rings for LINEO

Cod: LNEZZZ015



**EXTENSION 10 M**

5-pole extension 10m OT/Ni rings for LINEO

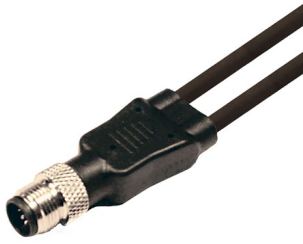
Cod: LNEZZZ016



**EXTENSION 15 M**

5-pole extension 15m OT/Ni rings for LINEO

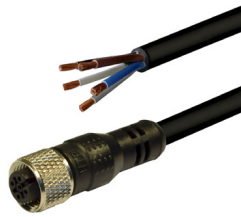
Cod: LNEZZZ017



**SPLITTER 2 WAY**

2-way 5-pole splitter with OT/NI rings for LINEO

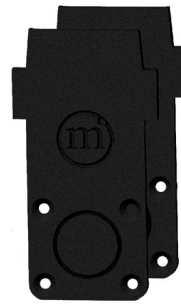
Cod: LNEZZZ019



**POWER CABLE**

Power cable 5 poles - M12 female 1,5m

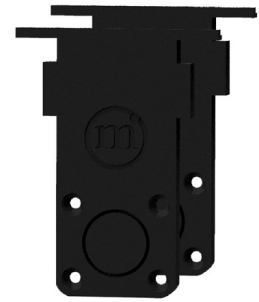
Cod: LNEZZZ021



**OUTERCASE HEAD KIT**

Head kit for ground LINEO outercase

Cod: LNEZZZ022



**PLASTER OUTERCASE HEAD KIT**

Head kit for plasterboard LINEO outercase

Cod: LNEZZZ023



**OUTERCASE FIXING KIT**

Fixing kit for LINEO outercase

Cod: LNEZZZ024



**OUTERCASE COUPLING KIT**

Bracket kit for coupling LINEO outercase

Cod: LNEZZZ025



**EXTRACTION KIT**

Extraction kit from outercase for LINEO

Cod: LNEZZZ026



**RGBW CONTROL UNIT**

Control unit WT5 5-channel RGBW PWM/WiFi

Cod: MID0023



**NOT DIMMABLE POWER SUPPLY**

Power supply DC 24V 70W 2,9A IP67

Cod: MID0028



**RGBW REMOTE**

Remote control RGBW RT 4zone RF 2.4GHz

Cod: MID1000



**RGBW TOUCH PANEL**

Touch wall panel RGBW 4 zone

Cod: MID1001