



# VITRUM

---

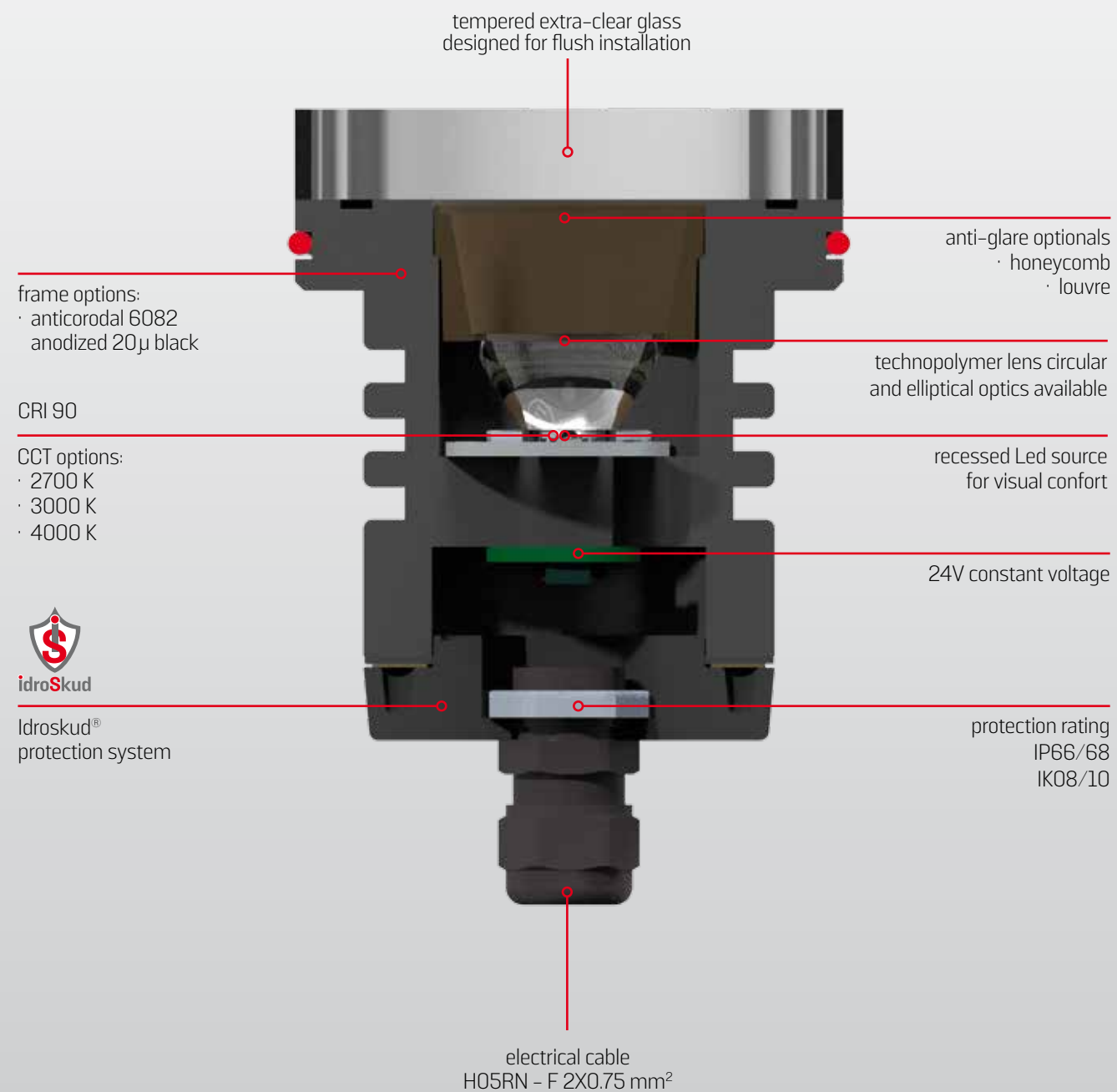
OUTDOOR WALK-OVER  
FULLY FLUSH INGROUNDS





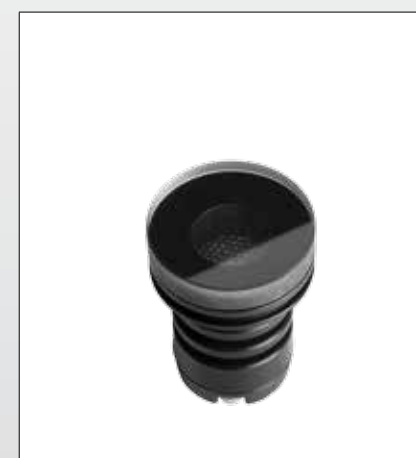
# VITRUM

## CONSTRUCTION FEATURES



# VITRUM

## FAMILY RANGE



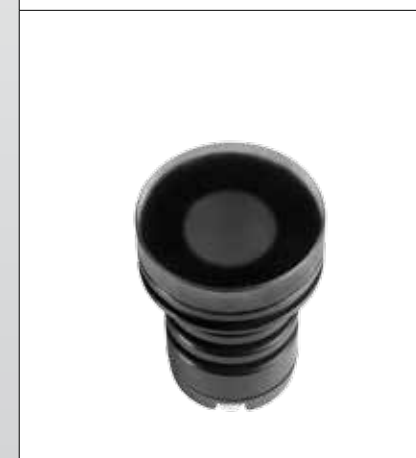
VITRUM 1.0



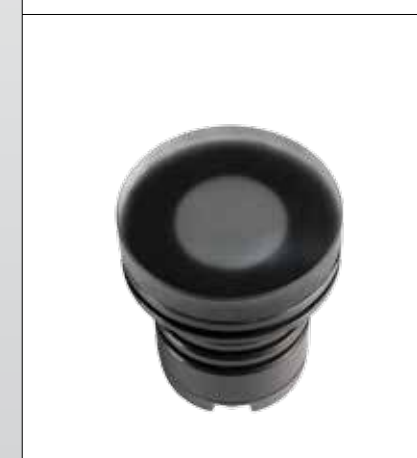
VITRUM 2.0



VITRUM 3.0



VITRUM 1.1



VITRUM 2.1



VITRUM 3.1

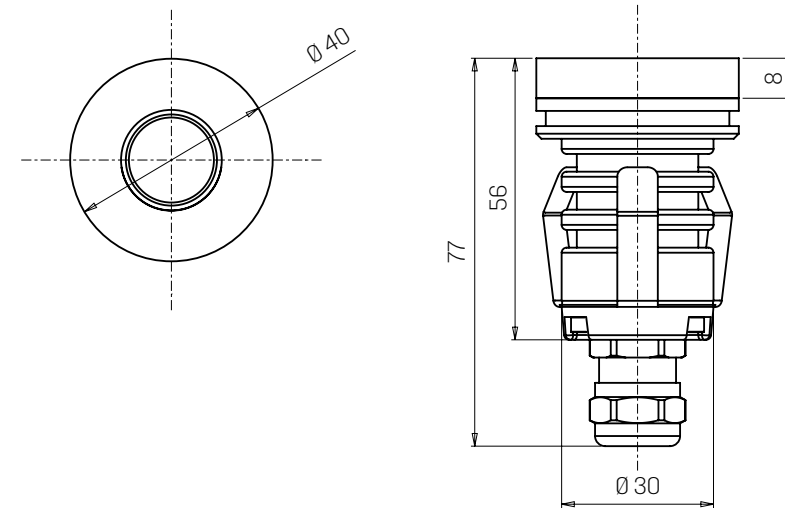
# VITRUM 1.0



Inground **walk-over** luminaire, suitable for **outdoor** and **underwater** use (IP66/IP68) with operating temperature range: **-20°C / +50°C**.  
 It's characterized by a **tempered glass screen without a metal frame, transparent**, with internal black silkscreen. The body is in black anodized anticorodal aluminium. The light source consists of a single 2W power LED chip powered by 24Vdc constant voltage.  
 The essential design makes it **ideal** as a lighting fixture for elegant indoor and outdoor environments, as well as for situations with high humidity (spa, cellars). The luminous flux up to **125 lm** (3000K), with 10°, 36° and 60° circular emission angles and 10°x53° **elliptical**. The source is set back for greater visual comfort.  
 Different **colour temperatures** are available: 2700K, 3000K, 4000K with CRI > 90.  
 Vitrum 1.0 is equipped with the **IdroSkud®** system for the protection of electronic components from voltage spikes, polarity reversal (protection) and water infiltration. Optional anti-glare options (honeycomb) and installation accessories are provided (draining and slim draining outer case, plasterboard ring).  
 The length of the electrical cable is 0.4m; on request: 1.5m, 5m, 10m, 15m.

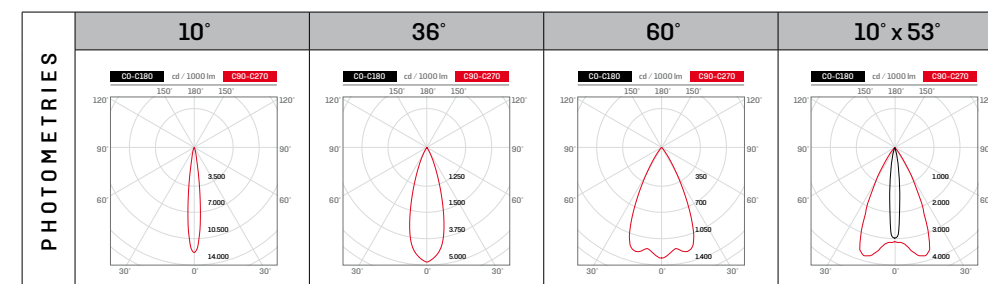
power	2W - single chip Power Led
power supply	24V constant voltage
insulation class	III class
IP rating	IP66 / IP68
IK rating	IK10
operating temperature	-20°C / +50°C
size	Ø 40 x 77 mm
light source flux	178 lm (3000K)
effective flux	up to 125 lm (3000K)
beam angles	circular 10° - 36° - 60° - elliptical 10° x 53°
CCT	2700K - 3000K - 4000K
CRI	> 90
BIN selection	2 Step MacAdam

lifetime	L80 B10 50.000 h
body	anticorodal 6082 black anodized 20µ aluminium
screen	tempered extra-clear glass - 8 mm black printed
installation	with outer case
power cable	0,4 m H05RN - F 2X0,75 mm <sup>2</sup>
electrical connection	parallel
weight	113 g
protection system	IdroSkud® System _ polarity reversal protection _ voltage spikes protection _ water infiltration protection
made in	ITALY



OPTIONALS	honeycomb	cable m 0.4, 1.5, 5, 10, 15

ACCESSORIES	draining outer case VITZZZ000	slim draining outer case VITZZZ003	plasterboard ring VITZZZ006
	mm Ø 87 x 125,5	mm Ø 60 x 104	under definition
<b>power supply</b> for recommended models see page 72 of the catalogue			



PRODUCT CODE CONFIGURATION



family	
VIT	MIZAR VITRUM
model	
O1	VITRUM1
CCT	
C	2700 K
D	3000 K
F	4000 K
CRI	
C	> 90
beam angles	
S	10°
M	36°
L	60°
E	10°x53° ell.
optionals	
O	no one
I	honeycomb
glass finishing	
OO	black silkscreen
cable length	
A	0,4 m
C	1,5 m
H	5 m
D	10 m
E	15 m
variant	
OO	standard

For correct code composition see instructions on page 151 of the catalogue or go to [www.mizar.it](http://www.mizar.it)





# VITRUM 1.1

Inground **walk-over** luminaire, suitable for **outdoor** and **underwater** use (IP66/IP68) with operating temperature range: **-20°C / +50°C**.

It's characterized by a **tempered glass screen without a metal frame with internal opal, with internal black silkscreen**.

The body is in black anodized anticorodal aluminium. The light source consists of a single 2W power LED chip powered by 24Vdc constant voltage.

The essential design makes it **ideal** as a lighting fixture for elegant indoor and outdoor environments, as well as for situations with high humidity (spa, cellars).

The luminous flux up to **95 lm** (3000K), with widespread emission.

The source is set back for greater visual comfort.

Different **colour temperatures** are available: 2700K, 3000K, 4000K with CRI > 90.

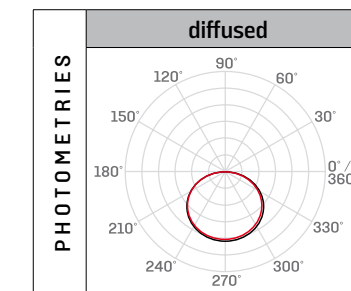
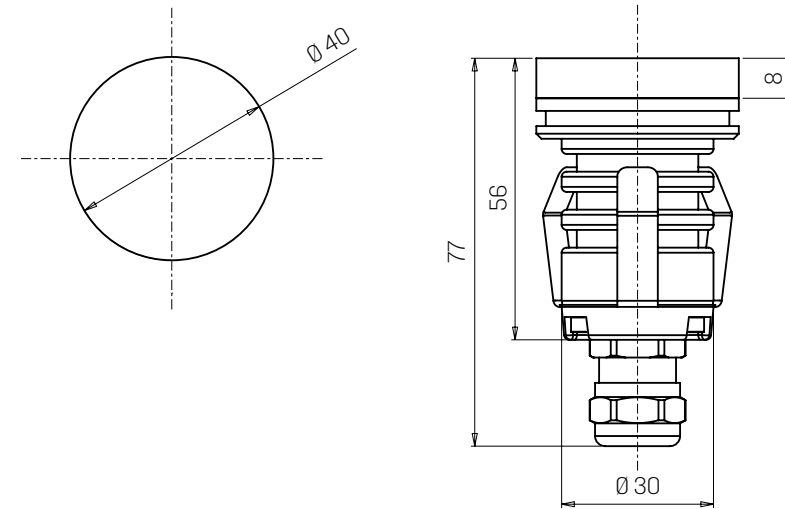
Vitrum 1.1 is equipped with the **IdroSkud®** system for the protection of electronic components from voltage spikes, polarity reversal (protection) and water infiltration.

Optional for installation accessories are provided (draining and slim draining outer case, plasterboard ring).

The length of the electrical cable is 0.4m; on request: 1.5m, 5m, 10m, 15m.

power	2W - single chip Power Led
power supply	24V constant voltage
insulation class	III class
IP rating	IP66 / IP68
IK rating	IK10
operating temperature	-20°C / +50°C
size	Ø 40 x 77 mm
light source flux	178 lm (3000K)
effective flux	up to 95 lm (3000K)
beam angles	10° - 36° - 60° - elliptical 10° x 53°
CCT	2700K - 3000K - 4000K
CRI	> 90
BIN selection	2 Step MacAdam

lifetime	L80 B10 50.000 h
body	anticorodal 6082 black anodized 20µ aluminium
screen	tempered extra-clear glass - 8 mm satin finish
installation	with outer case
power cable	0,4 m H05RN - F 2X0,75 mm <sup>2</sup>
electrical connection	parallel
weight	113 g
protection system	IdroSkud® System - polarity reversal protection - voltage spikes protection - water infiltration protection
made in	ITALY



ACCESSORIES	draining outer case	slim draining outer case	plasterboard ring
	VITZZZ000	VITZZZ003	VITZZZ006
	mm Ø 87 x 125,5	mm Ø 60 x 104	under definition
<b>power supply</b> for recommended models see page 72 of the catalogue			



**family**

VIT	MIZAR VITRUM
-----	--------------

**model**

O1	VITRUM1.1
----	-----------

**CCT**

C	2700 K	
D	3000 K	
F	4000 K	

**CRI**

C	> 90
---	------

**beam angles**

D	diffused	
---	----------	--

**optionals**

O	no one	
---	--------	--

**glass finishing**

O1	black silkscreen
----	------------------

**cable length**

A	0,4 m
C	1,5 m
H	5 m
D	10 m
E	15 m

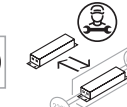
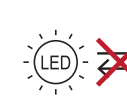
**variant**

00	standard
----	----------

For correct code composition see instructions on page 151 of the catalogue or go to [www.mizar.it](http://www.mizar.it)



This product contains a light source of energy efficiency **F** (data referring to models with CCT 3000K)



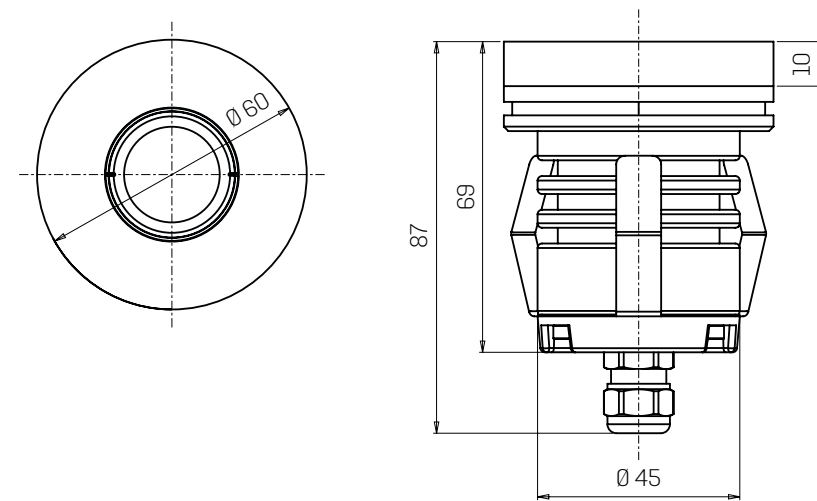


# VITRUM 2.0

Inground **walk-over** luminaire, suitable for **outdoor** and **underwater** use (IP66/IP68) with operating temperature range: **-20°C / +50°C**.  
 It's characterized by a **tempered glass screen without a metal frame, transparent**, with black silk-screened edge. The body is in black anodized anticorodal aluminium. The light source consists of a single 3W power LED chip powered by 24Vdc constant voltage. The essential design makes it **ideal** as a lighting fixture for elegant indoor and outdoor environments, as well as for situations with high humidity (spa, cellars). The luminous flux up to **165 lm** (3000K), with 10°, 25° and 40° circular emission angles and 10°x 45° **elliptical**. The source is set back for greater visual comfort. Different **colour temperatures** are available: 2700K, 3000K, 4000K with CRI > 90. Vitrum 2.0 is equipped with the **IdroSkud®** system for the protection of electronic components from voltage spikes, polarity reversal (protection) and water infiltration. Optional anti-glare options (honeycomb and louvre) and installation accessories are provided (draining and slim draining outer case, plasterboard ring). The length of the electrical cable is 0.4m; on request: 1.5m, 5m, 10m, 15m.

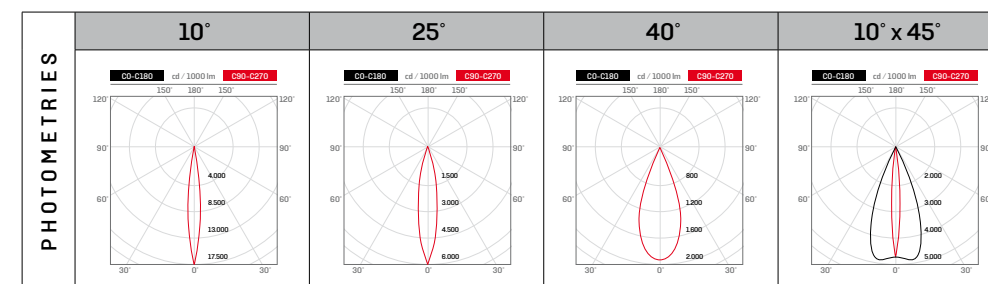
power	3W - single chip Power Led
power supply	24V constant voltage
insulation class	III class
IP rating	IP66 / IP68
IK rating	IK10
operating temperature	-20°C / +50°C
size	Ø 60 x 87 mm
light source flux	236 lm (3000K)
effective flux	up to 165 lm (3000K)
beam angles	circular 10° - 25° - 40°; elliptical 10° x 45°
CCT	2700K - 3000K - 4000K
CRI	> 90
BIN selection	2 Step MacAdam

lifetime	L80 B10 50.000 h
body	anticorodal 6082 black anodized 20µ aluminium
screen	tempered extra-clear glass - 10 mm black printed
installation	with outer case
power cable	0,4 m H05RN - F 2X0,75 mm <sup>2</sup>
electrical connection	parallel
weight	278 g
protection system	IdroSkud® System _ polarity reversal protection _ voltage spikes protection _ water infiltration protection
made in	ITALY



OPTIONALS	honeycomb	louvre	cabla m 0,4, 1,5, 5, 10, 15

ACCESSORIES	draining outer case VITZZZ001	slim draining outer case VITZZZ004	plasterboard ring VITZZZ007
	mm Ø 104 x 138	mm Ø 80 x 116,5	under definition
<b>power supply</b> for recommended models see page 72 of the catalogue			



PRODUCT CODE CONFIGURATION

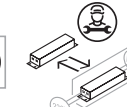
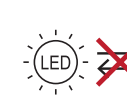


<b>family</b>	
VIT	MIZAR VITRUM
<b>model</b>	
02	VITRUM 2.0
<b>CCT</b>	
C	2700 K
D	3000 K
F	4000 K
<b>CRI</b>	
C	> 90
<b>beam angles</b>	
S	10°
M	25°
L	40°
E	10°x45° ell.
<b>optionals</b>	
0	no one
1	honeycomb
2	louvre
<b>glass finishing</b>	
00	black silkscreen
<b>cable length</b>	
A	0,4 m
C	1,5 m
H	5 m
D	10 m
E	15 m
<b>variant</b>	
00	standard

For correct code composition see instructions on page 151 of the catalogue or go to [www.mizar.it](http://www.mizar.it)



This product contains a light source of energy efficiency **F** (data referring to models with CCT 3000K)







# VITRUM 2.1

Inground **walk-over** luminaire, suitable for **outdoor** and **underwater** use (IP66/IP68) with operating temperature range: **-20°C / +50°C**.

It's characterized by a **tempered glass screen without a metal frame with satin finish**.

The body is in black anodized anticorodal aluminium. The light source consists of a single 3W power LED chip powered by 24Vdc constant voltage.

The essential design makes it **ideal** as a lighting fixture for elegant indoor and outdoor environments, as well as for situations with high humidity (spa, cellars).

The luminous flux up to **125 lm** (3000K), with widespread emission.

The source is set back for greater visual comfort.


Different **colour temperatures** are available: 2700K, 3000K, 4000K with CRI > 90.

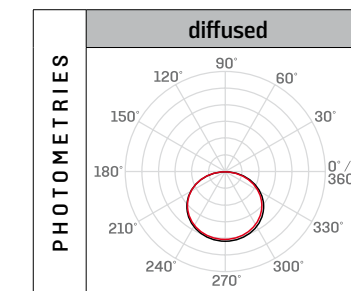
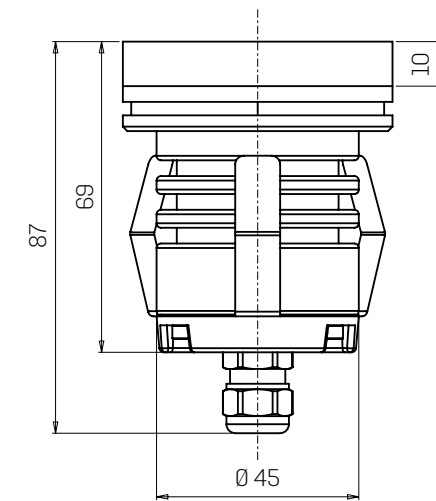
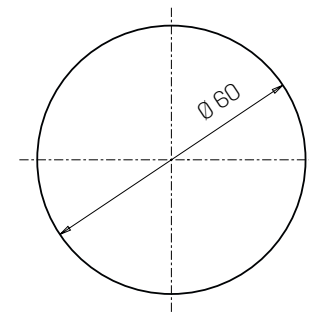
Vitrum 2.1 is equipped with the **IdroSkud®** system for the protection of electronic components from voltage spikes, polarity reversal (protection) and water infiltration.

Optional for installation accessories are provided (draining and slim draining outer case, plasterboard ring).

The length of the electrical cable is 0.4m; on request: 1.5m, 5m, 10m, 15m.

power	3W - single chip Power Led
power supply	24V constant voltage
insulation class	III class
IP rating	IP66 / IP68
IK rating	IK10
operating temperature	-20°C / +50°C
size	Ø 60 x 93 mm
light source flux	236 lm (3000K)
effective flux	up to 125 lm (3000K)
beam angles	diffused
CCT	2700K - 3000K - 4000K
CRI	> 90
BIN selection	2 Step MacAdam

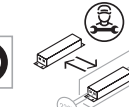
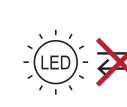
lifetime	L80 B10 50.000 h
body	anticorodal 6082 black anodized 20µ aluminium
screen	tempered extra-clear glass - 10 mm satin finish
installation	with outer case
power cable	H05RN - F 2X0,75 mm²
electrical connection	parallel
weight	278 g
protection system	IdroSkud® System _ polarity reversal protection _ voltage spikes protection _ water infiltration protection
made in	ITALY 



ACCESSORIES	draining outer case	slim draining outer case	plasterboard ring
	VITZZZ001	VITZZZ004	VITZZZ007
			
	mm Ø 104 x 138	mm Ø 80 x 116,5	under definition
<b>power supply</b> for recommended models see page 72 of the catalogue			



This product contains a light source of energy efficiency **F** (data referring to models with CCT 3000K)



## VITRUM 2.1

PRODUCT CODE CONFIGURATION



<b>family</b>	
VIT	MIZAR VITRUM
<b>model</b>	
02	VITRUM 2.1
<b>CCT</b>	
C	2700 K 
D	3000 K 
F	4000 K 
<b>CRI</b>	
C	> 90
<b>beam angles</b>	
D	diffused 
<b>optionals</b>	
O	no one
<b>glass finishing</b>	
01	black silkscreen
<b>cable length</b>	
A	0,4 m
C	1,5 m
H	5 m
D	10 m
E	15 m
<b>variant</b>	
00	standard

For correct code composition see instructions on page 151 of the catalogue or go to [www.mizar.it](http://www.mizar.it)





# VITRUM 3.0

Inground **walk-over** luminaire, suitable for **outdoor** and **underwater** use (IP66/IP68) with operating temperature range: **-20°C / +50°C**.

It's characterized by a **tempered glass screen without a metal frame, transparent**, with black silk-screened edge.

The body is in black anodized anticorrosive aluminium.

The light source consists of a single 7W power LED chip powered by 24Vdc constant voltage.

The essential design makes it **ideal** as a lighting fixture for elegant indoor and outdoor environments, as well as for situations with high humidity (spa, cellars).

The luminous flux up to **316 lm** (3000K), with 5°, 20° and 60° circular emission angles and 15°x 60° **elliptical**.

The source is set back for greater visual comfort.

Different **colour temperatures** are available: 2700K, 3000K, 4000K with CRI > 90.

Vitrum 3.0 is equipped with the **IdroSkud®** system for the protection of electronic components from voltage spikes, polarity reversal (protection) and water infiltration.

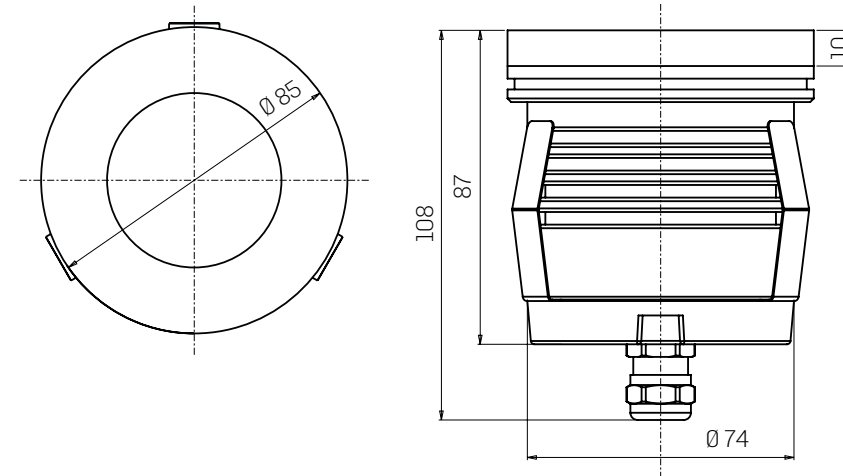
Optional anti-glare options (honeycomb and louvre) and installation accessories are provided

(draining and slim draining outer case, plasterboard ring).

The length of the electrical cable is 0.4m; on request: 1.5m, 5m, 10m, 15m.

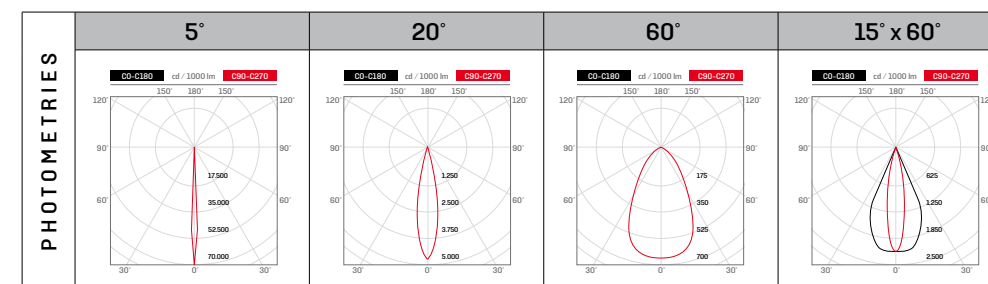
power	7W - single chip Power Led
power supply	24V constant voltage
insulation class	III class
IP rating	IP66 / IP68
IK rating	IK10
operating temperature	-20°C / +50°C
size	Ø 85 x 108 mm
light source flux	380 lm (3000K)
effective flux	up to 316 lm (3000K)
beam angles	circular 5° - 20° - 60°; elliptical 15° x 60°
CCT	2700K - 3000K - 4000K
CRI	> 90
BIN selection	2 Step MacAdam

lifetime	L80 B10 50.000 h
body	anticorrosive 6082 black anodized 20µ aluminium
screen	tempered extra-clear glass - 10 mm black printed
installation	with outer case
power cable	0,4 m H05RN - F 2X0,75 mm <sup>2</sup>
electrical connection	parallel
weight	632 g
protection system	IdroSkud® System - polarity reversal protection - voltage spikes protection - water infiltration protection
made in	ITALY



OPTIONALS	honeycomb	louvre	cabla m 0,4, 1,5, 5, 10, 15

ACCESSORIES	draining outer case VITZZZ002	slim draining outer case VITZZZ005	plasterboard ring VITZZZ008
	mm Ø 140 x 158	mm Ø 100 x 148,3	under definition
<b>power supply</b> for recommended models see page 72 of the catalogue			



PRODUCT CODE CONFIGURATION



<b>family</b>	
VIT	MIZAR VITRUM
<b>model</b>	
03	VITRUM 3.0
<b>CCT</b>	
C	2700 K
D	3000 K
F	4000 K
<b>CRI</b>	
C	> 90
<b>beam angles</b>	
S	5°
M	20°
L	60°
E	15°x60° ell.
<b>optionals</b>	
0	no one
1	honeycomb
2	louvre
<b>glass finishing</b>	
00	black silkscreen
<b>cable length</b>	
A	0,4 m
C	1,5 m
H	5 m
D	10 m
E	15 m
<b>variant</b>	
00	standard

For correct code composition see instructions on page 151 of the catalogue or go to [www.mizar.it](http://www.mizar.it)





# VITRUM 3.1

Inground **walk-over** luminaire, suitable for **outdoor** and **underwater** use (IP66/IP68) with operating temperature range: **-20°C / +50°C**.

It's characterized by a **tempered glass screen without a metal frame with satin finish**.

The body is in black anodized anticorodal aluminium. The light source consists of a single 7W power LED chip powered by 24Vdc constant voltage.

The essential design makes it **ideal** as a lighting fixture for elegant indoor and outdoor environments, as well as for situations with high humidity (spa, cellars).


The luminous flux up to **290 lm** (3000K), with widespread emission.

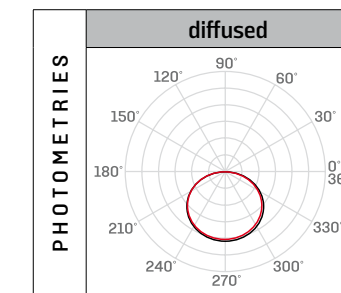
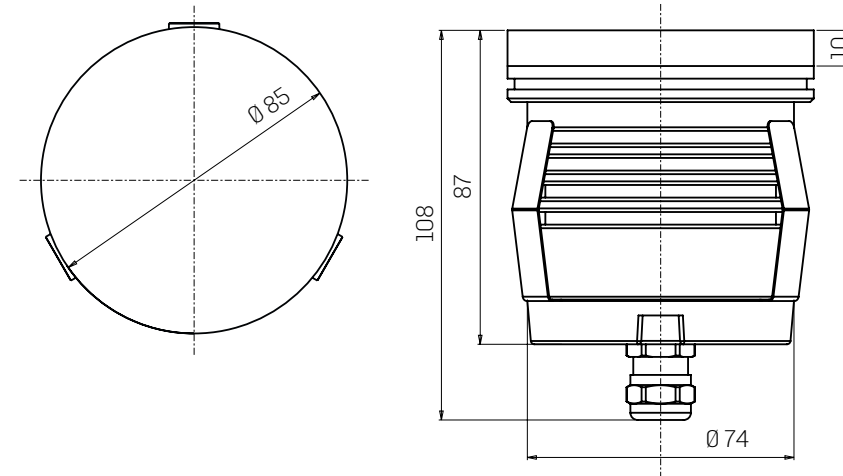
The source is set back for greater visual comfort.



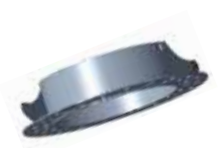
Different colour temperatures are available: 2700K, 3000K, 4000K with CRI > 90.

Vitrum 3.1 is equipped with the **IdroSkud®** system for the protection of electronic components from voltage spikes, polarity reversal (protection) and water infiltration. Optional for installation accessories are provided (draining and slim draining outer case, plasterboard ring). The length of the electrical cable is 0.4m; on request: 1.5m, 5m, 10m, 15m.

power	7W - single chip Power Led
power supply	24V constant voltage
insulation class	III class
IP rating	IP66 / IP68
IK rating	IK10
operating temperature	-20°C / +50°C
size	Ø 85 x 108 mm
light source flux	380 lm (3000K)
effective flux	up to 290 lm (3000K)
beam angles	diffused
CCT	2700K - 3000K - 4000K
CRI	> 90
BIN selection	2 Step MacAdam

lifetime	L80 B10 50.000 h
body	anticorodal 6082 black anodized 20µ aluminium
screen	tempered extra-clear glass - 10 mm satin finish
installation	with outer case
power cable	H05RN - F 2X0,75 mm <sup>2</sup>
electrical connection	parallel
weight	632 g
protection system	IdroSkud® System _ polarity reversal protection _ voltage spikes protection _ water infiltration protection
made in	ITALY 







<b>ACCESSORIES</b>	<b>draining outer case</b>	<b>slim draining outer case</b>	<b>plasterboard ring</b>
	<b>VITZZZ002</b>	<b>VITZZZ005</b>	<b>VITZZZ008</b>
			
	mm Ø 140 x 158	mm Ø 100 x 148,3	under definition
<b>power supply</b> for recommended models see page 72 of the catalogue			



# VITRUM 3.1

PRODUCT CODE CONFIGURATION



<b>family</b>	
VIT	MIZAR VITRUM
<b>model</b>	
03	VITRUM 3.1
<b>CCT</b>	
C	2700 K 
D	3000 K 
F	4000 K 
<b>CRI</b>	
C	> 90
<b>beam angles</b>	
D	diffused 
<b>optionals</b>	
O	no one
<b>glass finishing</b>	
O1	black silkscreen
<b>cable length</b>	
A	0,4 m
C	1,5 m
H	5 m
D	10 m
E	15 m
<b>variant</b>	
00	standard

For correct code composition see instructions on page 151 of the catalogue or go to [www.mizar.it](http://www.mizar.it)





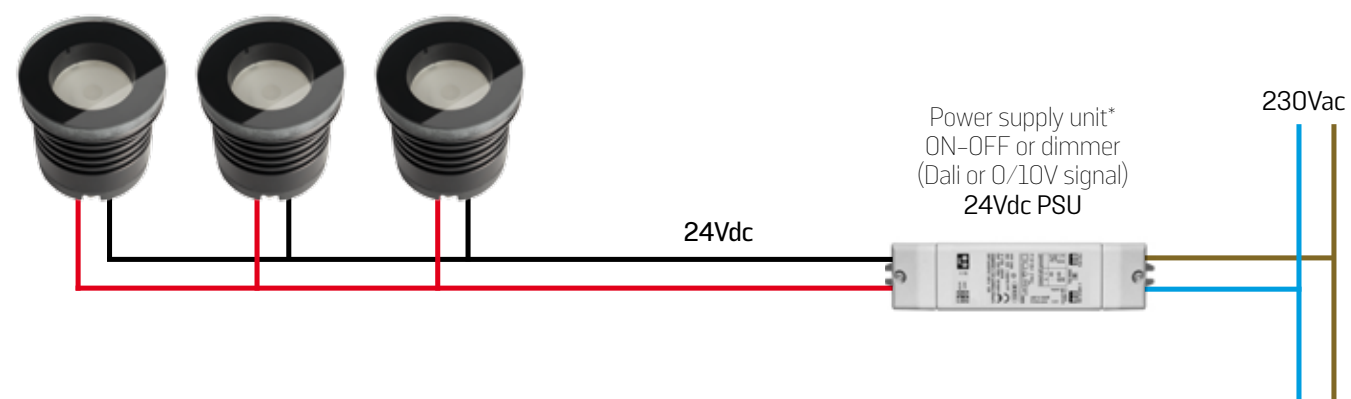


# VITRUM




## PARALLEL ELECTRICAL CONNECTION

ON-OFF OR DIMMER SYSTEM (DALI OR 0-10V SIGNAL)

All lights are signed for parallel connection with ON-OFF or dimmer power supply units



\* The power supply unit must have sufficient power to supply the number of lights in the circuit plus a tolerance of 30% to handle the inrush current

SUGGESTED POWER SUPPLY	code	OUT tension	output max	W max	IP	supported spotlight model	number of spotlights	
	MID0019	24V	600mA dc	14,4 W	IP67	VITRUM 1.0 - 1.1	5	
VITRUM 2.0 - 2.1						3		
VITRUM 3.0 - 3.1						1		
MID0020	24V	1500mA dc	24 W	IP67	VITRUM 1.0 - 1.1	11		
					VITRUM 2.0 - 2.1	10		
					VITRUM 3.0 - 3.1	3		
MID0021	DALI 24V	1000mA dc	24 W	IP67	VITRUM 1.0 - 1.1	9		
					VITRUM 2.0 - 2.1	6		
					VITRUM 3.0 - 3.1	2		

