



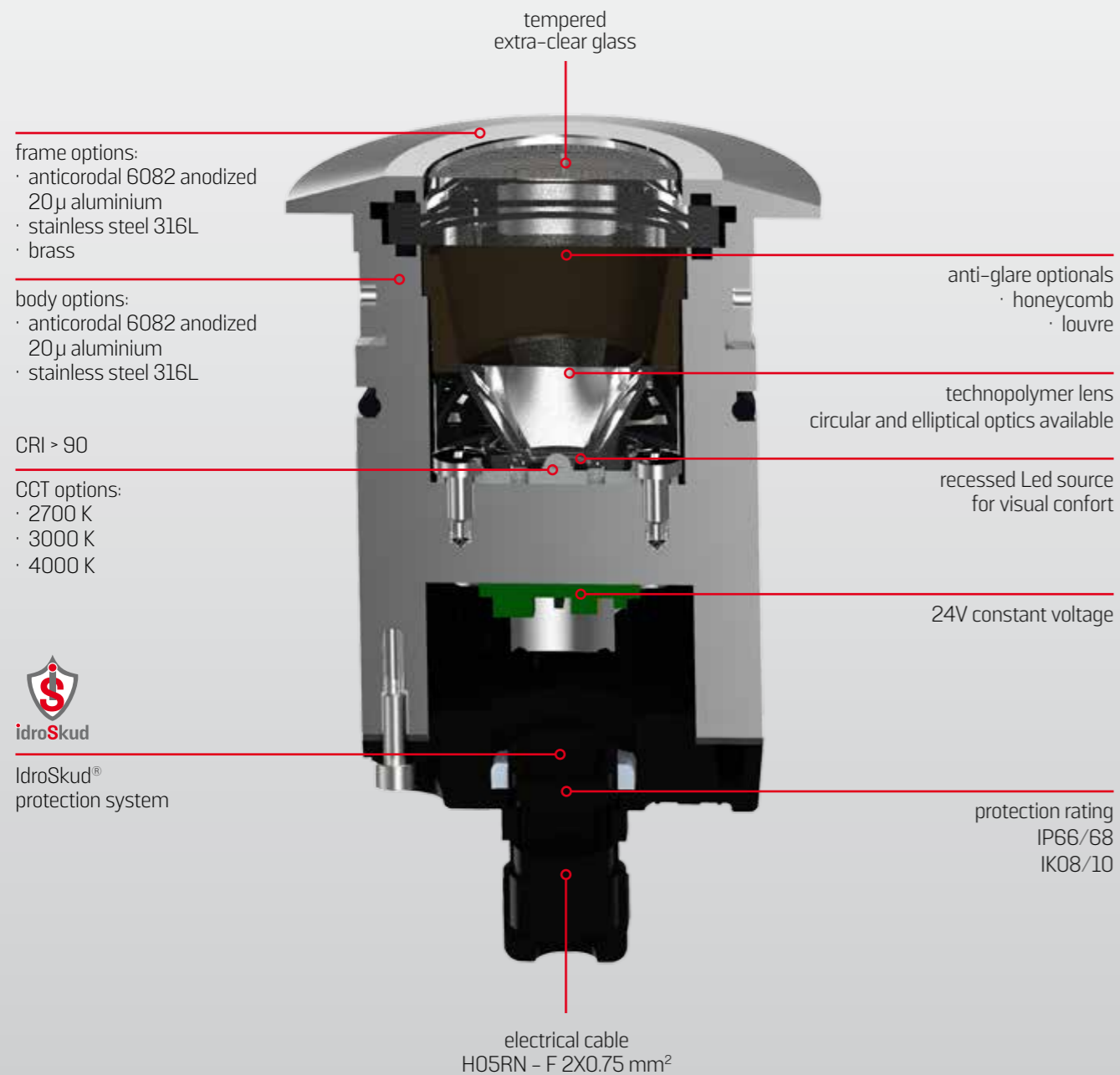
OCEANO

WALK-OVER AND DRIVE-OVER
OUTDOOR INGROUNDS



OCEANO

CONSTRUCTION FEATURES



ITALIAN DESIGN



OCEANO

WALK-OVER



DRIVE-OVER



WALK-OVER GRAZING EMISSION



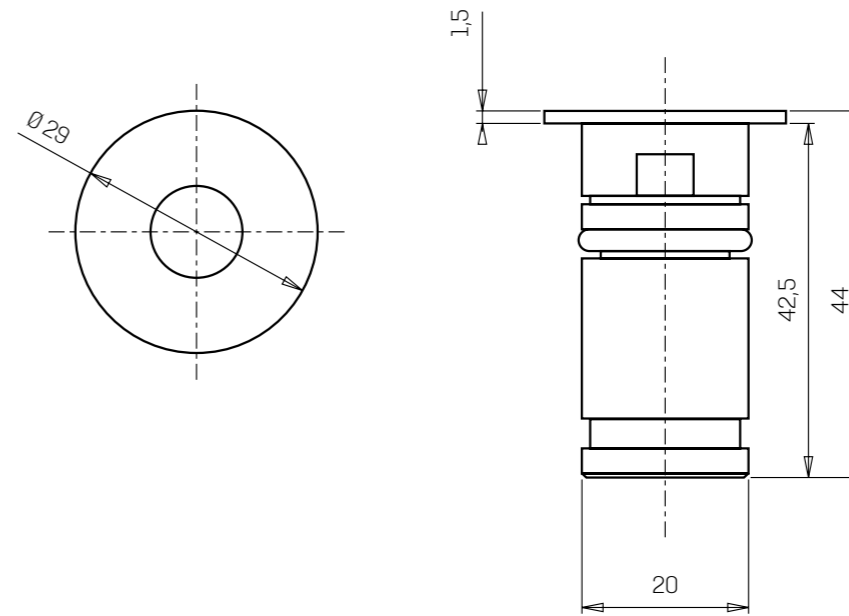
OCEANO 1.0



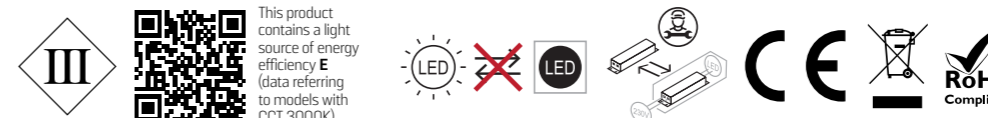
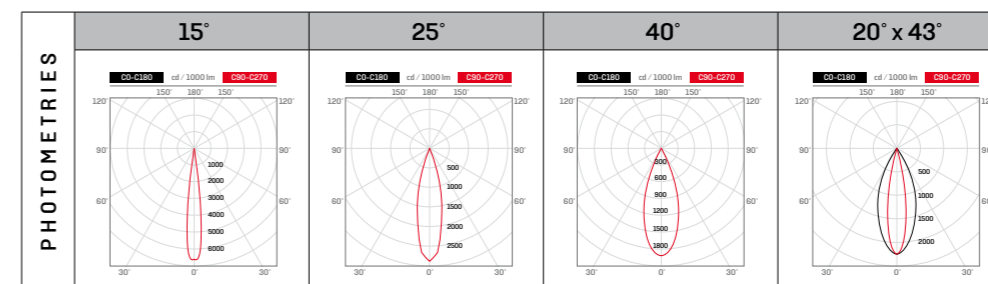
power	1W – single chip Power Led
power supply	24V constant voltage
insulation class	III class
IP rating	IP66 / IP68
IK rating	IK 09
operating temperature	-20°C / +50°C
size	Ø 29 x 44 mm
light source flux	172 lm (3000K)
effective flux	up to 53 lm (3000K)
beam angles	circular 15° - 25° - 40°; elliptical 20° x 43°
CCT	2700K - 3000K - 4000K
CRI	> 90
BIN selection	2 Step MacAdam
lifetime	L80 B10 50.000 h

Inground **walk-over** luminaire, suitable for **outdoor** use (IP66/IP68), with operating temperature range: **-20°C / +50°C**. To offer the maximum application versatility the body can be made of **aluminium** or **steel**; the upper round frame in aluminium, steel or brass. The light source consists of a single chip **1W** power LED supplied at 24V constant voltage. The luminous flux up to **53 lm** (3000K) makes it **ideal** for marking out **walkways** or for obtaining a starry effect on the ceiling, thanks to different beam angles: circular 15°, 25° and 40° and an **elliptical** 20°x 43°. The source is recessed for greater visual comfort. Different **colour temperatures** are available: 2700K, 3000K, 4000K with CRI > 90. Oceano 1.0 is equipped with the **IdroSkud®** system for the protection of electronic components against voltage spikes, polarity reversal and water infiltration. Installation accessories are provided (draining and waterproof outer case and plasterboard spring). The power cable length is 0.4m; on request: 1.5m, 5m, 10m, 15m.

body materials	- anticorodal 6082 anodized 20µ aluminium - 316L stainless steel
frame materials	- anticorodal 6082 anodized 20µ aluminium - 316L stainless steel - brass
screen	tempered extra-clear glass – 4 mm
installation	with outer case / plasterboard spring
power cable	FR5FOEM7 -AD8 2X0.5 mm ²
electrical connection	parallel
weight	45 g (aluminium) 97 g (steel)
protection system	IdroSkud® System _ polarity reversal protection _ voltage spikes protection _ water infiltration protection
made in	ITALY



ACCESSORIES	draining outer case	slim draining outer case	waterproof outer case	plasterboard spring
	CEAZZ000	CEAZZ001	CEAZZ002	CEAZZ014
	Ø 24,3 x Ø 74,2 x 75	Ø 25 x 66	Ø 25 x 87	
power supply for recommended models see page 40 of the catalogue				



OCEANO 1.0

PRODUCT CODE CONFIGURATION



family	
CEA	MIZAR OCEANO
model	
00	OCEANO 1.0
CCT	
C	2700 K
D	3000 K
F	4000 K
CRI	
C	> 90
beam angles	
S	15°
M	25°
L	40°
E	20°x43° ell.
optionals	
O	no one
frame finishing	
00	aluminium body aluminium frame
01	steel body steel frame
02	aluminium body brass frame
03	steel body brass frame
cable length	
A	0,4 m
C	1,5 m
H	5 m
M	10 m
P	15 m
variant	
00	standard

For correct code composition see instructions on page 151 of the catalogue or go to www.mizar.it



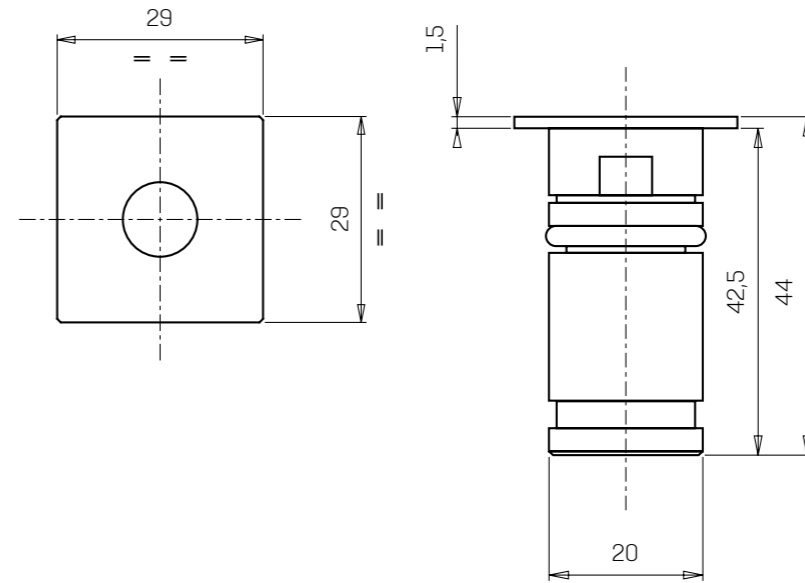
OCEANO 1.1

Inground **walk-over** luminaire, suitable for **outdoor** use (IP66/IP68), with operating temperature range: **-20°C / +50°C**.
To offer the maximum application versatility the body can be made of **aluminium** or **steel**; the upper square frame in aluminium, steel or brass.
The light source consists of a single chip **1W** power LED supplied at 24V constant voltage.
The luminous flux up to **53 lm** (3000K) makes it **ideal** for marking out **walkways** or for obtaining a starry effect on the ceiling, thanks to different beam angles: circular 15°, 25° and 40° and an **elliptical** 20°x43°.
The source is recessed for greater visual comfort.
Different **colour temperatures** are available: 2700K, 3000K, 4000K with CRI > 90.
Oceano 1.1 is equipped with the **IdroSkud®** system for the protection of electronic components against voltage spikes, polarity reversal and water infiltration.
Installation accessories are provided (draining and waterproof outer case and plasterboard spring).
The power cable length is 0.4m;
on request: 1.5m, 5m, 10m, 15m.



power	1W - single chip Power Led
power supply	24V constant voltage
insulation class	III class
IP rating	IP66 / IP68
IK rating	IK 09
operating temperature	-20°C / +50°C
size	29 x 29 x 44 mm
light source flux	172 lm (3000K)
effective flux	up to 53 lm (3000K)
beam angles	circular 15° - 25° - 40°; elliptical 20° x 43°
CCT	2700K - 3000K - 4000K
CRI	> 90
BIN selection	2 Step MacAdam
lifetime	L80 B10 50.000 h

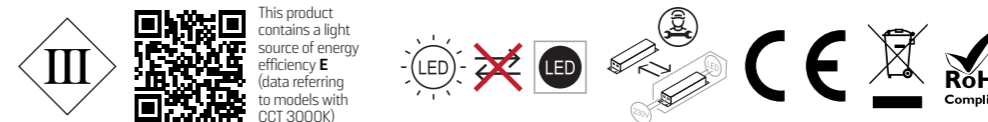
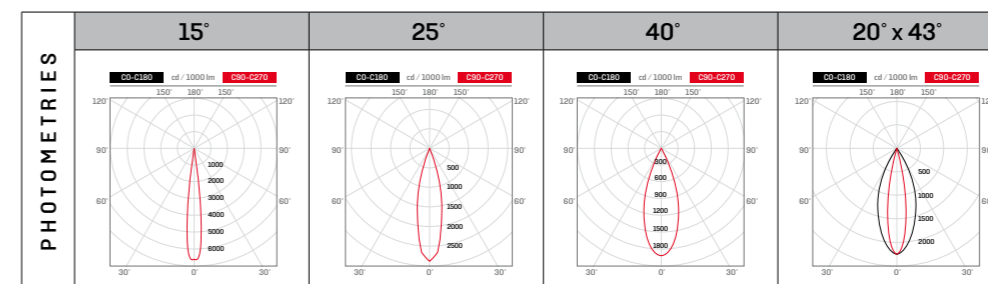
body materials	- anticorodal 6082 anodized 20µ aluminium - 316L stainless steel
frame materials	- anticorodal 6082 anodized 20µ aluminium - 316L stainless steel - brass
screen	tempered extra-clear glass - 4 mm
installation	with outer case / plasterboard spring
power cable	FR5FOEM7 -AD8 2X0.5 mm ²
electrical connection	parallel
weight	46 g (aluminium) 99 g (steel)
protection system	IdroSkud® System - polarity reversal protection - voltage spikes protection - water infiltration protection
made in	ITALY



ACCESSORIES

draining outer case	slim draining outer case	waterproof outer case	plasterboard spring
CEAZZ000	CEAZZ001	CEAZZ002	CEAZZ014
Ø 24,3 x Ø 74,2 x 75	Ø 25 x 66	Ø 25 x 87	

power supply
for recommended models see page 40 of the catalogue



OCEANO 1.1

PRODUCT CODE CONFIGURATION



family

CEA	MIZAR OCEANO
-----	--------------

model

01	OCEANO 1.1
----	------------

CCT

C	2700 K	▼
D	3000 K	▼
F	4000 K	▼

CRI

C	> 90
---	------

beam angles

S	15°	▼
M	25°	▼
L	40°	▼
E	20°x43° ell.	▼

optionals

O	no one
---	--------

frame finishing

00	aluminium body aluminium frame
01	steel body steel frame
02	aluminium body brass frame
03	steel body brass frame

cable length

A	0,4 m
C	1,5 m
H	5 m
M	10 m
P	15 m

variant

00	standard
----	----------

For correct code composition see instructions on page 151 of the catalogue or go to www.mizar.it



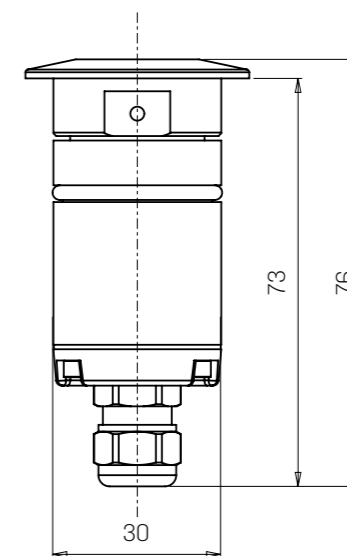
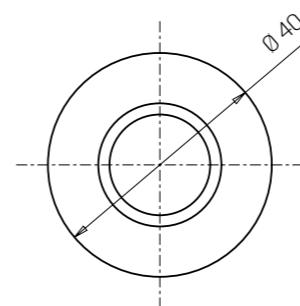
OCEANO 2.0



power	2W - single chip Power Led
power supply	24V constant voltage
insulation class	III class
IP rating	IP66 / IP68
IK rating	IK 07
operating temperature	-20°C / +50°C
size	Ø 40 x 76 mm
light source flux	195 lm (3000K)
effective flux	up to 120 lm (3000K)
beam angles	circular 10° - 36° - 60°; elliptical 10° x 53°
CCT	2700K - 3000K - 4000K
CRI	> 90
BIN selection	2 Step MacAdam
lifetime	L80 B10 50.000 h

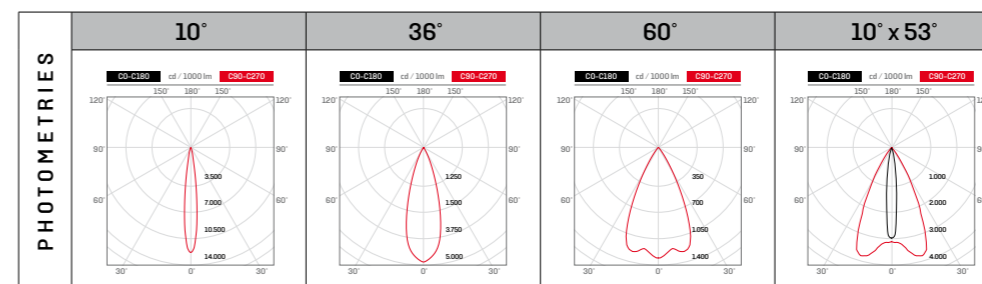
Inground **walk-over** luminaire, suitable for **outdoor** use (IP66/IP68), with operating temperature range: **-20°C / +50°C**. To offer the maximum application versatility the body can be made of **aluminium** or **steel**; the upper round frame in aluminium, steel or brass. The light source consists of a single chip **2W** power LED supplied at 24V constant voltage. The luminous flux up to **120 lm** (3000K) makes it **ideal** for marking out **walkways** or for obtaining a starry effect on the ceiling, thanks to different beam angles: circular 10°, 36° and 60° and an **elliptical** 10°x53°. The source is recessed for greater visual comfort. The **colour temperature** is available variants: 2700K, 3000K, 4000K with CRI > 90. Oceano 2.0 is equipped with the **IdroSkud®** system for the protection of electronic components against voltage spikes, polarity reversal and water infiltration. There are optionals for anti-glare (honeycomb) and installation accessories are provided (draining and waterproof outer case and plasterboard spring). The power cable length is 0.4m; on request: 1.5m, 5m, 10m, 15m.

body materials	- anticorodal 6082 anodized 20µ aluminium - 316L stainless steel
frame materials	- anticorodal 6082 anodized 20µ aluminium - 316L stainless steel - brass
screen	tempered extra-clear glass - 6 mm
installation	with outer case / plasterboard spring
power cable	H05RN - F 2X0.75 mm ²
electrical connection	parallel
weight	101 g (aluminium) 212 g (steel)
protection system	IdroSkud® System - polarity reversal protection - voltage spikes protection - water infiltration protection
made in	ITALY

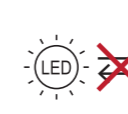


OPTIONALS	honeycomb	cable m 0.4, 1.5, 5, 10, 15

ACCESSORIES	draining outer case CEAZZ003	slim draining outer case CEAZZ004	waterproof outer case CEAZZ005	plasterboard spring CEAZZ015
	Ø 35 x Ø 85 x 102	Ø 35 x 100	Ø 36 x Ø 70 x 93	
power supply for recommended models see page 40 of the catalogue				



This product contains a light source of energy efficiency **F** (data referring to models with CCT 3000K)



OCEANO 2.0

PRODUCT CODE CONFIGURATION



family	MIZAR OCEANO	
CEA	MIZAR OCEANO	
model	OCEANO 2.0	
CCT		
C	2700 K	▼
D	3000 K	▼
F	4000 K	▼
CRI		
C	> 90	
beam angles		
S	10°	▼
M	36°	▼
L	60°	▼
E	10°x53° ell.	▼
optionals		
O	no one	
I	honeycomb	
frame finishing		
00	aluminium body aluminium frame	
01	steel body steel frame	
02	aluminium body brass frame	
03	steel body brass frame	
cable length		
A	0,4 m	
C	1,5 m	
H	5 m	
M	10 m	
P	15 m	
variant		
00	standard	

For correct code composition see instructions on page 151 of the catalogue or go to www.mizar.it



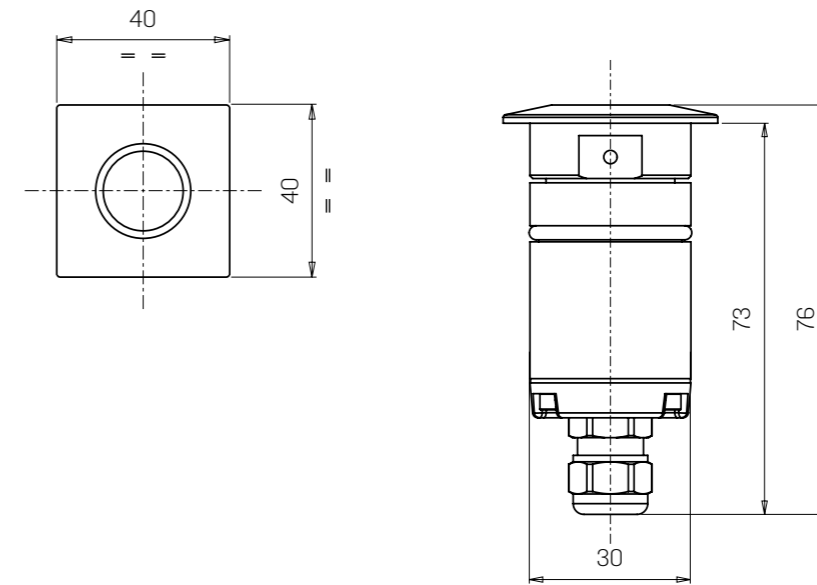
OCEANO 2.1



power	2W - single chip Power Led
power supply	24V constant voltage
insulation class	III class
IP rating	IP66 / IP68
IK rating	IK 07
operating temperature	-20°C / +50°C
size	40 x 40 x 76 mm
light source flux	195 lm (3000K)
effective flux	up to 120 lm (3000K)
beam angles	circular 10° - 36° - 60°; elliptical 10° x 53°
CCT	2700K - 3000K - 4000K
CRI	> 90
BIN selection	2 Step MacAdam
lifetime	L80 B10 50.000 h

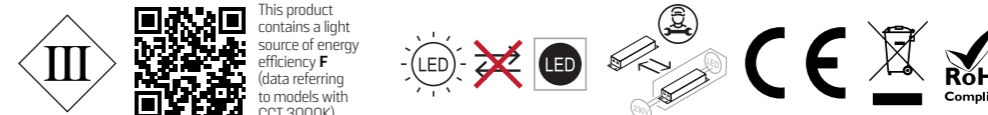
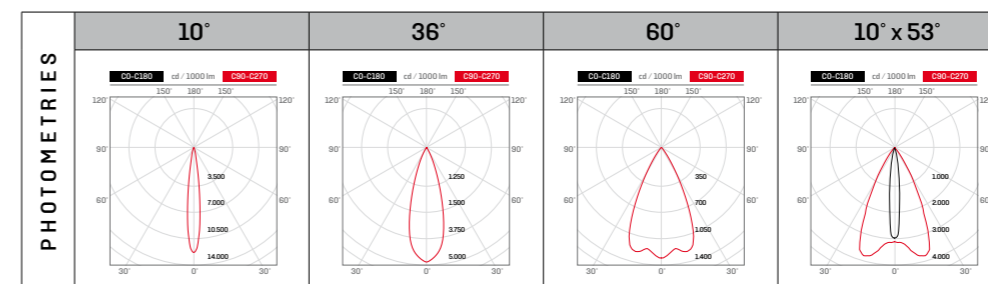
Inground **walk-over** luminaire, suitable for **outdoor** use (IP66/IP68), with operating temperature range: **-20°C / +50°C**. To offer the maximum application versatility the body can be made of **aluminium** or **steel**; the upper square frame in aluminium, steel or brass. The light source consists of a single chip **2W** power LED supplied at 24V constant voltage. The luminous flux up to **120 lm** (3000K) makes it **ideal** for marking out **walkways** or for obtaining a starry effect on the ceiling, thanks to different beam angles: circular 10°, 36° and 60° and an **elliptical** 10°x53°. The source is recessed for greater visual comfort. Different **colour temperatures** are available: 2700K, 3000K, 4000K with CRI > 90. Oceano 2.1 is equipped with the **IdroSkud®** system for the protection of electronic components against voltage spikes, polarity reversal and water infiltration. There are optionals for anti-glare (honeycomb) and installation accessories are provided (draining and waterproof outer case and plasterboard spring). The power cable length is 0.4m; on request: 1.5m, 5m, 10m, 15m.

body materials	- anticorodal 6082 anodized 20µ aluminium - 316L stainless steel
frame materials	- anticorodal 6082 anodized 20µ aluminium - 316L stainless steel - brass
screen	tempered extra-clear glass - 6 mm
installation	with outer case / plasterboard spring
power cable	H05RN - F 2X0.75 mm²
electrical connection	parallel
weight	102 g (aluminium) 222 g (steel)
protection system	IdroSkud® System _ polarity reversal protection _ voltage spikes protection _ water infiltration protection
made in	ITALY



OPTIONALS	honeycomb	cable m 0.4, 1.5, 5, 10, 15

ACCESSORIES	draining outer case CEAZZ003	slim draining outer case CEAZZ004	waterproof outer case CEAZZ005	plasterboard spring CEAZZ015
	Ø 35 x Ø 85 x 102	Ø 35 x 100	Ø 36 x Ø 70 x 93	
power supply for recommended models see page 40 of the catalogue				



OCEANO 2.1

PRODUCT CODE CONFIGURATION

family		
CEA	MIZAR OCEANO	
model		
03	OCEANO 2.1	
CCT		
C	2700 K	▼
D	3000 K	▼
F	4000 K	▼
CRI		
C	> 90	
beam angles		
S	10°	▼
M	36°	▼
L	60°	▼
E	10°x53° ell.	▼
optionals		
O	no one	
I	honeycomb	
frame finishing		
00	aluminium body aluminium frame	
01	steel body steel frame	
02	aluminium body brass frame	
03	steel body brass frame	
cable length		
A	0,4 m	
C	1,5 m	
H	5 m	
M	10 m	
P	15 m	
variant		
00	standard	

For correct code composition see instructions on page 151 of the catalogue or go to www.mizar.it



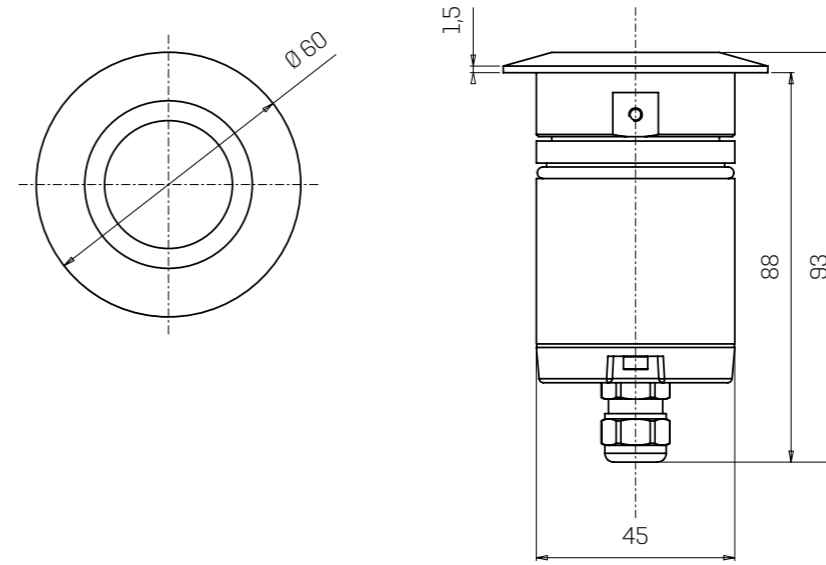
OCEANO 3.0



Inground **walk-over** luminaire, suitable for outdoor use and **underwater** up to 10m (IP66/IP68), with operating temperature range: **-20°C / +50°C**. To offer the maximum application versatility the body can be made of **aluminium** or **steel**; the upper round frame in aluminium, steel or brass. The light source consists of a single chip **3W** power LED supplied at 24V constant voltage. The luminous flux up to **153 lm** (3000K) makes it **ideal** for marking out **walkways** or for illuminate architectural details, thanks to different beam angles: circular 10°, 25° and 40° and an **elliptical** 10°x 45°. The source is recessed for greater visual comfort. Different **colour temperatures** are available: 2700K, 3000K, 4000K with CRI > 90. Oceano 3.0 is equipped with the **IdroSkud®** system for the protection of electronic components against voltage spikes, polarity reversal and water infiltration. There are optionals for anti-glare (honeycomb and louvre) and installation accessories are provided (draining and waterproof outer case). The power cable length is 0.4m; on request: 1.5m, 5m, 10m, 15m.

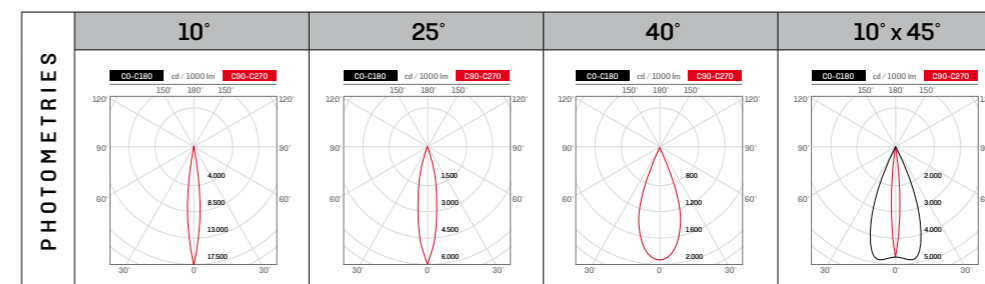
power	2W - single chip Power Led
power supply	24V constant voltage
insulation class	III class
IP rating	IP66 / IP68 10 m
IK rating	IK 10
operating temperature	-20°C / +50°C
size	Ø 60 x 93 mm
light source flux	227 lm (3000K)
effective flux	up to 153 lm (3000K)
beam angles	circular 10° - 25° - 40°; elliptical 10° x 45°
CCT	2700K - 3000K - 4000K
CRI	> 90
BIN selection	2 Step MacAdam
lifetime	L80 B10 50.000 h

body materials	- anticorodal 6082 anodized 20µ aluminium - 316L stainless steel - brass
frame materials	- anticorodal 6082 anodized 20µ aluminium - 316L stainless steel
screen	tempered extra-clear glass - 8 mm
installation	with outer case
power cable	H05RN - F 2X0.75 mm ²
electrical connection	parallel
weight	270 g (aluminium) 622 g (steel)
protection system	IdroSkud® System - polarity reversal protection - voltage spikes protection - water infiltration protection
made in	ITALY



OPTIONALS	honeycomb	louvre	cable m 0.4, 1.5, 5, 10, 15

ACCESSORIES	draining outer case CEAZZ006	slim draining outer case CEAZZ007	waterproof outer case CEAZZ008
	Ø 49.5 x Ø 111 x 112	Ø 54 x Ø 95 x 115	Ø 54 x Ø 95 x 139
power supply for recommended models see page 40 of the catalogue			

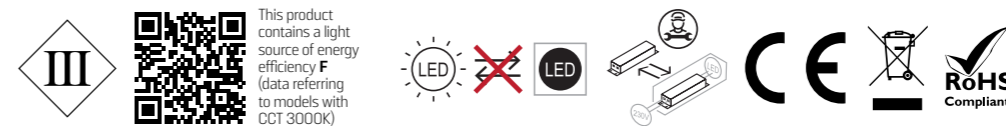


PRODUCT CODE CONFIGURATION



family	MIZAR OCEANO	
CEA	MIZAR OCEANO	
model	OCEANO 3.0	
04	OCEANO 3.0	
CCT		
C	2700 K	▼
D	3000 K	▼
F	4000 K	▼
CRI		
C	> 90	
beam angles		
S	10°	▼
M	25°	▼
L	40°	▼
E	10°x45° ell.	▼
optionals		
0	no one	
1	honeycomb	
2	louvre	
frame finishing		
00	aluminium body aluminium frame	
01	steel body steel frame	
02	aluminium body brass frame	
03	steel body brass frame	
cable length		
A	0,4 m	
C	1,5 m	
H	5 m	
M	10 m	
P	15 m	
variant		
00	standard	

For correct code composition see instructions on page 151 of the catalogue or go to www.mizar.it



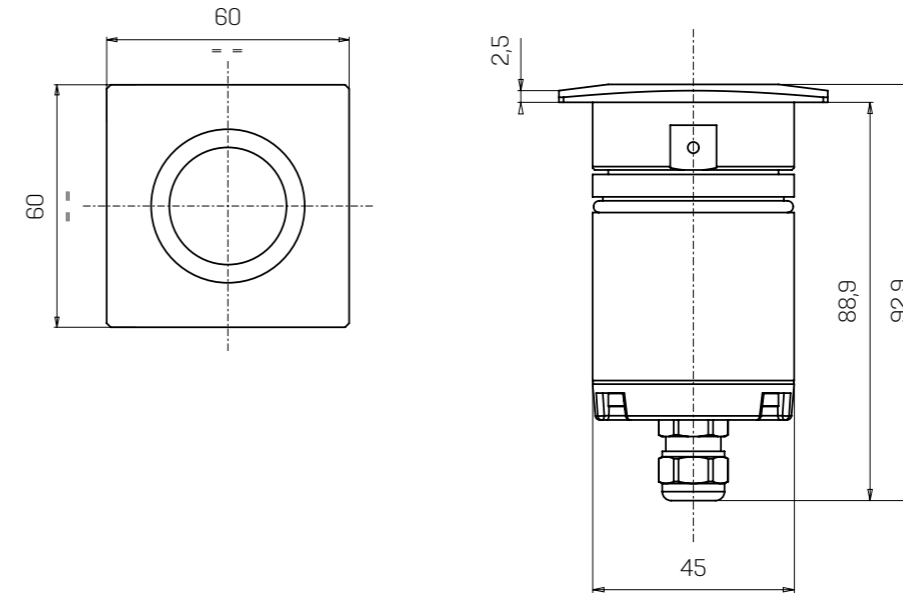
OCEANO 3.1



Inground **walk-over** luminaire, suitable for outdoor use and **underwater** up to 10m (IP66/IP68), with operating temperature range: **-20°C / +50°C**. To offer the maximum application versatility the body can be made of **aluminium** or **steel**; the upper square frame in aluminium, steel or brass. The light source consists of a single chip **3W** power LED supplied at 24V constant voltage. The luminous flux up to **153 lm** (3000K) makes it **ideal** for marking out **walkways** or for illuminate architectural details, thanks to different beam angles: circular 10°, 25° and 40° and an **elliptical** 10°x45°. The source is recessed for greater visual comfort. Different **colour temperatures** are available: 2700K, 3000K, 4000K with CRI > 90. Oceano 3.1 is equipped with the **IdroSkud®** system for the protection of electronic components against voltage spikes, polarity reversal and water infiltration. There are optionals for anti-glare (honeycomb and louvre) and installation accessories are provided (draining and waterproof outer case). The power cable length is 0.4m; on request: 1.5m, 5m, 10m, 15m.

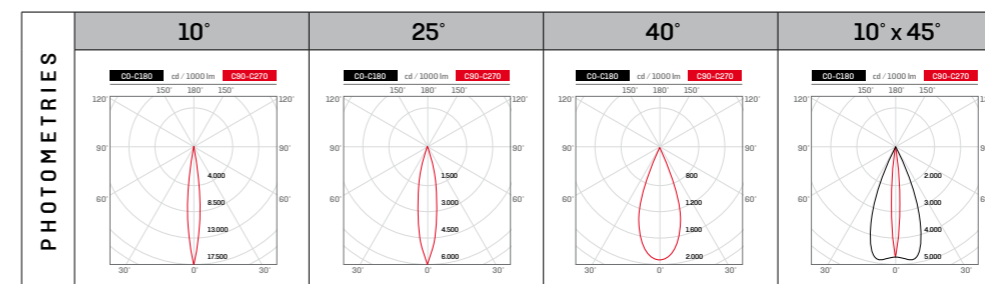
power	3W - single chip Power Led
power supply	24V constant voltage
insulation class	III class
IP rating	IP66 / IP68 10 m
IK rating	IK 10
operating temperature	-20°C / +50°C
size	60 x 60 x 93 mm
light source flux	227 lm (3000K)
effective flux	up to 153 lm (3000K)
beam angles	circular 10° - 25° - 40°; elliptical 10° x 45°
CCT	2700K - 3000K - 4000K
CRI	> 90
BIN selection	2 Step MacAdam
lifetime	L80 B10 50.000 h

body materials	- anticorodal 6082 anodized 20µ aluminium - 316L stainless steel
frame materials	- anticorodal 6082 anodized 20µ aluminium - 316L stainless steel - brass
screen	tempered extra-clear glass - 8 mm
installation	with outer case
power cable	H05RN - F 2X0.75 mm ²
electrical connection	parallel
weight	293 g (aluminium) 633 g (steel)
protection system	IdroSkud® System - polarity reversal protection - voltage spikes protection - water infiltration protection
made in	ITALY



OPTIONALS	honeycomb	louvre	cabl m 0.4, 1.5, 5, 10, 15

ACCESSORIES	draining outer case CEAZZ006	slim draining outer case CEAZZ007	waterproof outer case CEAZZ008
	Ø 49.5 x Ø 111 x 112	Ø 54 x Ø 95 x 115	Ø 54 x Ø 95 x 139
power supply for recommended models see page 40 of the catalogue			



OCEANO 3.1

PRODUCT CODE CONFIGURATION

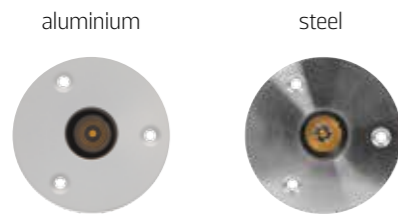


family	MIZAR OCEANO	
CEA	MIZAR OCEANO	
model	OCEANO 3.1	
CCT	2700 K	
C	2700 K	▼
D	3000 K	▼
F	4000 K	▼
CRI	> 90	
C	> 90	
beam angles	10°	
S	10°	▼
M	25°	▼
L	40°	▼
E	10°x45° ell.	▼
optionals	no one	
0	no one	
1	honeycomb	
2	louvre	
frame finishing	aluminium body aluminium frame	
00	aluminium body aluminium frame	
01	steel body steel frame	
02	aluminium body brass frame	
03	steel body brass frame	
cable length	0,4 m	
A	0,4 m	
C	1,5 m	
H	5 m	
M	10 m	
P	15 m	
variant	standard	
00	standard	

For correct code composition see instructions on page 151 of the catalogue or go to www.mizar.it



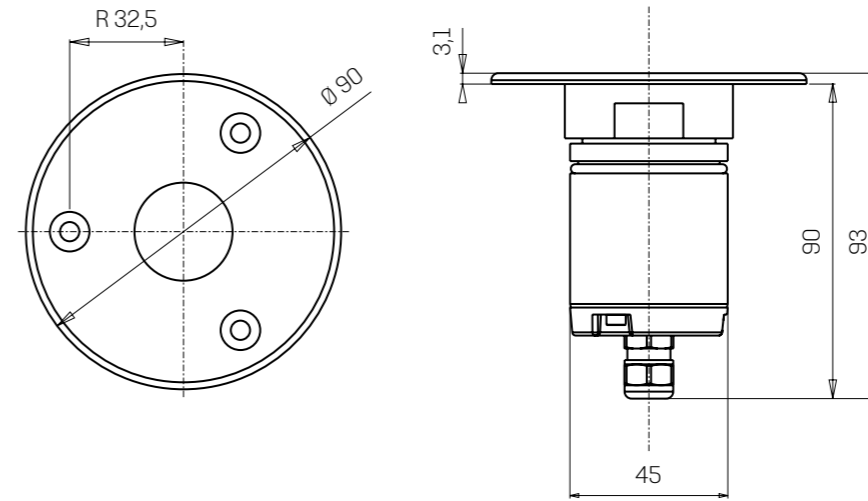
OCEANO 3.2



Inground **drive-over** luminaire, suitable for **outdoor** use and **underwater** up to 10m (IP66/IP68), with operating temperature range: **-20°C / +50°C**. To offer the maximum application versatility the body can be made of **aluminium** or **steel**; the upper round frame in aluminium, steel or brass. The light source consists of a single chip **3W** power LED supplied at 24V constant voltage. The luminous flux up to **153 lm** (3000K) makes it **ideal** for marking out **walkways** and driveways or for illuminate architectural details, thanks to different beam angles: circular 10°, 25° and 40° and an **elliptical** 10°x 45°. The source is recessed for greater visual comfort. Different **colour temperatures** are available: 2700K, 3000K, 4000K with CRI > 90. Oceano 3.2 is equipped with the **IdroSkud®** system for the protection of electronic components against voltage spikes, polarity reversal and water infiltration. There are optionals for anti-glare (honeycomb and louvre) and installation accessories are provided (drive-over outer case). The power cable length is 0.4m; on request: 1.5m, 5m, 10m, 15m.

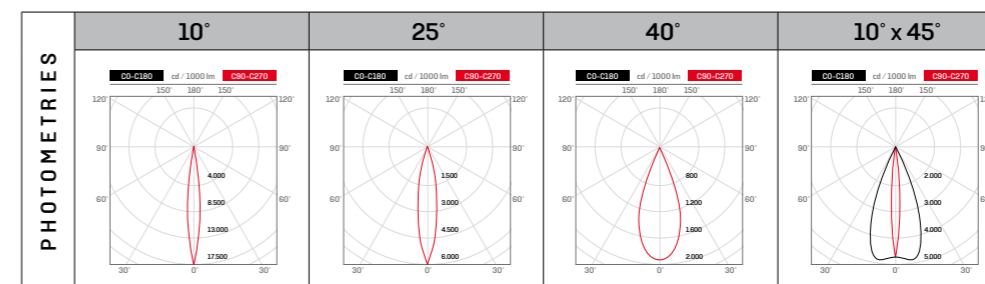
power	3W - single chip Power Led
power supply	24V constant voltage
insulation class	III class
IP rating	IP66 / IP68 10 m
IK rating	IK 10
operating temperature	-20°C / +50°C
size	Ø 90 x 93 mm
light source flux	227 lm (3000K)
effective flux	up to 153 lm (3000K)
beam angles	circular 10° - 25° - 40°; elliptical 10° x 45°
CCT	2700K - 3000K - 4000K
CRI	> 90
BIN selection	2 Step MacAdam
lifetime	L80 B10 50.000 h

body materials	- anticorodal 6082 anodized 20µ aluminium - 316L stainless steel
frame materials	- anticorodal 6082 anodized 20µ aluminium - 316L stainless steel
screen	tempered extra-clear glass - 8 mm
installation	with outer case
power cable	H05RN - F 2X0.75 mm²
electrical connection	parallel
weight	308 g (aluminium) 748 g (steel)
protection system	IdroSkud® System - polarity reversal protection - voltage spikes protection - water infiltration protection
made in	ITALY



OPTIONALS	honeycomb	louvre	cabl m 0.4, 1.5, 5, 10, 15

ACCESSORIES	drive-over outer case
	CEAZZ009
	Ø 80 x Ø 150 x 166.5
	power supply for recommended models see page 40 of the catalogue



PRODUCT CODE CONFIGURATION



family	MIZAR OCEANO	
CEA	MIZAR OCEANO	
model	OCEANO 3.2	
CCT	2700 K	
C	2700 K	▼
D	3000 K	▼
F	4000 K	▼
CRI	> 90	
C	> 90	
beam angles	10°	
S	10°	▼
M	25°	▼
L	40°	▼
E	10°x45° ell.	▼
optionals	no one	
O	no one	
1	honeycomb	
2	louvre	
frame finishing	aluminium body aluminium frame	
00	aluminium body aluminium frame	
01	steel body steel frame	
cable length	0,4 m	
A	0,4 m	
C	1,5 m	
H	5 m	
M	10 m	
P	15 m	
variant	standard	
00	standard	

For correct code composition see instructions on page 151 of the catalogue or go to www.mizar.it



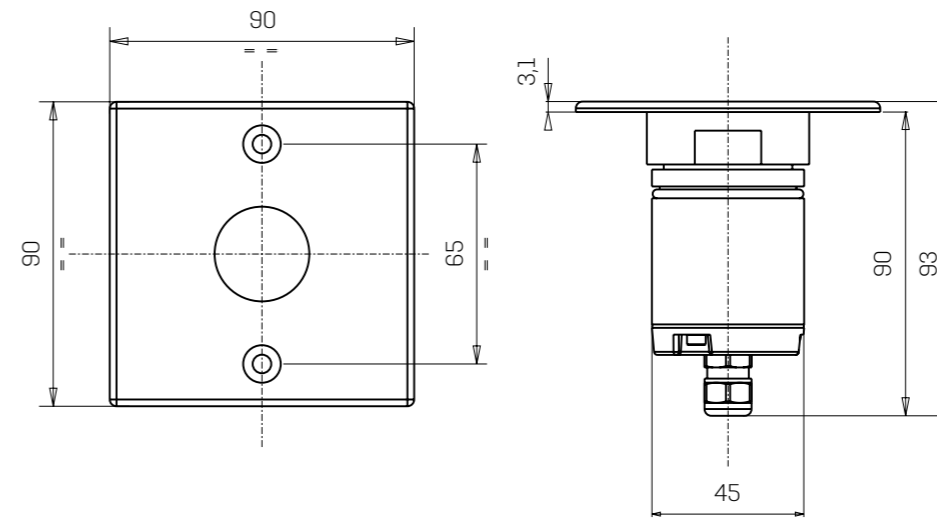
OCEANO 3.3



Inground **drive-over** luminaire, suitable for **outdoor** use and **underwater** up to 10m (IP66/IP68), with operating temperature range: **-20°C / +50°C**. To offer the maximum application versatility the body can be made of **aluminium** or **steel**; the upper square frame in aluminium, steel or brass. The light source consists of a single chip **3W** power LED supplied at 24V constant voltage. The luminous flux up to **153 lm** (3000K) makes it **ideal** for marking out **walkways** and driveways or for illuminate architectural details, thanks to different beam angles: circular 10°, 25° and 40° and an **elliptical** 10°x 45°. The source is recessed for greater visual comfort. Different **colour temperatures** are available: 2700K, 3000K, 4000K with CRI > 90. Oceano 3.3 is equipped with the **IdroSkud®** system for the protection of electronic components against voltage spikes, polarity reversal and water infiltration. There are optionals for anti-glare (honeycomb and louvre) and installation accessories are provided (drive-over outer case). The power cable length is 0.4m; on request: 1.5m, 5m, 10m, 15m.

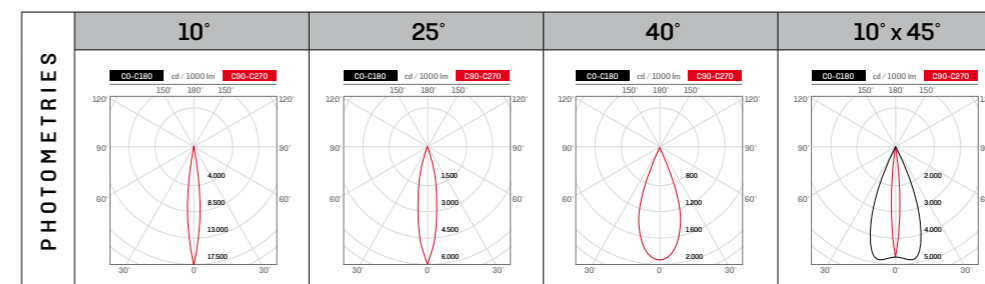
power	3W - single chip Power Led
power supply	24V constant voltage
insulation class	III class
IP rating	IP66 / IP68 10 m
IK rating	IK 10
operating temperature	-20°C / +50°C
size	90 x 90 x 93 mm
light source flux	227 lm (3000K)
effective flux	up to 153 lm (3000K)
beam angles	circular 10° - 25° - 40°; elliptical 10° x 45°
CCT	2700K - 3000K - 4000K
CRI	> 90
BIN selection	2 Step MacAdam
lifetime	L80 B10 50.000 h

body materials	- anticorodal 6082 anodized 20µ aluminium - 316L stainless steel
frame materials	- anticorodal 6082 anodized 20µ aluminium - 316L stainless steel
screen	tempered extra-clear glass - 8 mm
installation	with outer case
power cable	H05RN - F 2X0.75 mm²
electrical connection	parallel
weight	311 g (aluminium) 757 g (steel)
protection system	IdroSkud® System - polarity reversal protection - voltage spikes protection - water infiltration protection
made in	ITALY



OPTIONALS	honeycomb	louvre	cable m 0.4, 1.5, 5, 10, 15

ACCESSORIES	drive-over outer case CEAZZ009	
	Ø 80 x Ø 150 x 166.5	
	power supply for recommended models see page 40 of the catalogue	



PRODUCT CODE CONFIGURATION



family	MIZAR OCEANO
CEA	MIZAR OCEANO
model	OCEANO 3.3
07	OCEANO 3.3
CCT	
C	2700 K
D	3000 K
F	4000 K
CRI	
C	> 90
beam angles	
S	10°
M	25°
L	40°
E	10°x45° ell.
optionals	
0	no one
1	honeycomb
2	louvre
frame finishing	
00	aluminium body aluminium frame
01	steel body steel frame
cable length	
A	0,4 m
C	1,5 m
H	5 m
M	10 m
P	15 m
variant	
00	standard

For correct code composition see instructions on page 151 of the catalogue or go to www.mizar.it



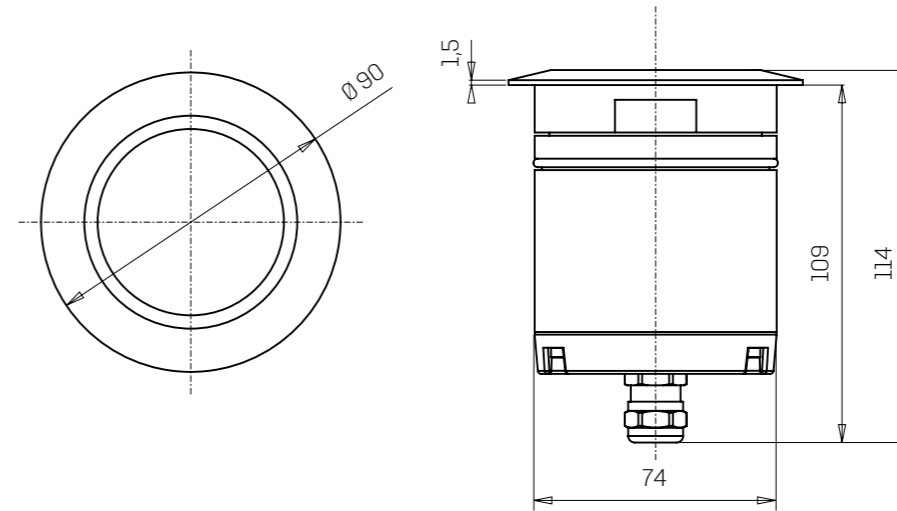


OCEANO 4.0

Inground **walk-over** luminaire, suitable for outdoor use and **underwater** up to 10m (IP66/IP68), with operating temperature range: **-20°C / +50°C**. To offer the maximum application versatility the body can be made of **aluminium** or **steel**; the upper round frame in aluminium, steel or brass. The light source consists of a single chip **7W** power LED supplied at 24V constant voltage. The luminous flux up to **305 lm** (3000K) makes it **ideal** for marking out **walkways** or for illuminate architectural details, thanks to different beam angles: circular 5°, 20° and 60° and an **elliptical** 15°x60°. The source is recessed for greater visual comfort. Different **colour temperatures** are available: 2700K, 3000K, 4000K with CRI > 90. Oceano 4.0 is equipped with the **IdroSkud®** system for the protection of electronic components against voltage spikes, polarity reversal and water infiltration. There are optionals for anti-glare (honeycomb and louvre) and installation accessories are provided (draining and waterproof outer case). The power cable length is 0.4m; on request: 1.5m, 5m, 10m, 15m.

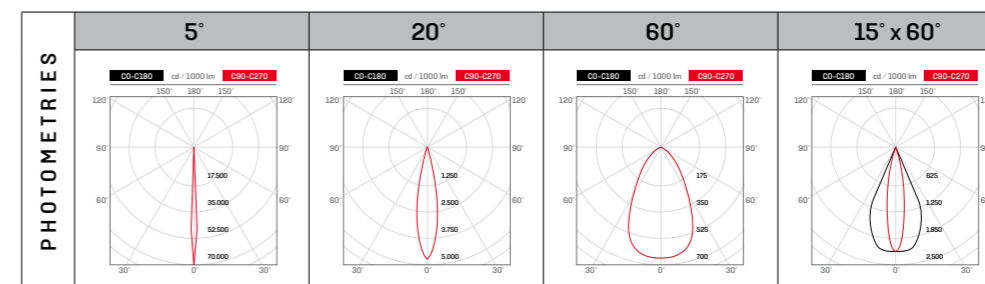
power	7W - single chip Power Led
power supply	24V constant voltage
insulation class	III class
IP rating	IP66 / IP68 10 m
IK rating	IK 09
operating temperature	-20°C / +50°C
size	Ø 90 x 114 mm
light source flux	410 lm (3000K)
effective flux	up to 305 lm (3000K)
beam angles	circular 5° - 20° - 60°; elliptical 15° x 60°
CCT	2700K - 3000K - 4000K
CRI	> 90
BIN selection	2 Step MacAdam
lifetime	L80 B10 50.000 h

body materials	- anticorodal 6082 anodized 20µ aluminium - 316L stainless steel
frame materials	- anticorodal 6082 anodized 20µ aluminium - 316L stainless steel - brass
screen	tempered extra-clear glass - 8 mm
installation	with outer case
power cable	H05RN - F 2X0.75 mm²
electrical connection	parallel
weight	640 g (aluminium) 1510 g (steel)
protection system	IdroSkud® System - polarity reversal protection - voltage spikes protection - water infiltration protection
made in	ITALY



OPTIONALS	honeycomb	louvre	cable m 0.4, 1.5, 5, 10, 15

ACCESSORIES	draining outer case CEAZZ010	slim draining outer case CEAZZ011	waterproof outer case CEAZZ012
	Ø 79 x Ø 141 x 139	Ø 85 x Ø 110 x 145	Ø 85 x Ø 1110 x 169
power supply for recommended models see page 40 of the catalogue			

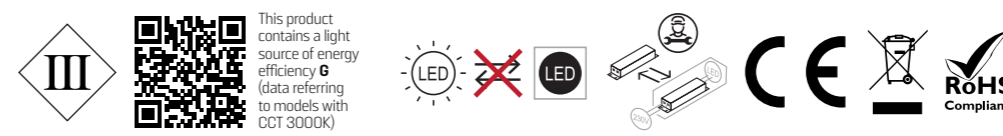


PRODUCT CODE CONFIGURATION



family	MIZAR OCEANO
CEA	MIZAR OCEANO
model	OCEANO 4.0
08	OCEANO 4.0
CCT	2700 K
C	2700 K
D	3000 K
F	4000 K
CRI	> 90
C	> 90
beam angles	5°
S	5°
M	20°
L	60°
E	15°x60° ell.
optionals	no one
0	no one
1	honeycomb
2	louvre
frame finishing	aluminium body aluminium frame
00	aluminium body aluminium frame
01	steel body steel frame
02	aluminium body brass frame
03	steel body brass frame
cable length	0,4 m
A	0,4 m
C	1,5 m
H	5 m
M	10 m
P	15 m
variant	standard
00	standard

For correct code composition see instructions on page 151 of the catalogue or go to www.mizar.it



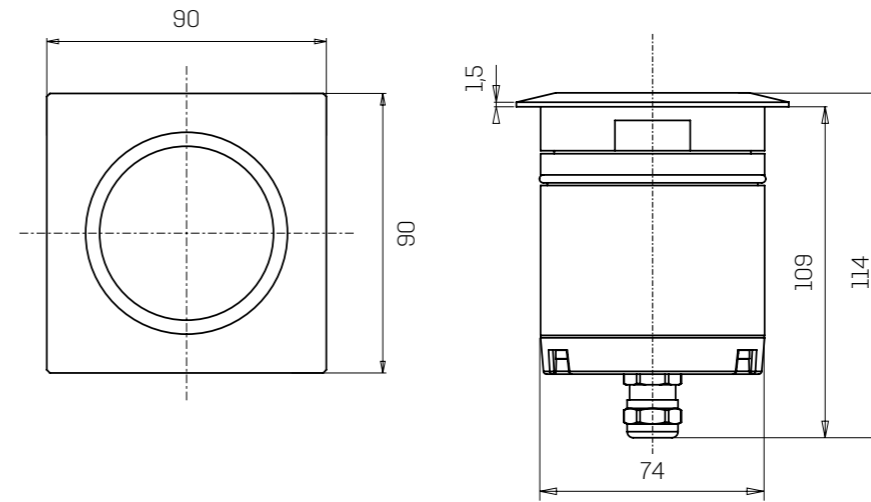
OCEANO 4.1



power	7W - single chip Power Led
power supply	24V constant voltage
insulation class	III class
IP rating	IP66 / IP68 10 m
IK rating	IK 09
operating temperature	-20°C / +50°C
size	90 x 90 x 114 mm
light source flux	410 lm (3000K)
effective flux	up to 305 lm (3000K)
beam angles	circular 5° - 20° - 60°; elliptical 15° x 60°
CCT	2700K - 3000K - 4000K
CRI	> 90
BIN selection	2 Step MacAdam
lifetime	L80 B10 50.000 h

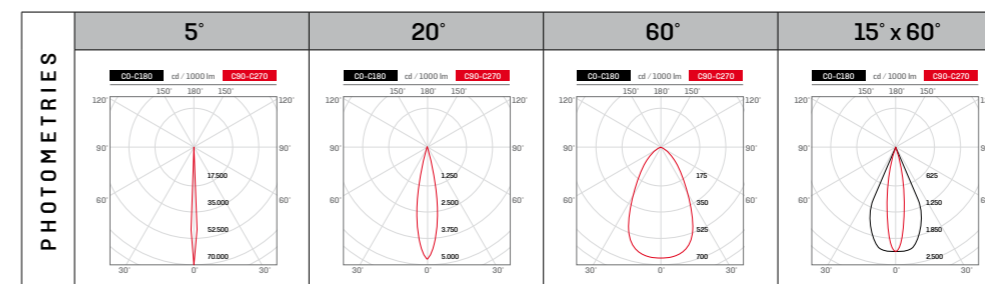
Inground **walk-over** luminaire, suitable for **outdoor** use and **underwater** up to 10m (IP66/IP68), with operating temperature range: **-20°C / +50°C**. To offer the maximum application versatility the body can be made of **aluminium** or **steel**; the upper square frame in aluminium, steel or brass. The light source consists of a single chip **7W** power LED supplied at 24V constant voltage. The luminous flux up to **305 lm** (3000K) makes it **ideal** for marking out **walkways** or for illuminate architectural details, thanks to different beam angles: circular 5°, 20° and 60° and an **elliptical** 15°x 60°. The source is recessed for greater visual comfort. Different **colour temperatures** are available: 2700K, 3000K, 4000K with CRI > 90. Oceano 4.1 is equipped with the **IdroSkud®** system for the protection of electronic components against voltage spikes, polarity reversal and water infiltration. There are optionals for anti-glare (honeycomb and louvre) and installation accessories are provided (draining and waterproof outer case). The power cable length is 0.4m; on request: 1.5m, 5m, 10m, 15m.

body materials	- anticorodal 6082 anodized 20µ aluminium - 316L stainless steel
frame materials	- anticorodal 6082 anodized 20µ aluminium - 316L stainless steel - brass
screen	tempered extra-clear glass - 8 mm
installation	with outer case
power cable	H05RN - F 2X0.75 mm²
electrical connection	parallel
weight	645 g (aluminium) 1522 g (steel)
protection system	IdroSkud® System - polarity reversal protection - voltage spikes protection - water infiltration protection
made in	ITALY



OPTIONALS	honeycomb	louvre	cabl m 0.4, 1.5, 5, 10, 15

ACCESSORIES	draining outer case	slim draining outer case	waterproof outer case
	CEAZZ010	CEAZZ011	CEAZZ012
	Ø 79 x Ø 141 x 139	Ø 85 x Ø 110 x 145	Ø 85 x Ø 1110 x 169
power supply for recommended models see page 40 of the catalogue			



OCEANO 4.1

PRODUCT CODE CONFIGURATION



family	MIZAR OCEANO	
CEA	MIZAR OCEANO	
model	OCEANO 4.1	
CCT	2700 K	
C	2700 K	▼
D	3000 K	▼
F	4000 K	▼
CRI	> 90	
C	> 90	
beam angles	5°	
S	5°	▼
M	20°	▼
L	60°	▼
E	15°x60° ell.	▼
optionals	no one	
0	no one	
1	honeycomb	
2	louvre	
frame finishing	aluminium body aluminium frame	
00	aluminium body aluminium frame	
01	steel body steel frame	
02	aluminium body brass frame	
03	steel body brass frame	
cable length	0,4 m	
A	0,4 m	
C	1,5 m	
H	5 m	
M	10 m	
P	15 m	
variant	standard	
00	standard	

For correct code composition see instructions on page 151 of the catalogue or go to www.mizar.it



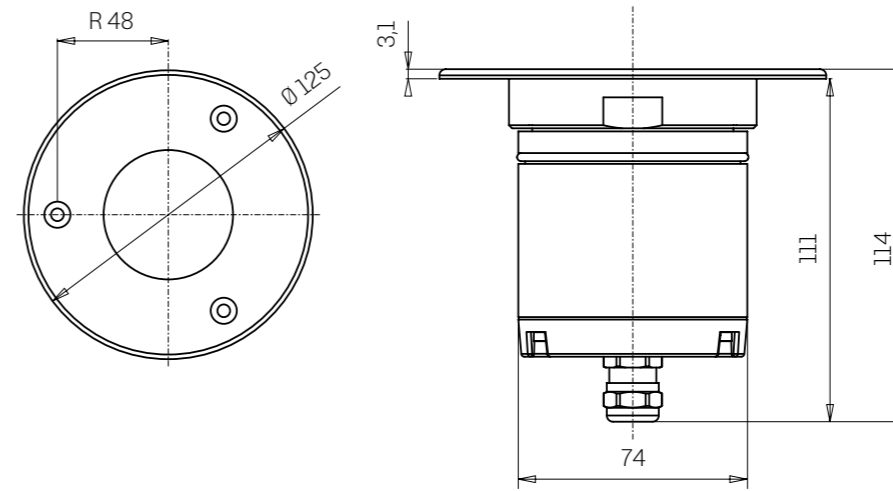


OCEANO 4.2

Inground **drive-over** luminaire, suitable for **outdoor** use and **underwater** up to 10m (IP66/IP68), with operating temperature range: **-20°C / +50°C**. To offer the maximum application versatility the body can be made of **aluminium** or **steel**; the upper round frame in aluminium, steel or brass. The light source consists of a single chip **7W** power LED supplied at 24V constant voltage. The luminous flux up to **305 lm** (3000K) makes it **ideal** for marking out **walkways** and driveways or for illuminate architectural details, thanks to different beam angles: circular 5°, 20° and 60° and an **elliptical** 15°x60°. The source is recessed for greater visual comfort. Different **colour temperatures** are available: 2700K, 3000K, 4000K with CRI > 90. Oceano 4.2 is equipped with the **IdroSkud®** system for the protection of electronic components against voltage spikes, polarity reversal and water infiltration. There are optionals for anti-glare (honeycomb and louvre) and installation accessories are provided (drive-over outer case). The power cable length is 0.4m; on request: 1.5m, 5m, 10m, 15m.

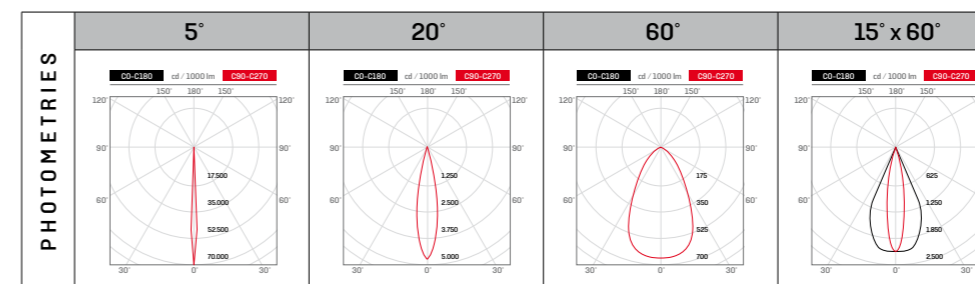
power	7W - single chip Power Led
power supply	24V constant voltage
insulation class	III class
IP rating	IP66 / IP68 10 m
IK rating	IK 09
operating temperature	-20°C / +50°C
size	Ø 125 x 114 mm
light source flux	410 lm (3000K)
effective flux	up to 305 lm (3000K)
beam angles	circular 5° - 20° - 60°; elliptical 15° x 60°
CCT	2700K - 3000K - 4000K
CRI	> 90
BIN selection	2 Step MacAdam
lifetime	L80 B10 50.000 h

body materials	- anticorodal 6082 anodized 20µ aluminium - 316L stainless steel
frame materials	- anticorodal 6082 anodized 20µ aluminium - 316L stainless steel
screen	tempered extra-clear glass - 8 mm
installation	with outer case
power cable	H05RN - F 2X0.75 mm ²
electrical connection	parallel
weight	720 g (aluminium) 1774 g (steel)
protection system	IdroSkud® System - polarity reversal protection - voltage spikes protection - water infiltration protection
made in	ITALY



OPTIONALS	honeycomb	louvre	cabl m 0.4, 1.5, 5, 10, 15

ACCESSORIES	drive-over outer case CEAZZ013
	Ø 113 x Ø 150 x 168.5
power supply for recommended models see page 40 of the catalogue	



PRODUCT CODE CONFIGURATION

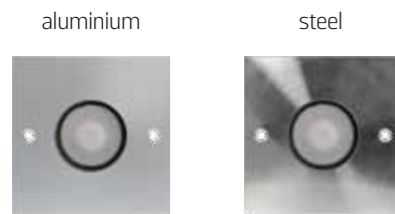


family	MIZAR OCEANO
CEA	MIZAR OCEANO
model	OCEANO 4.2
10	OCEANO 4.2
CCT	
C	2700 K
D	3000 K
F	4000 K
CRI	
C	> 90
beam angles	
S	5°
M	20°
L	60°
E	15°x60° ell.
optionals	
0	no one
1	honeycomb
2	louvre
frame finishing	
00	aluminium body aluminium frame
01	steel body steel frame
cable length	
A	0,4 m
C	1,5 m
H	5 m
M	10 m
P	15 m
variant	
00	standard

For correct code composition see instructions on page 151 of the catalogue or go to www.mizar.it



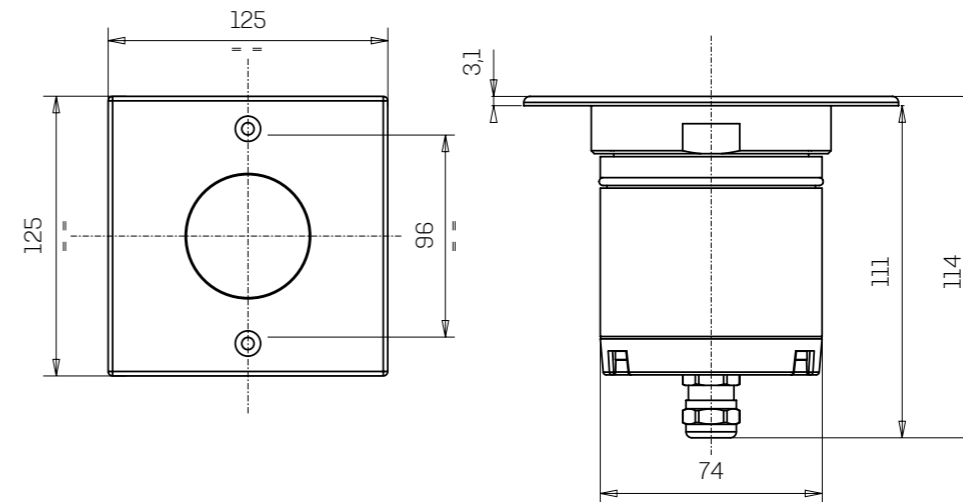
OCEANO 4.3



Inground **drive-over luminaire**, suitable for **outdoor** use and **underwater** up to 10m (IP66/IP68), with operating temperature range: **-20°C / +50°C**. To offer the maximum application versatility the body can be made of **aluminium** or **steel**; the upper square frame in aluminium, steel or brass. The light source consists of a single chip **7W** power LED supplied at 24V constant voltage. The luminous flux up to **305 lm** (3000K) makes it **ideal** for marking out **walkways** and driveways or for illuminate architectural details, thanks to different beam angles: circular 5°, 20° and 60° and an **elliptical** 15°x60°. The source is recessed for greater visual comfort. Different **colour temperatures** are available: 2700K, 3000K, 4000K with CRI > 90. Oceano 4.3 is equipped with the **IdroSkud®** system for the protection of electronic components against voltage spikes, polarity reversal and water infiltration. There are optionals for anti-glare (honeycomb and louvre) and installation accessories are provided (drive-over outer case). The power cable length is 0.4m; on request: 1.5m, 5m, 10m, 15m.

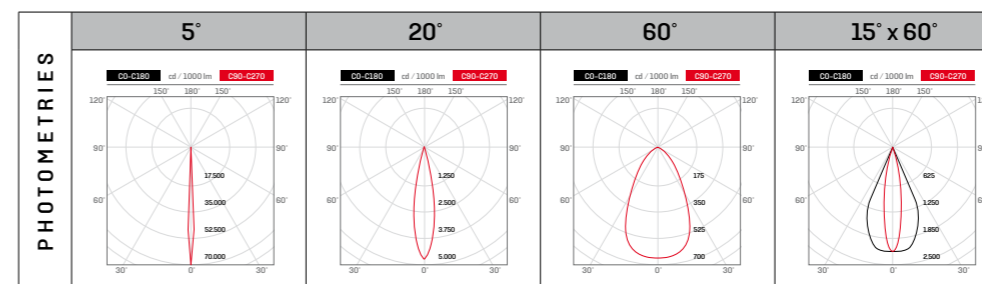
power	7W - single chip Power Led
power supply	24V constant voltage
insulation class	III class
IP rating	IP66 / IP68 10 m
IK rating	IK 09
operating temperature	-20°C / +50°C
size	125 x 125 x 114 mm
light source flux	410 lm (3000K)
effective flux	up to 305 lm (3000K)
beam angles	circular 5° - 20° - 60°; elliptical 15° x 60°
CCT	2700K - 3000K - 4000K
CRI	> 90
BIN selection	2 Step MacAdam
lifetime	L80 B10 50.000 h

body materials	- anticorodal 6082 anodized 20µ aluminium - 316L stainless steel
frame materials	- anticorodal 6082 anodized 20µ aluminium - 316L stainless steel
screen	tempered extra-clear glass - 8 mm
installation	with outer case
power cable	H05RN - F 2X0.75 mm²
electrical connection	parallel
weight	748 g (aluminium) 1831 g (steel)
protection system	IdroSkud® System - polarity reversal protection - voltage spikes protection - water infiltration protection
made in	ITALY



OPTIONALS	honeycomb	louvre	cabl m 0.4, 1.5, 5, 10, 15

ACCESSORIES	drive-over outer case
	CEAZZ013
Ø 113 x Ø 150 x 168.5	
power supply for recommended models see page 40 of the catalogue	



PRODUCT CODE CONFIGURATION



family	MIZAR OCEANO	
CEA	MIZAR OCEANO	
model	OCEANO 4.3	
11	OCEANO 4.3	
CCT		
C	2700 K	▼
D	3000 K	▼
F	4000 K	▼
CRI		
C	> 90	
beam angles		
S	5°	▼
M	20°	▼
L	60°	▼
E	15°x60° ell.	▼
optionals		
0	no one	
1	honeycomb	
2	louvre	
frame finishing		
00	aluminium body aluminium frame	
01	steel body steel frame	
cable length		
A	0,4 m	
C	1,5 m	
H	5 m	
M	10 m	
P	15 m	
variant		
00	standard	

For correct code composition see instructions on page 151 of the catalogue or go to www.mizar.it





OCEANO

9.1-9.2-9.3-9.4

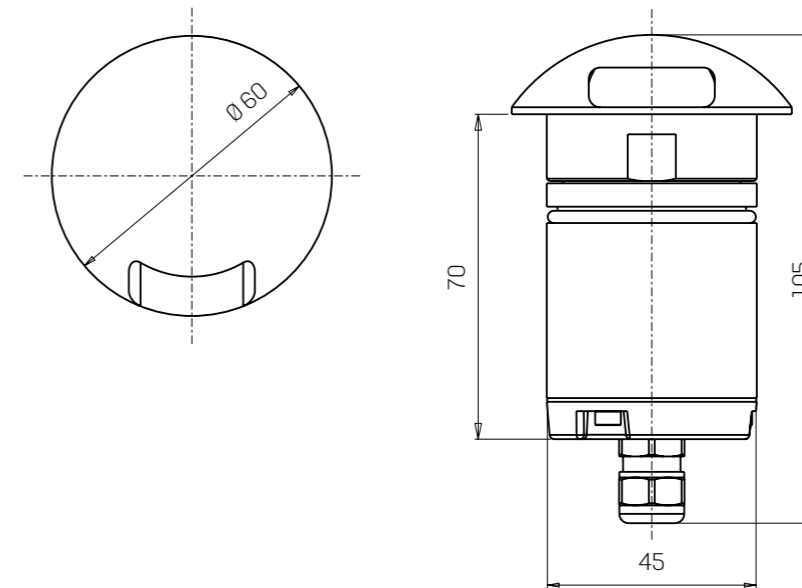
Recessed surface-mounted, **walk-over** luminaires, suitable for **outdoor** use and **underwater** up to 10 metres, (IP66/IP68) with an operating temperature range of **-20°C / +50°C**.

To offer the maximum application versatility, the body and frame are made of **stainless steel**. The light source consists of a single **3W** power LED chip powered at 24V constant voltage. The luminous flux from **27** to **107 lm** (3000K) makes them **ideal** for marking **pedestrian routes** thanks to the different beam angles.

Different **colour temperatures** are available: 2700K, 3000K, 4000K with CRI > 90. Oceano 9.1, 9.2, 9.3, 9.4 are equipped with the **IdroSkud®** system to protect electronic components from voltage spikes, polarity reversal and water infiltration. Installation accessories (draining and waterproof outer case) are provided. Electrical cable size is 0.4m; on request: 1.5m, 5m, 10m, 15m.

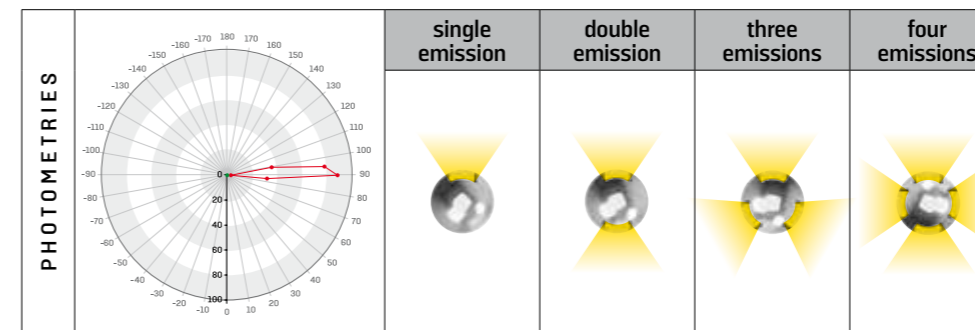
power	3W - single chip Power Led
power supply	24V constant voltage
insulation class	III class
IP rating	IP66 / IP68 10 m
IK rating	IK10
operating temperature	-20°C / +50°C
size	Ø 60 x 105 mm
light source flux	227 lm (3000K)
effective flux	up to 27 lm - single emission up to 54 lm - double emission up to 81 lm - three emissions up to 107 lm - four emissions
beam angles	grazing 1-2-3-4 emissions
CCT	2700K - 3000K - 4000K
CRI	> 90
BIN selection	2 Step MacAdam

lifetime	L80 B10 50.000 h
body materials	316L stainless steel
frame materials	316L stainless steel
screen	optical silicone
installation	with outer case
power cable	H05RN - F 2X0.75 mm ²
electrical connection	parallel
weight	673g - single emission 650g - double emission 625g - three emissions 607g - four emissions
protection system	IdroSkud® System - polarity reversal protection - voltage spikes protection - water infiltration protection
made in	ITALY



ACCESSORIES

draining outer case	slim draining outer case	waterproof outer case
CEAZZ006	CEAZZ007	CEAZZ008
Ø 49.5 x Ø 111 x 112	Ø 54 x Ø 95 x 115	Ø 54 x Ø 95 x 139
power supply for recommended models see page 40 of the catalogue		



family

CEA	MIZAR OCEANO
-----	--------------

model

16	OCEANO 9.1
17	OCEANO 9.2
18	OCEANO 9.3
19	OCEANO 9.4

CCT

C	2700 K	▼
D	3000 K	▼
F	4000 K	▼

CRI

C	> 90
---	------

beam angles

R	grazing
---	---------

optionals

O	no one
---	--------

frame finishing

O1	steel body steel frame
----	---------------------------

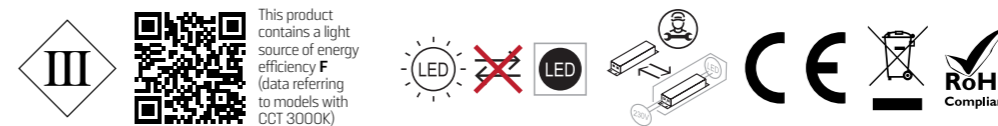
cable length

A	0,4 m
C	1,5 m
H	5 m
M	10 m
P	15 m

variant

00	standard
----	----------

For correct code composition see instructions on page 151 of the catalogue or go to www.mizar.it



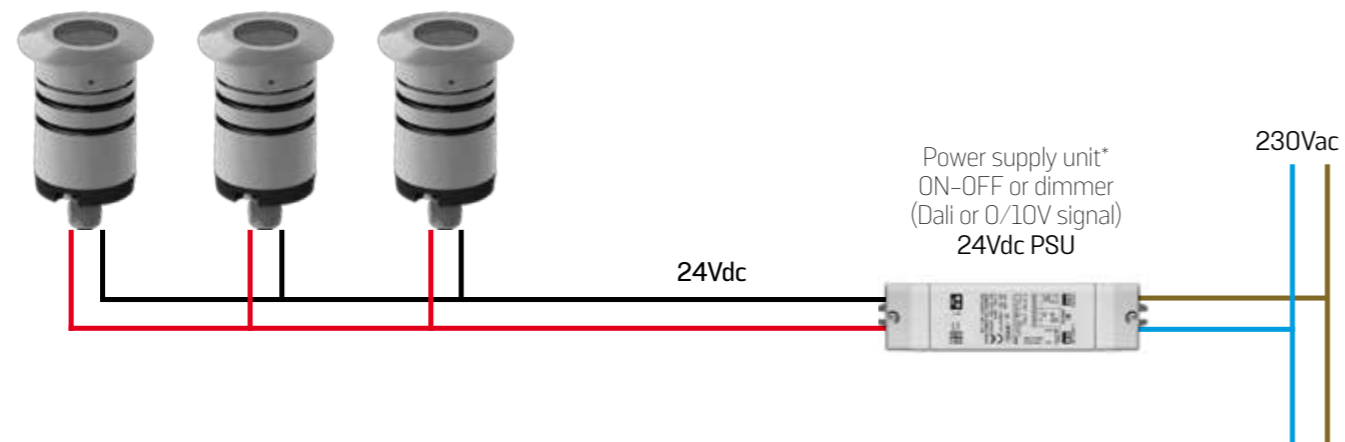


OCEANO




PARALLEL ELECTRICAL CONNECTION

ON-OFF OR DIMMER SYSTEM (DALI OR 0-10V SIGNAL)

All lights are signed for parallel connection with ON-OFF or dimmer power supply units



* The power supply unit must have sufficient power to supply the number of lights in the circuit plus a tolerance of 30% to handle the inrush current

SUGGESTED POWER SUPPLY	code	OUT tension	output max	W max	IP	supported spotlight model	number of spotlights	
	MID0019	24V	600mA dc	14,4 W	IP67	OCEANO 1.0 - 1.1	9	
						OCEANO 2.0 - 2.1	5	
						OCEANO 3.0 - 3.1 - 3.2 - 3.3 - 9	3	
						OCEANO 4.0 - 4.1 - 4.2 - 4.3	1	
	MID0020	24V	1500mA dc	24 W	IP67	OCEANO 1.0 - 1.1	23	
						OCEANO 2.0 - 2.1	11	
						OCEANO 3.0 - 3.1 - 3.2 - 3.3 - 9	10	
						OCEANO 4.0 - 4.1 - 4.2 - 4.3	3	
	MID0021	DALI 24V	1000mA dc	24 W	IP67	OCEANO 1.0 - 1.1	15	
						OCEANO 2.0 - 2.1	9	
						OCEANO 3.0 - 3.1 - 3.2 - 3.3 - 9	6	
						OCEANO 4.0 - 4.1 - 4.2 - 4.3	2	

