



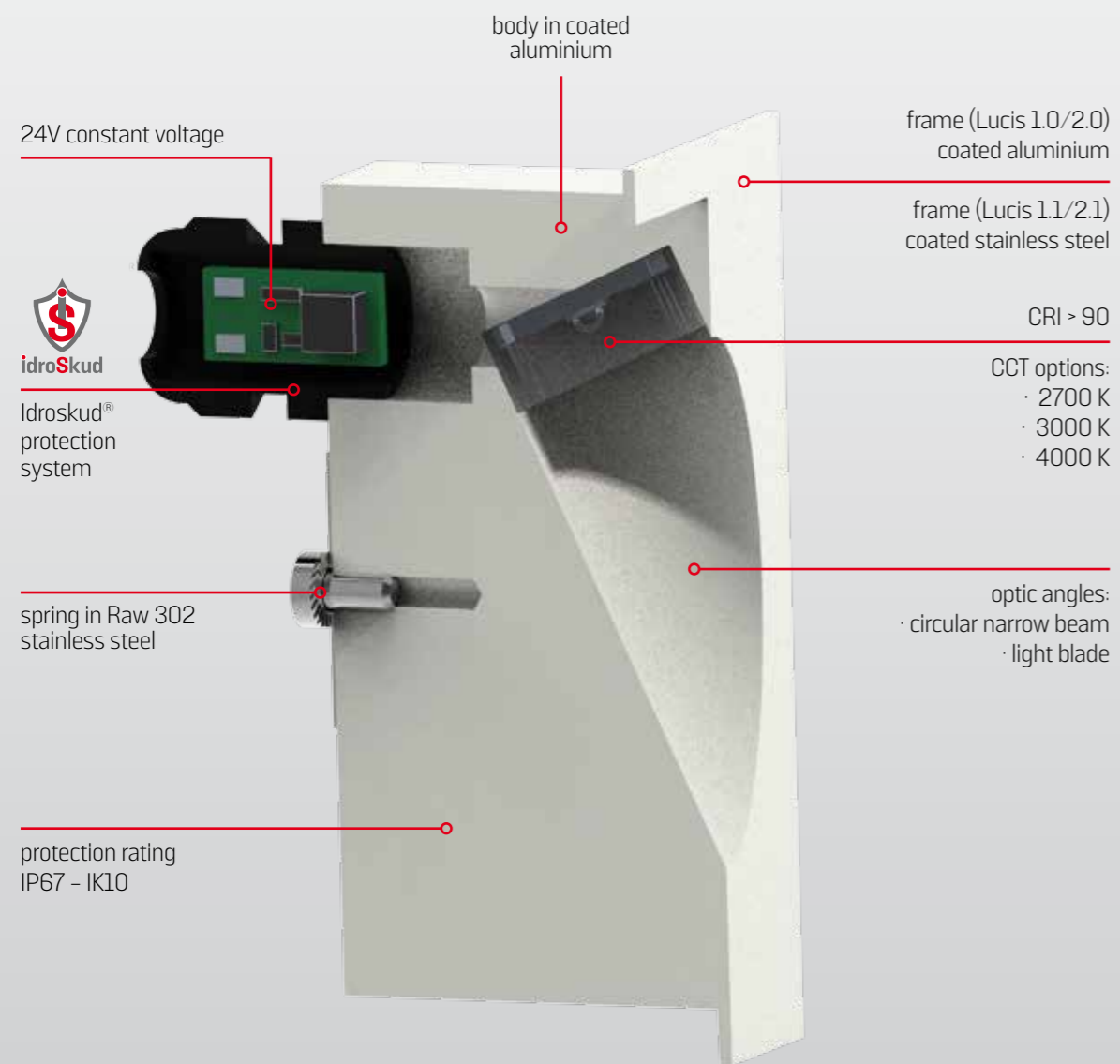
LUCIS

WALL RECESSED STEP LIGHTS



LUCIS

CONSTRUCTION FEATURES



LUCIS

FAMILY RANGE





LUCIS 1.0

Wall-recessed fixture, suitable for **outdoor** use (IP66/IP67), with a wide operating temperature range: **-20°C / +50°C**.

The body is made of **aluminium** protected by an epoxy polyester paint that guarantees a corrosion resistance of 1500 hours in salt spray.

Four finishes are available: white RAL9003, black RAL9005, anthracite RAL7016 and CORTEN.

The light source consists of a single **2W** power LED chip powered at 24V constant voltage.

The rectangular frame has an oval opening for a circular diffuse light beam oriented towards the floor.

The luminous flux up to **25 lm** (3000K) and the design make it **ideal** as a marker light for footpaths or stairways.

Different **colour temperatures** are available: 2700K, 3000K, 4000K with CRI > 90.

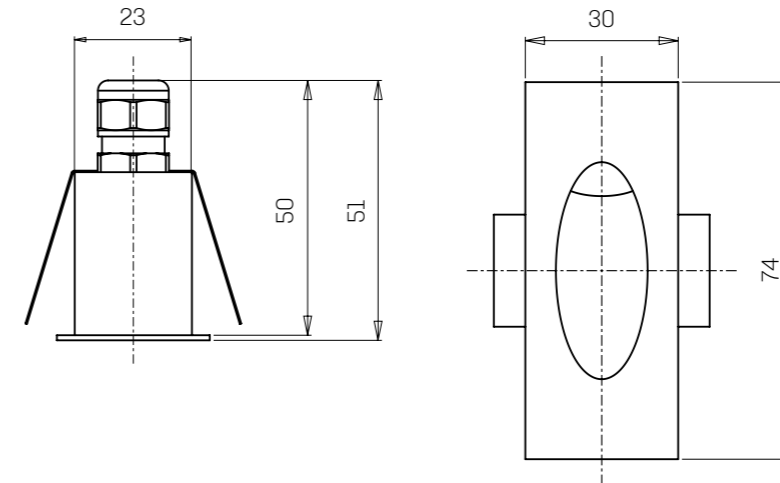
Lucis 1.0 is equipped with the **IdroSkud®** system to protect electronic components from voltage spikes, polarity reversal and water infiltration.

Installation accessories (wall outer case and external wall insulation outer case) are provided.

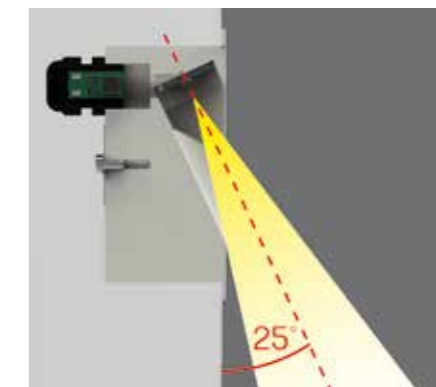
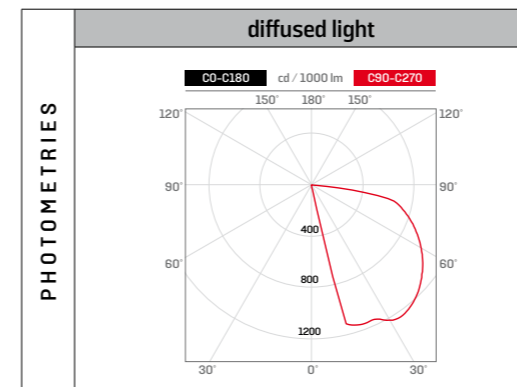


power	2W - single Power Led
power supply	24V constant voltage
insulation class	III class
IP rating	IP66 / IP67
IK rating	IK 10
operating temperature	-20°C / +50°C
size	30 x 74 x 50 mm
light source flux	175 lm (3000K)
effective flux	up to 25 lm (3000K)
beam angles	circular narrow beam
CCT	2700K - 3000K - 4000K
CRI	> 90
BIN selection	3 Step MacAdam
lifetime	L80 B10 50.000 h

body materials	aluminium anticorodal 6082
finishing	first coat with protective primer followed by epoxy polyester for corrosion resistance guaranteeing 1500h in salt spray
colours	- white RAL9003 - black RAL9005 - anthracite RAL7016 - CORTEN
spring	302 stainless steel raw
mounting	with outer case
power cable	0,4 m FR5FOEM7 - AD8 2X0.5 mm ²
electrical connection	parallel
weight	135 g
protection system	IdroSkud® System _ polarity reversal protection _ voltage spikes protection _ water infiltration protection
Made in	ITALY



ACCESSORIES	wall outer case	external wall insulation outer case
	LUCZZZ000	LUCZZZ001
	29x68x72 mm	29x68x72 mm with flaps
power supply for recommended models see page 98 of the catalogue		



family	MIZAR LUCIS
model	LUCIS 1.0
CCT	2700 K 3000 K 4000 K
CRI	> 90
beam angles	no one
optionals	no one
finishing	white RAL9003 black RAL9005 CORTEN anthracite RAL7016
cable length	0,4m
variant	standard

For correct code composition see instructions on page 151 of the catalogue or go to www.mizar.it





LUCIS 1.1

Wall-recessed fixture, suitable for **outdoor** use (IP66/IP67), with a wide operating temperature range: **-20°C / +50°C**.

The body is made of **aluminium** protected by an epoxy polyester paint that guarantees a corrosion resistance of 1500 hours in salt spray.

Four finishes are available: white RAL9003, black RAL9005, anthracite RAL7016 and CORTEN.

The light source consists of a single **2W** power LED chip powered at 24V constant voltage.

The rectangular frame has a blade-shaped opening for a linear diffuse light beam oriented towards the floor.

The luminous flux up to **20 lm** (3000K) and the design make it **ideal** as a marker light for footpaths or stairways.

Different **colour temperatures** are available: 2700K, 3000K, 4000K with CRI > 90.

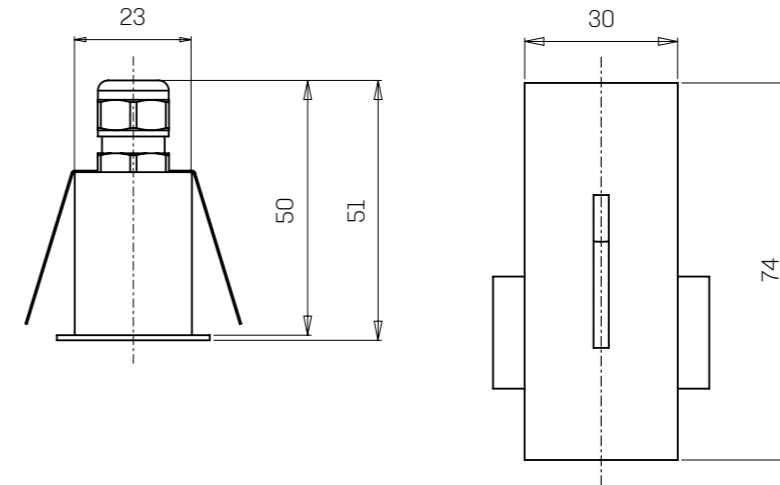
Lucis 1.1 is equipped with the **IdroSkud®** system to protect electronic components from voltage spikes, polarity reversal and water infiltration.

Installation accessories (wall outer case and external wall insulation outer case) are provided.

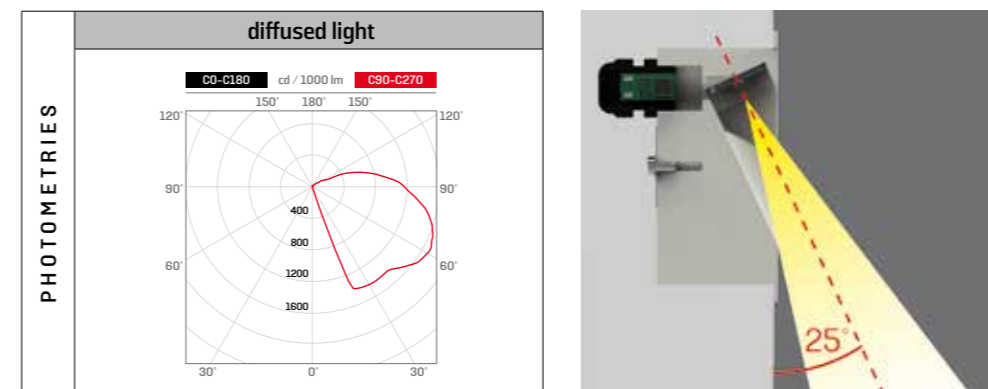


power	2W - single Power Led
power supply	24V constant voltage
insulation class	III class
IP rating	IP66 / IP67
IK rating	IK 10
operating temperature	-20°C / +50°C
size	30 x 74 x 50 mm
light source flux	175 lm (3000K)
effective flux	up to 20 lm (3000K)
beam angles	light blade
CCT	2700K - 3000K - 4000K
CRI	> 90
BIN selection	3 Step MacAdam
lifetime	L80 B10 50.000 h

body materials	aluminium anticorodal 6082
frame materials	316L stainless steel
finishing	first coat with protective primer followed by epoxy polyester for corrosion resistance guaranteeing 1500h in salt spray
colours	- white RAL9003 - black RAL9005 - anthracite RAL7016 - CORTEN
spring	302 stainless steel raw
mounting	with outer case
power cable	0,4 m FR5F0EM7 - AD8 2X0.5 mm ²
electrical connection	parallel
weight	169 g
protection system	IdroSkud® System _ polarity reversal protection _ voltage spikes protection _ water infiltration protection
Made in	ITALY



ACCESSORIES	wall outer case	external wall insulation outer case
	LUCZZZ000	LUCZZZ001
	29x68x72 mm	29x68x72 mm with flaps
power supply for recommended models see page 98 of the catalogue		



family	MIZAR LUCIS
model	LUCIS 1.1
CCT	2700 K 3000 K 4000 K
CRI	> 90
beam angles	no one
optionals	no one
finishing	white RAL9003 black RAL9005 CORTEN anthracite RAL7016
cable length	0,4m
variant	standard

For correct code composition see instructions on page 151 of the catalogue or go to www.mizar.it



PRODUCT CODE CONFIGURATION



family	
LUC	MIZAR LUCIS
model	
02	LUCIS 2.0
CCT	
C	2700 K
D	3000 K
F	4000 K
CRI	
C	> 90
beam angles	
Z	no one
optionals	
O	no one
finishing	
WO	white RAL9003
BO	black RAL9005
CT	CORTEN
GO	anthracite RAL7016
cable length	
A	0,4m
variant	
00	standard



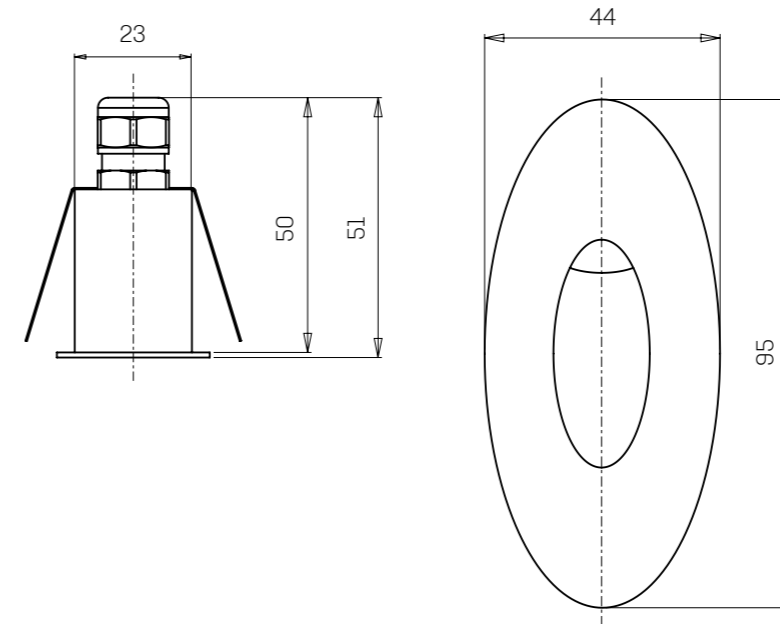
LUCIS 2.0

Wall-recessed fixture, suitable for **outdoor** use (IP66/IP67), with a wide operating temperature range: **-20°C / +50°C**. The body is made of **aluminium** protected by an epoxy polyester paint that guarantees a corrosion resistance of 1500 hours in salt spray. Four finishes are available: white RAL9003, black RAL9005, anthracite RAL7016 and CORTEN. The light source consists of a single **2W** power LED chip powered at 24V constant voltage. The oval frame has an oval opening for a circular diffuse light beam oriented towards the floor. The luminous flux up to **25 lm** (3000K) and the design make it **ideal** as a marker light for footpaths or stairways. Different **colour temperatures** are available: 2700K, 3000K, 4000K with CRI > 90. Lucis 2.0 is equipped with the **IdroSkud®** system to protect electronic components from voltage spikes, polarity reversal and water infiltration. Installation accessories (wall outer case and external wall insulation outer case) are provided.

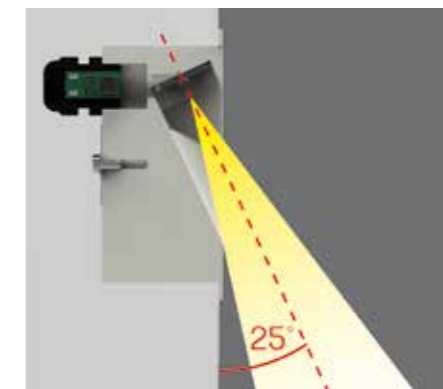
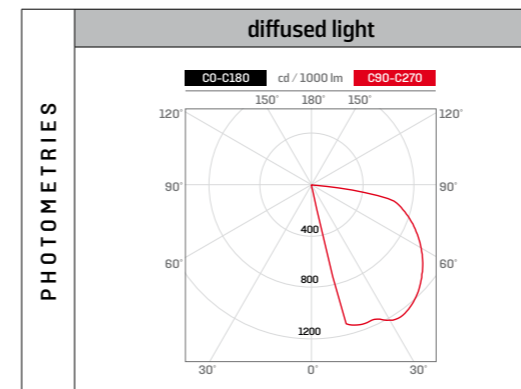


power	2W - single Power Led
power supply	24V constant voltage
insulation class	III class
IP rating	IP66 / IP67
IK rating	IK 10
operating temperature	-20°C / +50°C
size	44 x 95 x 50 mm
light source flux	175 lm (3000K)
effective flux	up to 25 lm (3000K)
beam angles	circular narrow beam
CCT	2700K - 3000K - 4000K
CRI	> 90
BIN selection	3 Step MacAdam
lifetime	L80 B10 50.000 h

body materials	aluminium anticorodal 6082
finishing	first coat with protective primer followed by epoxy polyester for corrosion resistance guaranteeing 1500h in salt spray
colours	- white RAL9003 - black RAL9005 - anthracite RAL7016 - CORTEN
spring	302 stainless steel raw
mounting	with outer case
power cable	0,4 m FR5FOEM7 - AD8 2X0.5 mm ²
electrical connection	parallel
weight	147 g
protection system	IdroSkud® System - polarity reversal protection - voltage spikes protection - water infiltration protection
Made in	ITALY



ACCESSORIES	wall outer case	external wall insulation outer case
	LUCZZZ000	LUCZZZ001
	29x68x72 mm	29x68x72 mm with flaps
power supply for recommended models see page 98 of the catalogue		



For correct code composition see instructions on page 151 of the catalogue or go to www.mizar.it





LUCIS 2.1

Wall-recessed fixture, suitable for **outdoor** use (IP66/IP67), with a wide operating temperature range: **-20°C / +50°C**.

The body is made of **aluminium** protected by an epoxy polyester paint that guarantees a corrosion resistance of 1500 hours in salt spray.

Four finishes are available: white RAL9003, black RAL9005, anthracite RAL7016 and CORTEN.

The light source consists of a single **2W** power LED chip powered at 24V constant voltage.

The oval frame has a blade-shaped opening for a linear diffuse light beam oriented towards the floor.

The luminous flux up to **20 lm** (3000K) and the design make it **ideal** as a marker light for footpaths or stairways.

Different **colour temperatures** are available: 2700K, 3000K, 4000K with CRI > 90.

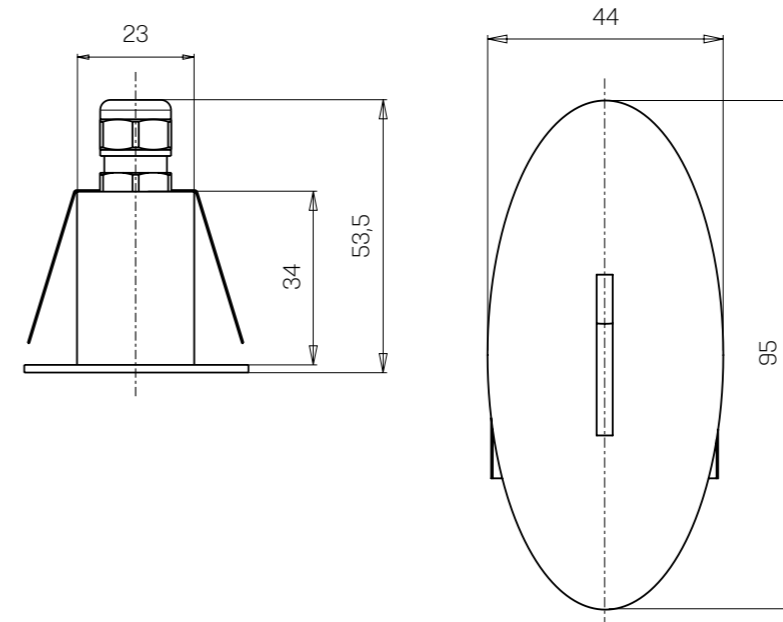
Lucis 2.1 is equipped with the **IdroSkud®** system to protect electronic components from voltage spikes, polarity reversal and water infiltration.

Installation accessories (wall outer case and external wall insulation outer case) are provided.

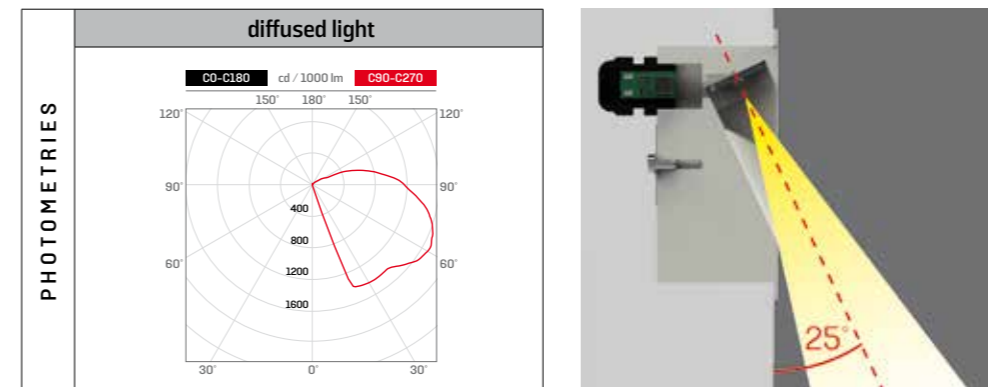


power	2W - single Power Led
power supply	24V constant voltage
insulation class	III class
IP rating	IP66 / IP67
IK rating	IK 10
operating temperature	-20°C / +50°C
size	44 x 95 x 53,5 mm
light source flux	175 lm (3000K)
effective flux	up to 20 lm (3000K)
beam angles	light blade
CCT	2700K - 3000K - 4000K
CRI	> 90
BIN selection	3 Step MacAdam
lifetime	L80 B10 50.000 h

body materials	aluminium anticorodal 6082
frame materials	316L stainless steel
finishing	first coat with protective primer followed by epoxy polyester for corrosion resistance guaranteeing 1500h in salt spray
colours	- white RAL9003 - black RAL9005 - anthracite RAL7016 - CORTEN
spring	302 stainless steel raw
mounting	with outer case
power cable	0,4 m FR5FOEM7 - AD8 2X0,5 mm ²
electrical connection	parallel
weight	185 g
protection system	IdroSkud® System _ polarity reversal protection _ voltage spikes protection _ water infiltration protection
Made in	ITALY



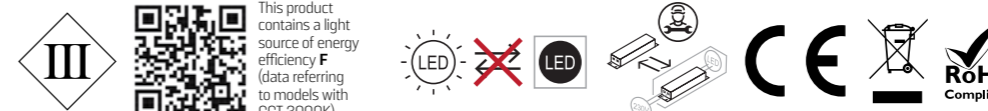
ACCESSORIES	wall outer case	external wall insulation outer case
	LUCZZ000	LUCZZ001
	29x68x72 mm	29x68x72 mm with flaps
power supply for recommended models see page 98 of the catalogue		



PRODUCT CODE CONFIGURATION

family	MIZAR LUCIS
LUC	MIZAR LUCIS
model	LUCIS 2.1
03	LUCIS 2.1
CCT	2700 K 3000 K 4000 K
C	> 90
beam angles	no one
Z	no one
optionals	no one
O	no one
finishing	white RAL9003 black RAL9005 CORTEN anthracite RAL7016
cable length	0,4m
variant	standard
00	standard

For correct code composition see instructions on page 151 of the catalogue or go to www.mizar.it



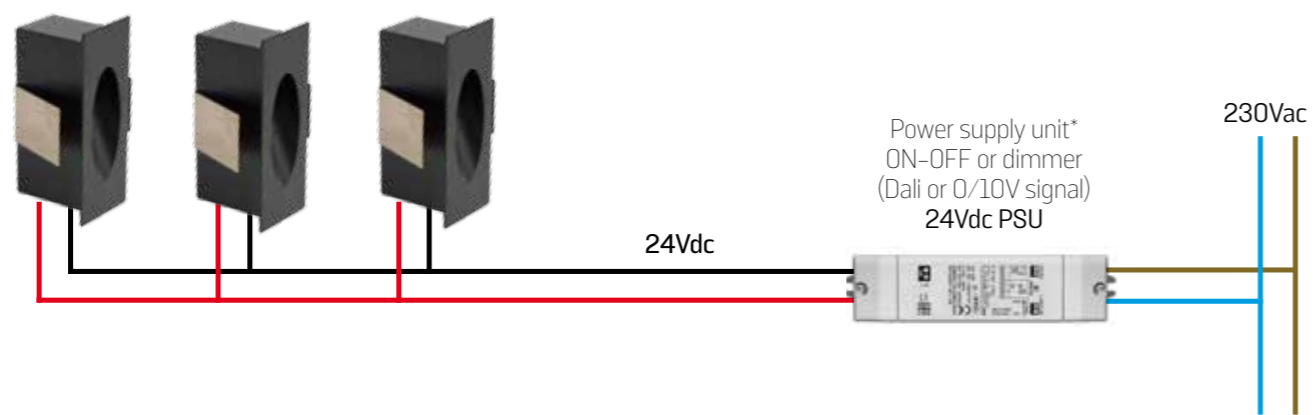


LUCIS



PARALLEL ELECTRICAL CONNECTION

ON-OFF OR DIMMER SYSTEM (DALI OR 0-10V SIGNAL)

All lights are signed for parallel connection with ON-OFF or dimmer power supply units



* The power supply unit must have sufficient power to supply the number of lights in the circuit plus a tolerance of 30% to handle the inrush current

SUGGESTED POWER SUPPLY	code	OUT tension	output max	W max	IP	supported spotlight model	number of spotlights	
	MID0019	24V	600mA dc	14,4 W	IP67	LUCIS 1.0 - 1.1 - 2.0 - 2.1	5	
	MID0020	24V	1500mA dc	24 W	IP67	LUCIS 1.0 - 1.1 - 2.0 - 2.1	11	
	MID0021	DALI 24V	1000mA dc	24 W	IP67	LUCIS 1.0 - 1.1 - 2.0 - 2.1	9	