



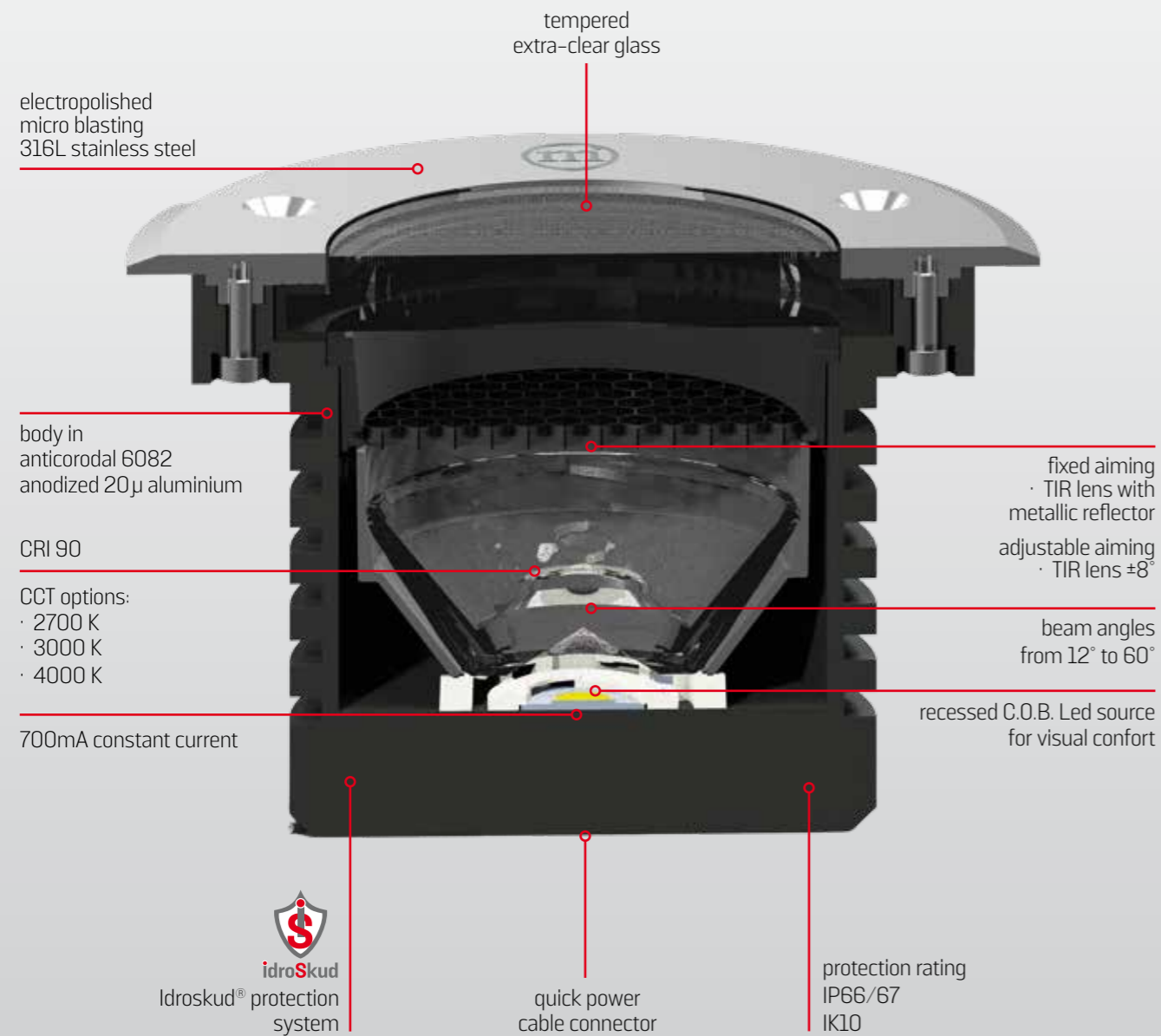
ACUS

OUTDOOR DRIVE-OVER
INGROUNDS



ACUS

CONSTRUCTION FEATURES



ACUS

FAMILY RANGE

ACUS 1.0	ACUS 1.1	ACUS 2.0
fixed aiming with lens	fixed aiming with reflector	adjustable aiming with lens



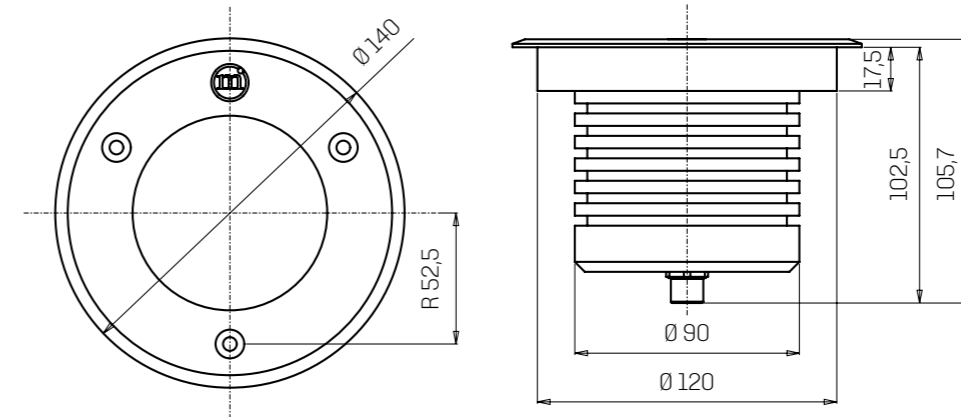
ACUS 1.0

Inground luminaire, **drive-over**, suitable for **outdoor** use (IP66/IP67), with an operating temperature range of **-20°C / +50°C**.
 To reduce weight and ensure resistance to wear, the body is made of **aluminium** and the round ring nut of **steel**.
 The light source consists of C.O.B LEDs supplied with constant current, max. 700mA, for a maximum power of **25W**.
 The luminous flux up to **2005 lm** (3000K) makes it **ideal** for marking pedestrian and vehicle **paths** or illuminating façades and architectural details thanks to the optics with TIR lens and beam angles: 14°, 25°, 40°.
 The source is recessed for greater visual comfort.
 Light **colour temperature** available in variants: 2700K, 3000K, 4000K with CRI > 90.
 Acus 1.0 is equipped with the **IdroSkud®** system to protect electronic components from voltage spikes, polarity reversal and water infiltration.
 Options for anti-glare (honeycomb and louvre) and installation accessories (drive-over outer case) are provide.

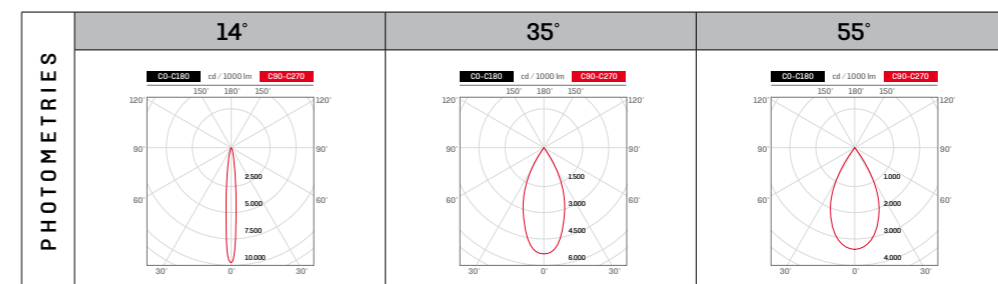


power	25W - C.O.B. Leds
power supply	700mA constant current
insulation class	III class
IP rating	IP66 / IP67
IK rating	IK 10
operating temperature	-20°C / +50°C
size	Ø 140 x 106 mm
light source flux	2652 lm (3000K)
effective flux	up to 2005 lm (3000K)
optics	TIR lens
beam angles	14° - 35° - 55°
CCT	2700K - 3000K - 4000K
CRI	> 90
BIN selection	3 Step MacAdam

lifetime	L80 B10 50.000 h
body materials	anticorodal 6082 black anodized aluminium
frame materials	electropolished shot peened 316L stainless steel
screen	tempered extra-clear glass 12 mm thick
installation	with outer case
power cable	connection via quick connector supplied
electrical connection	serial connection
weight	1325 g
protection system	IdroSkud® System _ polarity reversal protection _ voltage spikes protection _ water infiltration protection
made in	ITALY



OPTIONALS	honeycomb	louvre	ACCESSORIES	drive-over outer case
				ACUZZZ000
				Ø 126x189.5 mm
				power supply for recommended models see page 84 of the catalogue



family	ACU	MIZAR ACUS
model	00	ACUS 1.0
CCT	C	2700 K
	D	3000 K
	F	4000 K
CRI	C	> 90
beam angles	S	14°
	M	35°
	L	55°
optionals	0	no one
	2	honeycomb
	3	louvre
frame finishing	00	stainless steel
cable length	Z	connector
variant	00	standard

For correct code composition see instructions on page 151 of the catalogue or go to www.mizar.it





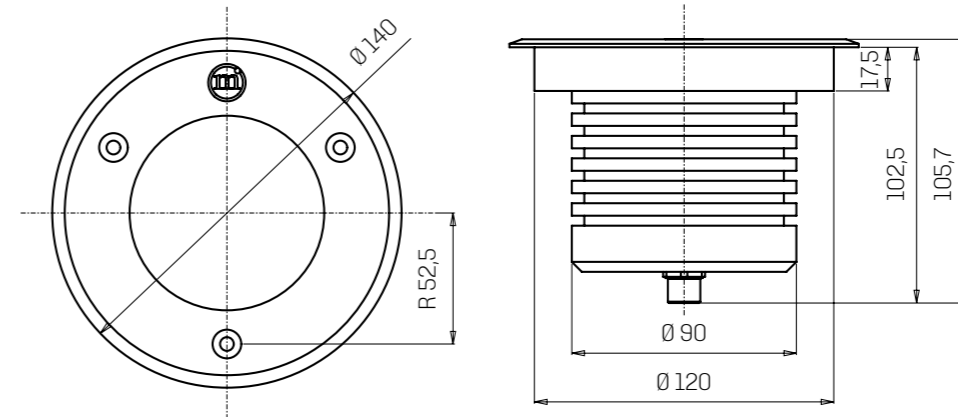
ACUS 1.1

Inground luminaire, **drive-over**, suitable for **outdoor** use (IP66/IP67), with an operating temperature range of **-20°C / +50°C**.
 To reduce weight and ensure resistance to wear, the body is made of **aluminium** and the round frame of **steel**.
 The light source consists of C.O.B LEDs supplied with Constant current, max. 700mA, for a maximum power of **25W**.
 The luminous flux up to **2165 lm** (3000K) makes it **ideal** for marking pedestrian and vehicle **paths** or illuminating façades and architectural details thanks to the optics with reflector and beam angles: 12°, 25°, 40°, 60°.
 The source is recessed for greater visual comfort.
 Light **colour temperature** available in variants: 2700K, 3000K, 4000K with CRI > 90.
 Acus 1.1 is equipped with the **IdroSkud®** system to protect electronic components from voltage spikes, polarity reversal and water infiltration.
 Options for anti-glare (honeycomb and louver) and installation accessories (drive-over outer case) are provided.

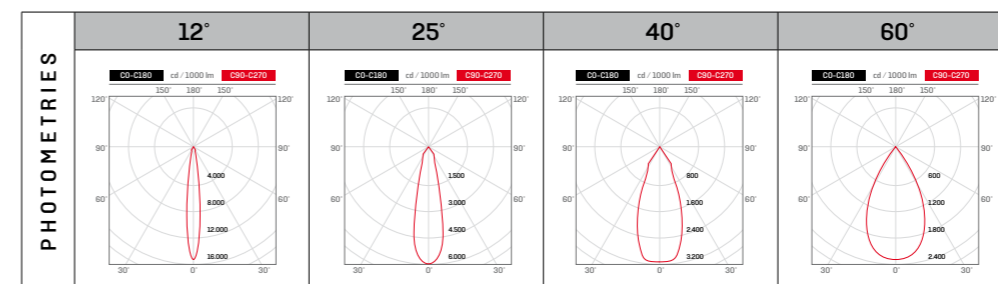


power	25W - C.O.B. Leds
power supply	700mA constant current
insulation class	III class
IP rating	IP66 / IP67
IK rating	IK10
operating temperature	-20°C / +50°C
size	Ø 140 x 106 mm
light source flux	2652 lm (3000K)
effective flux	up to 2165 lm (3000K)
optics	fixed optics with reflector
beam angles	12° - 25° - 40° - 60°
CCT	2700K - 3000K - 4000K
CRI	> 90
BIN selection	3 Step MacAdam

lifetime	L80 B10 50.000 h
body materials	anticorodal 6082 black anodized aluminium
frame materials	electropolished shot peened 316L stainless steel
screen	tempered extra-clear glass 12 mm thick
installation	with outer case
power cable	connection via quick connector supplied
electrical connection	serial connection
weight	1300 g
protection system	IdroSkud® System _ polarity reversal protection _ voltage spikes protection _ water infiltration protection
made in	ITALY

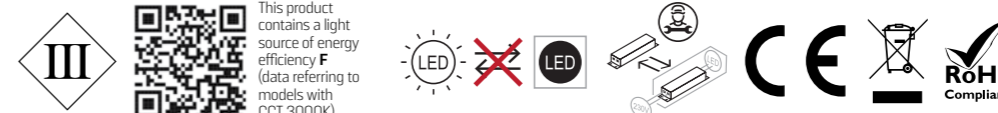


OPTIONALS	honeycomb	louvre	ACCESSORIES	drive-over outer case
				ACUZZZ000
				Ø 126x189.5 mm
				power supply for recommended models see page 84 of the catalogue



family	ACU	MIZAR ACUS
model	O1	ACUS 1.1
CCT	C	2700 K
	D	3000 K
	F	4000 K
CRI	C	> 90
beam angles	S	12°
	M	25°
	L	40°
	W	60°
optionals	0	no one
	2	honeycomb
	3	louvre
frame finishing	OO	stainless steel
cable length	Z	connector
variant	OO	standard

For correct code composition see instructions on page 151 of the catalogue or go to www.mizar.it





ACUS 2.0

Inground luminaire, **drive-over**, suitable for **outdoor** use (IP66/IP67), with an operating temperature range of **-20°C / +50°C**.

To reduce weight and ensure resistance to wear, the body is made of **aluminium** and the round frame of **steel**. The light source consists of C.O.B LEDs supplied with constant current, max. 700mA, for a maximum power of **13W**.

The luminous flux up to **980 lm** (3000K) makes it **ideal** for marking pedestrian and vehicle **paths** or illuminating façades and architectural details thanks to optics with $\pm 8^\circ$ adjustable TIR lens and beam angles: 15°, 26°, 60°.

The source is recessed for greater visual comfort. Different **colour temperatures** are available: 2700K, 3000K, 4000K with CRI > 90.

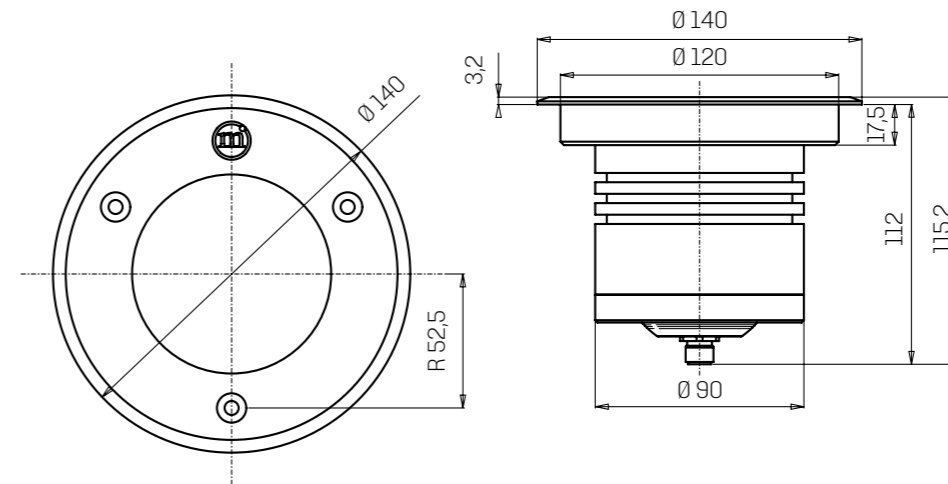
Acus 2.0 is equipped with the **IdroSkud®** system to protect electronic components from voltage spikes, polarity reversal and water infiltration.

Options for anti-glare (honeycomb) and installation accessories (drive-over outer case) are provide.

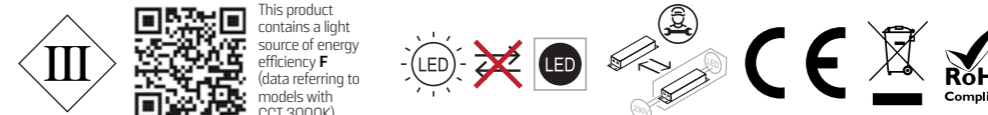
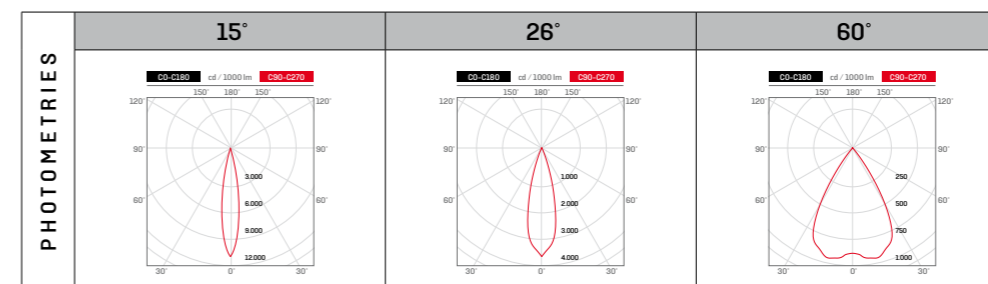


power	13W – C.O.B. Leds
power supply	700mA constant current
insulation class	III class
IP rating	IP66 / IP67
IK rating	IK 10
operating temperature	-20°C / +50°C
size	Ø 140 x 106 mm
light source flux	1313 lm (3000K)
effective flux	up to 980 lm (3000K)
optics	$\pm 8^\circ$ tiltable TIR lens
beam angles	15° - 26° - 60°
CCT	2700K - 3000K - 4000K
CRI	> 90
BIN selection	3 Step MacAdam

lifetime	L80 B10 50.000 h
body materials	anticorodal 6082 black anodized aluminium
frame materials	electropolished shot peened 316L stainless steel
screen	tempered extra-clear glass 12 mm thick
installation	with outer case
power cable	connection via quick connector supplied
electrical connection	serial connection
weight	1650 g
protection system	IdroSkud® System _ polarity reversal protection _ voltage spikes protection _ water infiltration protection
made in	ITALY



OPTIONALS	honeycomb	
	drive-over outer case	
ACCESSORIES	ACUZZ000	
		Ø 126x189,5 mm
	power supply for recommended models see page 84 of the catalogue	



ACUS 2.0

PRODUCT CODE CONFIGURATION



family	MIZAR ACUS
ACU	MIZAR ACUS
model	ACUS 2.0
02	ACUS 2.0
CCT	
C	2700 K
D	3000 K
F	4000 K
CRI	
C	> 90
beam angles	
S	15°
M	26°
L	60°
optionals	
0	no one
2	honeycomb
frame finishing	
00	stainless steel
cable length	
Z	connector
variant	
00	standard

For correct code composition see instructions on page 151 of the catalogue or go to www.mizar.it



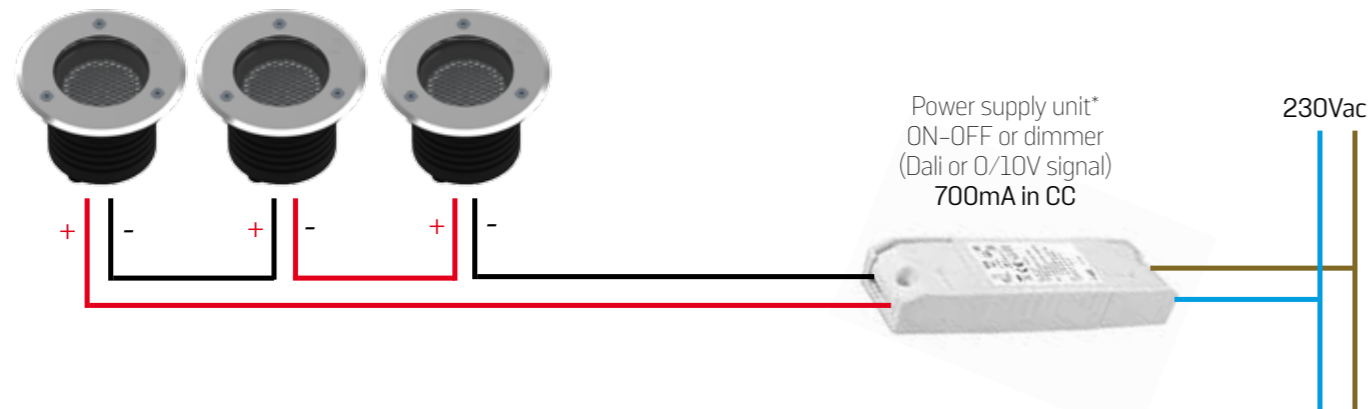


ACUS

IN-SERIES ELECTRICAL CONNECTION

ON-OFF OR DIMMER SYSTEM (DALI OR 0-10V SIGNAL)

All lights are signed for in-series connection with ON-OFF or dimmer power supply units



* The power supply unit must have sufficient power to supply the number of lights in the circuit plus a tolerance of 30% to handle the inrush current

SUGGESTED POWER SUPPLY	code	OUT tension	output max	W max	IP	supported spotlight model	number of spotlights	
	MID0022	5-44V	700mA	30 W	IP20	ACUS 1.0 - 1.1	1	
					ACUS 2.0	2		
MID0024	25-85V	350-700mA	15/70 W	IP20	ACUS 1.0 - 1.1	2		
					ACUS 2.0	4		
MID0025	10-54V DALI-nfc	150-1050mA	1.5/38 W	IP20	ACUS 1.0 - 1.1	1		
					ACUS 2.0	2		
MID0026	10-50 V	700 mA	15/70 W	IP68	ACUS 1.0 - 1.1	1		
					ACUS 2.0	2		
MID0027	2-49V DALI	700 mA	1/30 W	IP68	ACUS 1.0 - 1.1	1		
					ACUS 2.0	2		

