



aluminium



steel

OCEANO 8

Projector suitable for **outdoor** use and **underwater** up to 10m (IP66/IP68) with an operating temperature range of **-20°C / +50°C**.

To offer maximum versatility of application the body can be made of **aluminium** or **steel**; for both models, the bracket are made in steel and allows the fixture's inclination to be adjusted.

The light source consists of a single chip **7W** power LED supplied at 24V constant voltage with integrated driver. The luminous flux of **305 lm** (3000K) makes it ideal for illuminating architectural details, garden plants or water features, thanks to different beam angles: 5°, 20° and 60° and **elliptical optics** 15x60°.

The source is recessed for greater visual comfort.

The **light colour temperature** is available variants: 2700K, 3000K, 4000K with CRI > 90.

Oceano 8.0 is equipped with the **IdroSkud®** system for the protection of electronic components against voltage spikes, reverse polarity and water ingress.

There are optionals for anti-glare (honeycom) and installation in the ground is provided (spike).

The power cable length is 0.4m;
on request: 1.5m, 5m, 10m, 15m.

power	7W - single chip Power Led
power supply	24V Constant voltage - integrated driver
insulation class	III class
IP rating	IP66 / IP68 10 m
IK rating	IK 09
operating temperature	-20°C / +50°C
size	Ø 74 x 114 x 117 mm
light source flux	410 lm (3000K)
effective flux	305 lm (3000K)
beam angles	5° - 20° - 60° - elliptical 15° x 60°
CCT	2700K - 3000K - 4000K
CRI	> 90
BIN selection	3 Step MacAdam

body materials	- anticorodal 6082 aluminium anodized 20µ - 316L stainless steel
frame materials	- anticorodal 6082 aluminium anodized 20µ - 316L stainless steel
screen	tempered extra-clear glass sp. 8 mm
installation	with stainless steel bracket
power cable	H05RN - F 2X0.75 mm ²
electrical connection	parallel
weight	748 g (aluminium) 1592 g (steel)
protection system	IdroSkud® System _ polarity reversal protection _ voltage peak protection _ water ingress protection
made in	ITALY ■ ■



OCEANO 8

PRODUCT CODE CONFIGURATION



family

CEA	MIZAR OCEANO
-----	--------------

model

15	OCEANO 8
----	----------

CCT

C	2700 K	
D	3000 K	
F	4000 K	

CRI

C	> 90
---	------

beam angles

S	5°	
M	20°	
L	60°	
E	15°x60° ell.	

optionals

0	no one	
1	honeycomb	

frame finishing

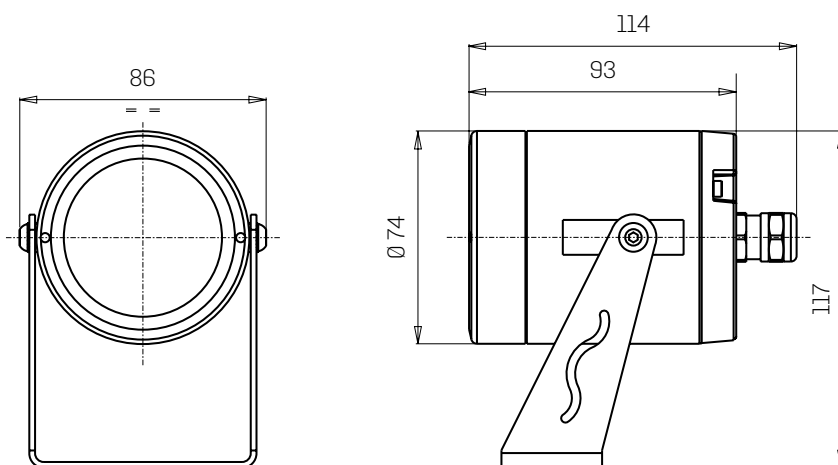
00	aluminium
01	steel

cable lenght

A	0,4 m
C	1,5 m
H	5 m
M	10 m
P	15 m

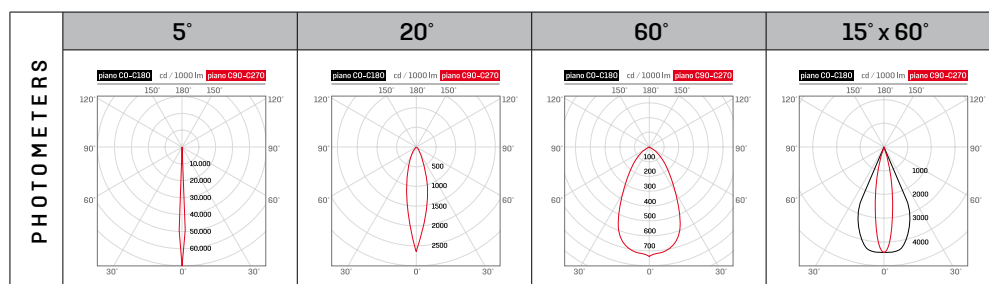
variant

00	standard
----	----------



OPTIONALS	honeycomb	cable m 0,4, 1,5, 5, 10, 15

ACCESSORIES	spike
	CEAZZ017
power supply for recommended models see page 54 of the catalogue	



For correct code composition see instructions on page 151 of the catalogue or go to www.mizar.it



This product contains a light source of energy efficiency G (data referring to models with CCT 3000K)

