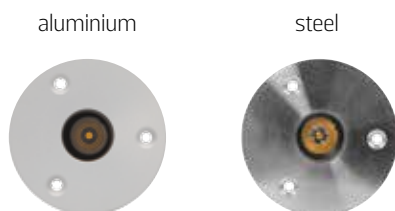


OCEANO 3.2



Ground recessed, **drive-over** luminaire, suitable for **outdoor** use and **immersed** up to 10m (IP66/IP68), with range operating temperature range: **-20°C / +50°C**. To offer maximum versatility of application the body can be made of **aluminium** or **steel**; the round frame in aluminium, steel or brass. The light source consists of a single chip **3W** power LED supplied at 24V constant voltage with integrated driver. The luminous flux of **153 lm** (3000K) makes it **ideal** for marking out **walkways** and driveways or for illuminate architectural details, thanks to different beam angles: 10°, 25° and 40° and **elliptical optics** 10°x 45°. The source is recessed for greater visual comfort. The **light colour temperature** is available variants: 2700K, 3000K, 4000K with CRI > 90. Oceano 3.2 is equipped with the **IdroSkud®** system for the protection of electronic components against voltage spikes, polarity reversal and water infiltration. There are optionals for anti-glare (honeycomb and louvre) and installation accessories are provided (drive-over formwork). The length of power cable is 0.4m; on request: 1.5m, 5m, 10m, 15m.

power	3W - single chip Power Led
power supply	24V Constant voltage - integrated driver
insulation class	III class
IP rating	IP66 / IP68 10 m
IK rating	IK10
operating temperature	-20°C / +50°C
size	Ø 90 x 93 mm
light source flux	227 lm (3000K)
effective flux	153 lm (3000K)
beam angles	10° - 25° - 40° - elliptical 10° x 45°
CCT	2700K - 3000K - 4000K
CRI	> 90
BIN selection	2 Step MacAdam

body materials	- anticorodal 6082 aluminium anodized 20µ - 316L stainless steel
frame materials	- anticorodal 6082 aluminium anodized 20µ - 316L stainless steel
screen	tempered extra-clear glass sp. 8 mm
installation	with formwork
power cable	H05RN - F 2X0.75 mm ²
electrical connection	parallel
weight	308 g (aluminium) 748 g (steel)
protection system	IdroSkud® System _ polarity reversal protection _ voltage peak protection _ water ingress protection
made in	ITALY ■ ■

OCEANO 3.2

PRODUCT CODE CONFIGURATION



family

CEA MIZAR OCEANO

model

06 OCEANO 3.2

CCT

C	2700 K	▼
D	3000 K	▼
F	4000 K	▼

CRI

C > 90

beam angles

S	10°	▼
M	25°	▼
L	40°	▼
E	10°x45° ell.	▼

optionals

0	no one	
1	honeycomb	
2	louvre	

frame finishing

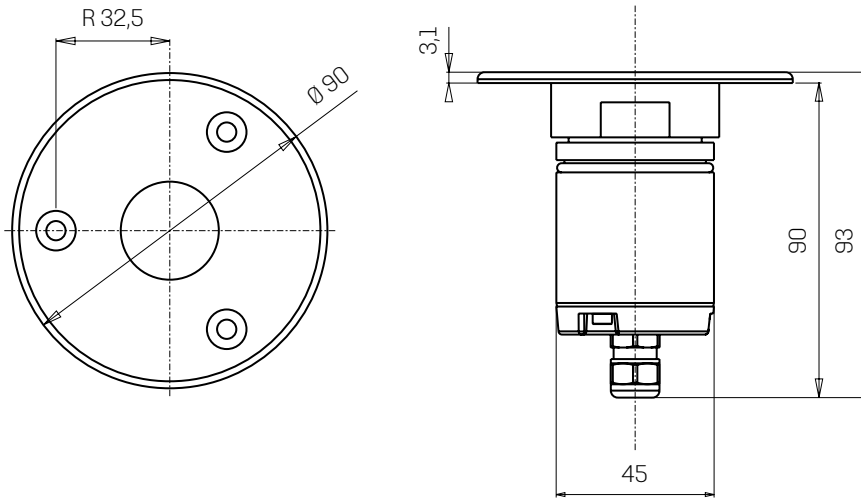
00	aluminium body aluminium frame
01	steel body steel frame

cable lenght

A	0,4 m
C	1,5 m
H	5 m
M	10 m
P	15 m

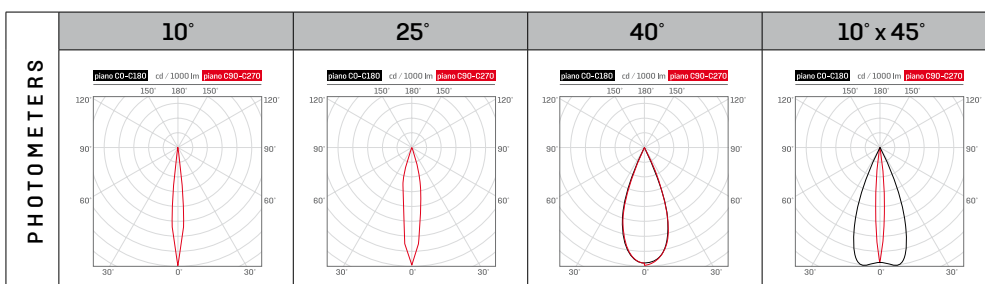
variant

00 standard



OPTIONALS	honeycomb	louvre	cable m 0.4, 1.5, 5, 10, 15

ACCESSORIES	drive-over formwork
	CEAZZZ009
	Ø 80 x Ø 150 x 166.5
	power supply for recommended models see page 40 of the catalogue



For correct code composition see instructions on page 151 of the catalogue or go to www.mizar.it



This product contains a light source of energy efficiency F (data referring to models with CCT 3000K)

