

OCEANO 2.0



Ground recessed, **walk-over** luminaire, suitable for **outdoor** use (IP66/IP68), with range operating temperature range: **-20°C / +50°C**.

To offer maximum versatility of application the body can be made of **aluminium** or **steel**; the round frame in aluminium, steel or brass.

The light source consists of a single chip **2W** power LED supplied at 24V constant voltage with integrated driver.

The luminous flux of **120 lm** (3000K) makes it **ideal** for marking out **walkways** or for obtaining a starry effect on the ceiling, thanks to different beam angles: 10°, 36° and 60° and **elliptical optics** 10°x 53°.

The source is recessed for greater visual comfort.

The **light colour temperature** is available variants: 2700K, 3000K, 4000K with CRI > 90.

Oceano 2.0 is equipped with the **IdroSkud®** system for the protection of electronic components against voltage spikes, polarity reversal and water infiltration.

There are optionals for anti-glare (honeycomb) and installation accessories are provided (formwork draining and watertight formwork and plasterboard spring). The length of power cable is 0.4m; on request: 1.5m, 5m, 10m, 15m.

power	2W - single chip Power Led
power supply	24V Constant voltage - integrated driver
insulation class	III class
IP rating	IP66 / IP68 10 m
IK rating	IK 07
operating temperature	-20°C / +50°C
size	Ø 40 x 76 mm
light source flux	195 lm (3000K)
effective flux	120 lm (3000K)
beam angles	10° - 36° - 60° - elliptical 10° x 53°
CCT	2700K - 3000K - 4000K
CRI	> 90
BIN selection	2 Step MacAdam

body materials	- anticorodal 6082 aluminium anodized 20µ - 316L stainless steel
frame materials	- anticorodal 6082 aluminium anodized 20µ - 316L stainless steel - brass
screen	tempered extra-clear glass sp. 6 mm
installation	with formwork / plasterboard spring
power cable	H05RN - F 2X0.75 mm²
electrical connection	parallel
weight	101 g (aluminium) 212 g (steel)
protection system	IdroSkud® System _ polarity reversal protection _ voltage peak protection _ water ingress protection
made in	ITALY ■ ■

OCEANO 2.0

PRODUCT CODE CONFIGURATION



family

CEA MIZAR OCEANO

model

02 OCEANO 2.0

CCT

C	2700 K	▼
D	3000 K	▼
F	4000 K	▲

CRI

C > 90

beam angles

S	10°	▼
M	36°	▼
L	60°	▼
E	10°x53° ell.	▼

optionals

0	no one	
1	honeycomb	

frame finishing

00	aluminium body aluminium frame
01	steel body steel frame
02	aluminium body brass frame
03	steel body brass frame

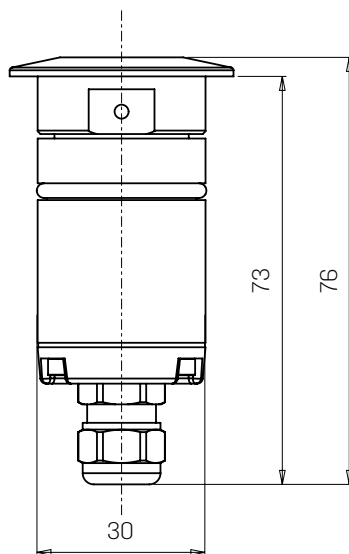
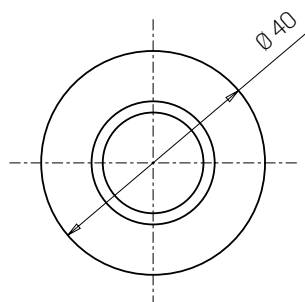
cable length

A	0,4 m
C	1,5 m
H	5 m
M	10 m
P	15 m

variant

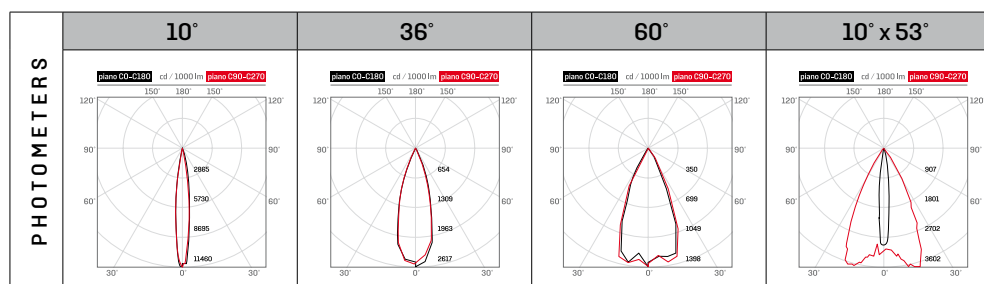
00 standard

For correct code composition see instructions on page 151 of the catalogue or go to www.mizar.it



OPTIONALS	honeycomb	cable m 0.4, 1.5, 5, 10, 15

ACCESSORIES	formwork draining	slim draining formwork	watertight formwork	plasterboard spring
	CEAZZZ003	CEAZZZ004	CEAZZZ005	CEAZZZ015
	∅ 35 x ∅ 85 x 102	∅ 35 x 100	∅ 36 x ∅ 70 x 93	
power supply for recommended models see page 40 of the catalogue				



This product contains a light source of energy efficiency **F** (data referring to models with CCT 3000K)

