



mizar

Lighting Your Way

2023/24

mizar

p. 3	Is spelled Mizar, is read Made in Italy
5	High-reliability materials
7	Original internal electronics
9	IdroSkud® Technology
12	OCEANO Walk-over and drive-over outdoor ingrounds
44	OCEANO Outdoor floodlights
58	VITRUM Walk-over outdoor fully flush ingrounds
76	ACUS Drive-over outdoor ingrounds
88	LUCIS Wall recessed step lights
102	LINEO Drive-over outdoor linear ingrounds
112	QUANTUM Wall mounted outdoor luminaires
126	VECTIS Suspended indoor luminaires
142	CALICIS Suspended indoor luminaires
149	Symbols legend
151	How to dial the product code



Is spelled **Mizar**, is read **Made in Italy**

REER Spa, operating in the fields of security technology and lighting since 1959, acquired MIZAR in 2020, an Italian brand renowned for its lighting design in recent decades.

Today, MIZAR undertakes a new path in made in Italy products development focusing on the production of lighting fixtures for applications where the quality of the fixture is a fundamental requirement of the architectural project.

The 2023-24 product catalog includes fixtures for outdoor use, walk-over and drive-over ingrounds, floodlights, wall-mounted luminaires and indoor suspended luminaires. It represents an expanding range, more and more oriented towards the quality demanded by the lighting market.



High-reliability materials

MIZAR has developed its lighting fixtures with a particular focus on the materials quality.

This ensures a very high mechanical and chemical resistance to each luminaire, preserving its functionality.

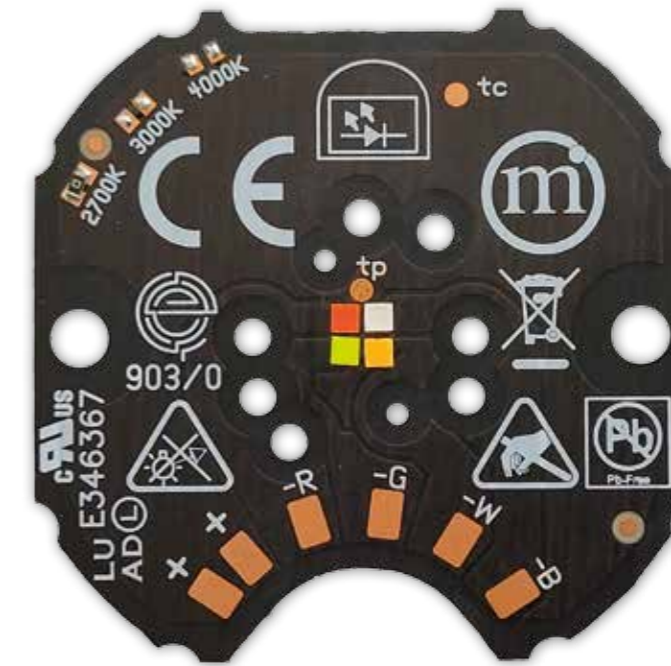
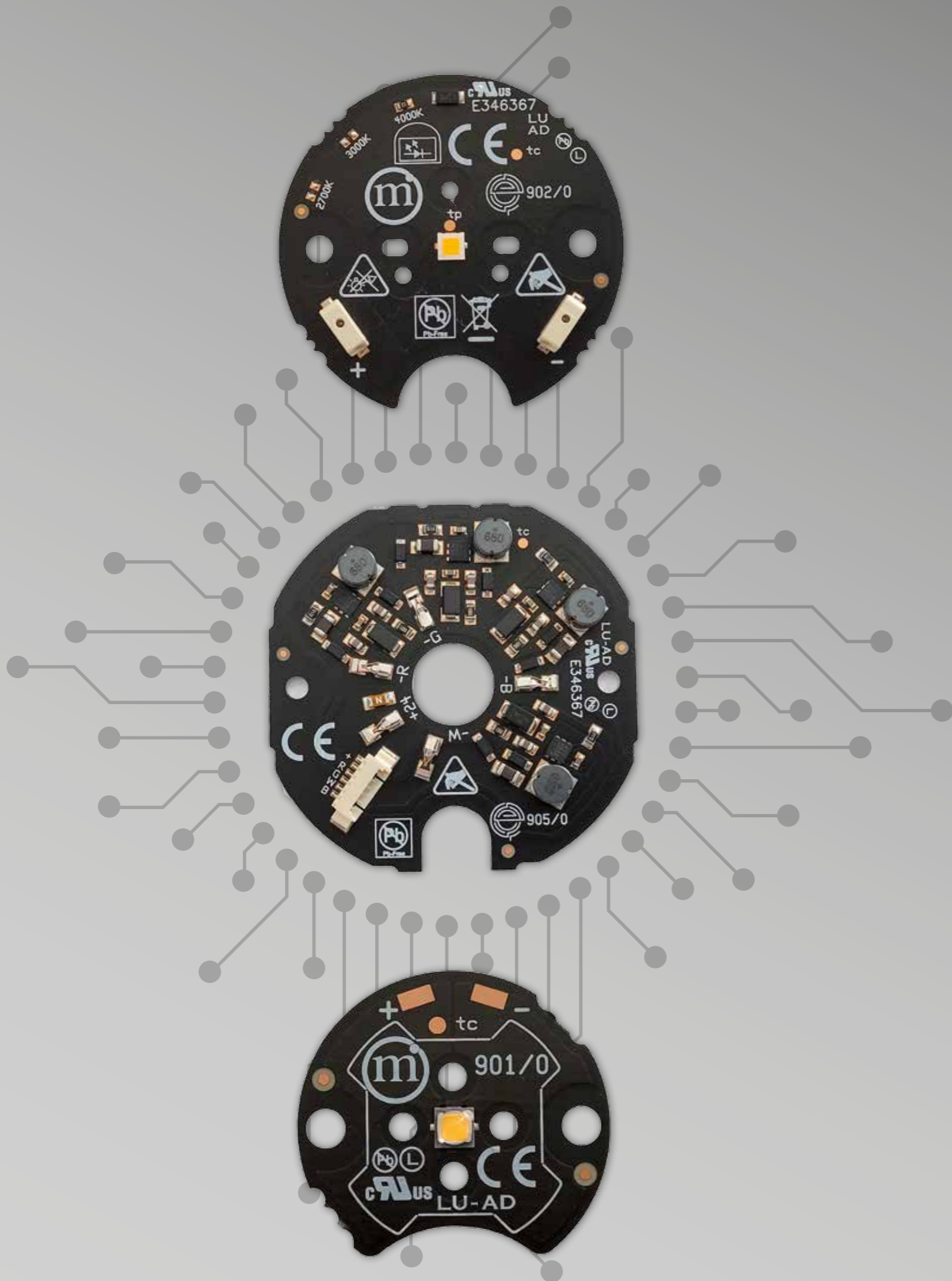
The reliability of the materials, combined with the original solutions applied to each model, represents the competitive advantage with which MIZAR intends to overcome the lighting designers challenges.

Highest standards for corrosion resistance

The choice of high-quality materials, coupled with the use of professional painting methods, allow MIZAR to meet the highest levels of ISO 9227 and ISO 12944 standards.

As a result, all MIZAR products made of die-cast aluminum and polyester powder coated are suitable for installations in C5 corrosion areas.

Even more impressively, products made of stainless steel and solid brass meet the specification for the most extreme areas classified as CX.



Original internal electronics



To properly manage the single Power LEDs and micro-drivers used in most fixtures, specific original MIZAR printed circuit boards have been created.

Each PCB is configured to ensure control and efficiency of electronic components in extreme environmental conditions such as temperature fluctuations and water pressure.



idroSkud



idroSkud

IdroSkud[®] Technology



The **IdroSkud[®]** system is an exclusive MIZAR solution developed to avoid the risks of incorrect wiring and to protect the electronic components inside the fixture from:

- Polarity reversal
- Voltage spikes
- Water infiltration

An additional guarantee of product functionality even in extreme environmental conditions.



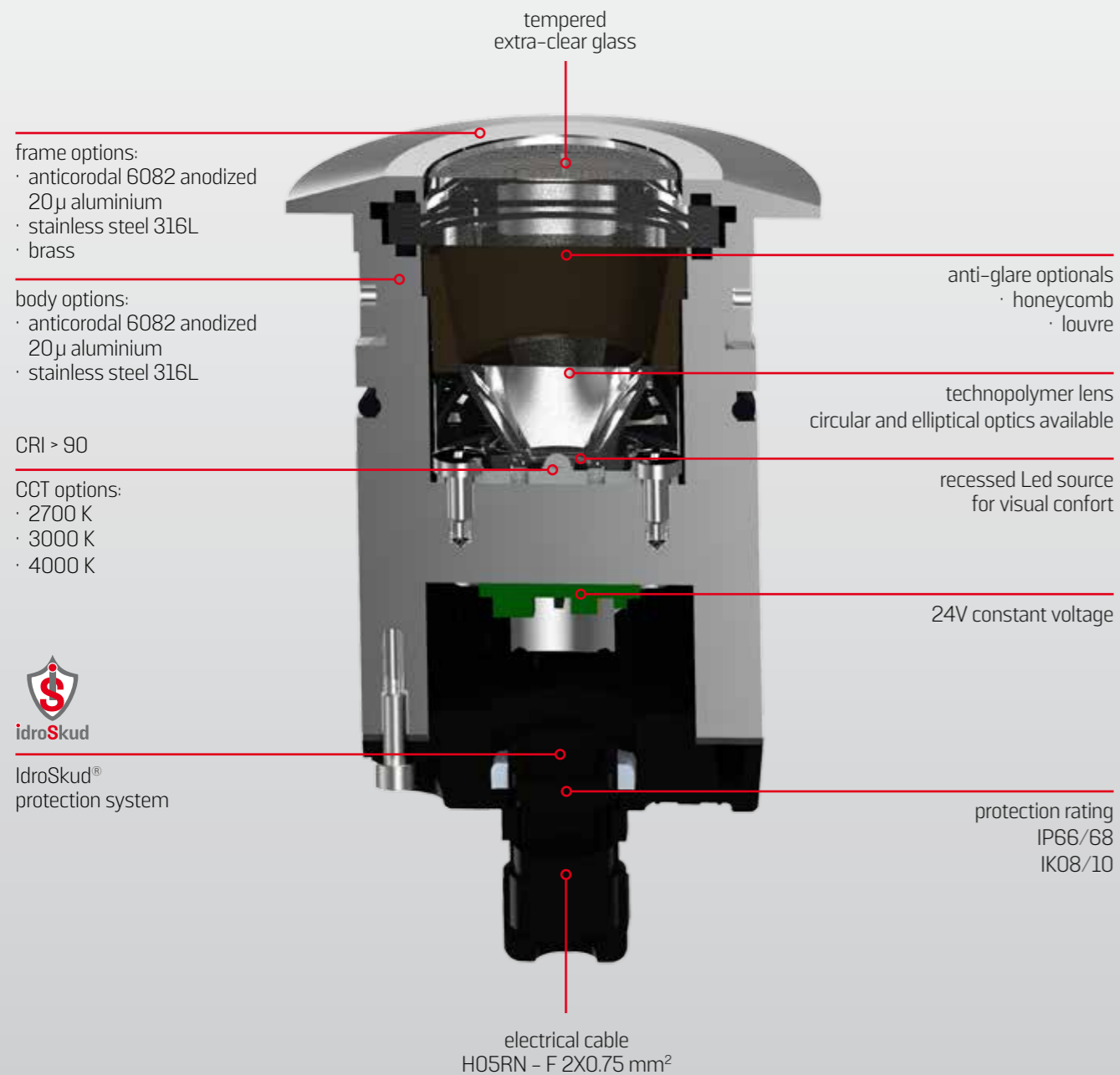
OCEANO

WALK-OVER AND DRIVE-OVER
OUTDOOR INGROUNDS



OCEANO

CONSTRUCTION FEATURES



ITALIAN DESIGN



OCEANO

WALK-OVER



DRIVE-OVER



WALK-OVER GRAZING EMISSION



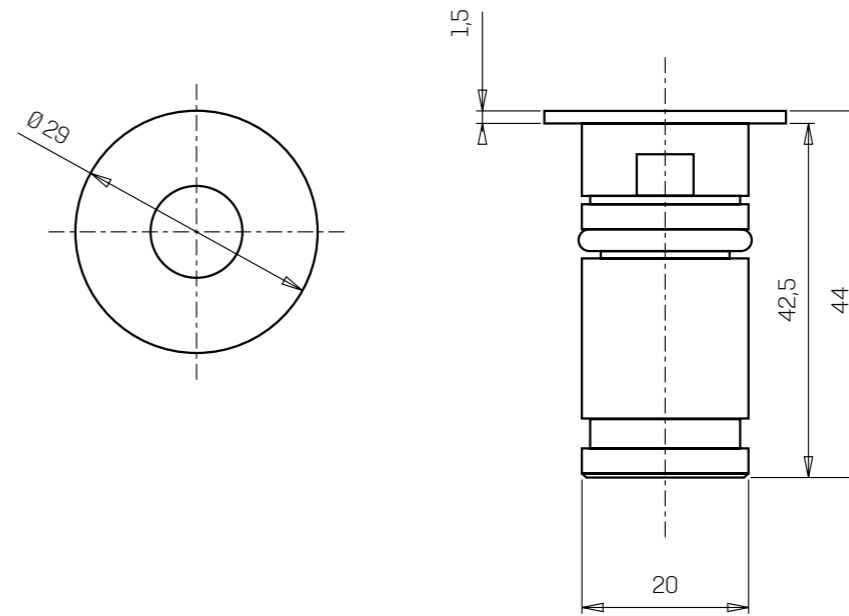
OCEANO 1.0



power	1W - single chip Power Led
power supply	24V constant voltage
insulation class	III class
IP rating	IP66 / IP68
IK rating	IK 09
operating temperature	-20°C / +50°C
size	Ø 29 x 44 mm
light source flux	172 lm (3000K)
effective flux	up to 53 lm (3000K)
beam angles	circular 15° - 25° - 40°; elliptical 20° x 43°
CCT	2700K - 3000K - 4000K
CRI	> 90
BIN selection	2 Step MacAdam
lifetime	L80 B10 50.000 h

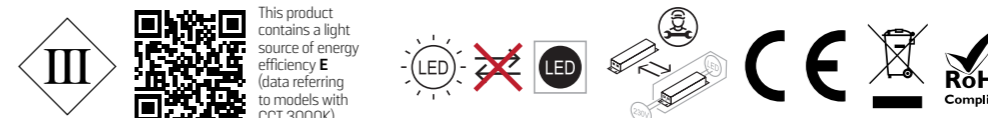
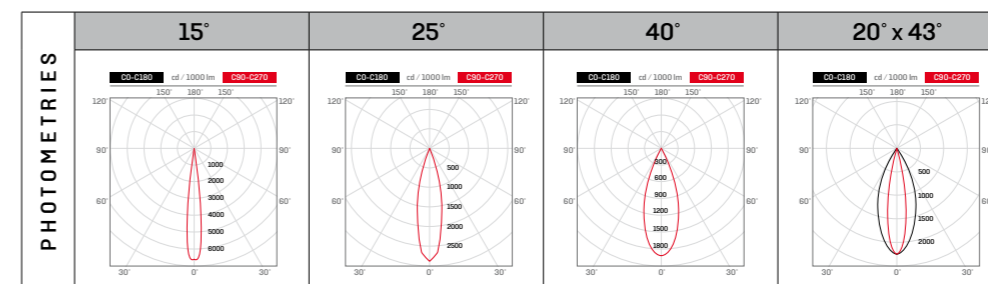
Inground **walk-over** luminaire, suitable for **outdoor** use (IP66/IP68), with operating temperature range: **-20°C / +50°C**. To offer the maximum application versatility the body can be made of **aluminium** or **steel**; the upper round frame in aluminium, steel or brass. The light source consists of a single chip **1W** power LED supplied at 24V constant voltage. The luminous flux up to **53 lm** (3000K) makes it **ideal** for marking out **walkways** or for obtaining a starry effect on the ceiling, thanks to different beam angles: circular 15°, 25° and 40° and an **elliptical** 20°x 43°. The source is recessed for greater visual comfort. Different **colour temperatures** are available: 2700K, 3000K, 4000K with CRI > 90. Oceano 1.0 is equipped with the **IdroSkud®** system for the protection of electronic components against voltage spikes, polarity reversal and water infiltration. Installation accessories are provided (draining and waterproof outer case and plasterboard spring). The power cable length is 0.4m; on request: 1.5m, 5m, 10m, 15m.

body materials	- anticorodal 6082 anodized 20µ aluminium - 316L stainless steel
frame materials	- anticorodal 6082 anodized 20µ aluminium - 316L stainless steel - brass
screen	tempered extra-clear glass - 4 mm
installation	with outer case / plasterboard spring
power cable	FR5FOEM7 -AD8 2X0.5 mm ²
electrical connection	parallel
weight	45 g (aluminium) 97 g (steel)
protection system	IdroSkud® System - polarity reversal protection - voltage spikes protection - water infiltration protection
made in	ITALY



ACCESSORIES

draining outer case	slim draining outer case	waterproof outer case	plasterboard spring
CEAZZ000	CEAZZ001	CEAZZ002	CEAZZ014
Ø 24,3 x Ø 74,2 x 75	Ø 25 x 66	Ø 25 x 87	
power supply for recommended models see page 40 of the catalogue			



OCEANO 1.0

PRODUCT CODE CONFIGURATION



family

CEA	MIZAR OCEANO
-----	--------------

model

00	OCEANO 1.0
----	------------

CCT

C	2700 K	▼
D	3000 K	▼
F	4000 K	▼

CRI

C	> 90
---	------

beam angles

S	15°	▼
M	25°	▼
L	40°	▼
E	20°x43° ell.	▼

optionals

O	no one
---	--------

frame finishing

00	aluminium body aluminium frame
01	steel body steel frame
02	aluminium body brass frame
03	steel body brass frame

cable length

A	0,4 m
C	1,5 m
H	5 m
M	10 m
P	15 m

variant

00	standard
----	----------

For correct code composition see instructions on page 151 of the catalogue or go to www.mizar.it



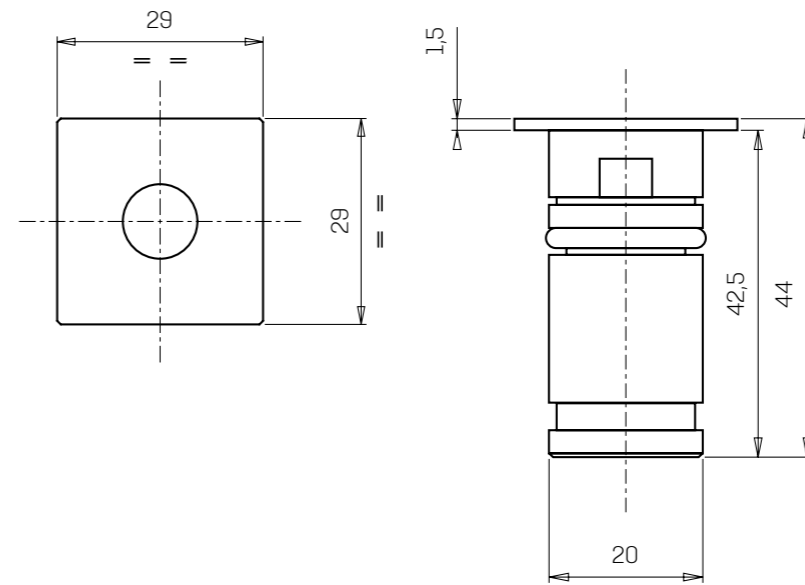
OCEANO 1.1

Inground **walk-over** luminaire, suitable for **outdoor** use (IP66/IP68), with operating temperature range: **-20°C / +50°C**.
To offer the maximum application versatility the body can be made of **aluminium** or **steel**; the upper square frame in aluminium, steel or brass.
The light source consists of a single chip **1W** power LED supplied at 24V constant voltage.
The luminous flux up to **53 lm** (3000K) makes it **ideal** for marking out **walkways** or for obtaining a starry effect on the ceiling, thanks to different beam angles: circular 15°, 25° and 40° and an **elliptical** 20°x43°.
The source is recessed for greater visual comfort.
Different **colour temperatures** are available: 2700K, 3000K, 4000K with CRI > 90.
Oceano 1.1 is equipped with the **IdroSkud®** system for the protection of electronic components against voltage spikes, polarity reversal and water infiltration.
Installation accessories are provided (draining and waterproof outer case and plasterboard spring).
The power cable length is 0.4m;
on request: 1.5m, 5m, 10m, 15m.



power	1W - single chip Power Led
power supply	24V constant voltage
insulation class	III class
IP rating	IP66 / IP68
IK rating	IK 09
operating temperature	-20°C / +50°C
size	29 x 29 x 44 mm
light source flux	172 lm (3000K)
effective flux	up to 53 lm (3000K)
beam angles	circular 15° - 25° - 40°; elliptical 20° x 43°
CCT	2700K - 3000K - 4000K
CRI	> 90
BIN selection	2 Step MacAdam
lifetime	L80 B10 50.000 h

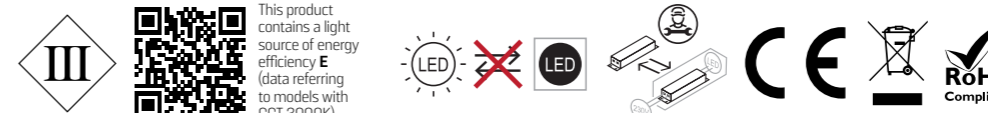
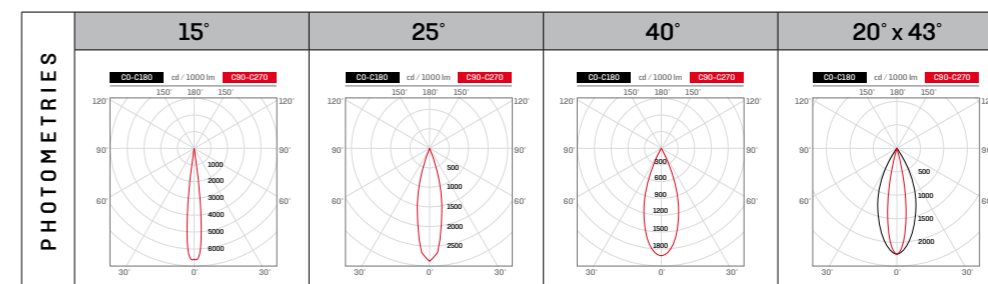
body materials	- anticorodal 6082 anodized 20µ aluminium - 316L stainless steel
frame materials	- anticorodal 6082 anodized 20µ aluminium - 316L stainless steel - brass
screen	tempered extra-clear glass - 4 mm
installation	with outer case / plasterboard spring
power cable	FR5FOEM7 -AD8 2X0.5 mm ²
electrical connection	parallel
weight	46 g (aluminium) 99 g (steel)
protection system	IdroSkud® System - polarity reversal protection - voltage spikes protection - water infiltration protection
made in	ITALY



ACCESSORIES

draining outer case	slim draining outer case	waterproof outer case	plasterboard spring
CEAZZ000	CEAZZ001	CEAZZ002	CEAZZ014
Ø 24,3 x Ø 74,2 x 75	Ø 25 x 66	Ø 25 x 87	

power supply
for recommended models see page 40 of the catalogue



OCEANO 1.1

PRODUCT CODE CONFIGURATION



family

CEA	MIZAR OCEANO
-----	--------------

model

01	OCEANO 1.1
----	------------

CCT

C	2700 K	▼
D	3000 K	▼
F	4000 K	▼

CRI

C	> 90
---	------

beam angles

S	15°	▼
M	25°	▼
L	40°	▼
E	20°x43° ell.	▼

optionals

O	no one
---	--------

frame finishing

00	aluminium body aluminium frame
01	steel body steel frame
02	aluminium body brass frame
03	steel body brass frame

cable length

A	0,4 m
C	1,5 m
H	5 m
M	10 m
P	15 m

variant

00	standard
----	----------

For correct code composition see instructions on page 151 of the catalogue or go to www.mizar.it



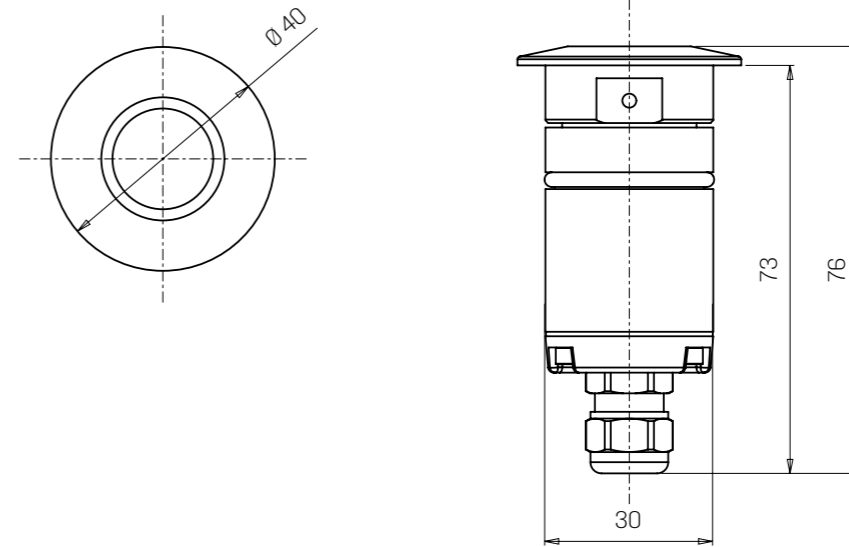
OCEANO 2.0



power	2W - single chip Power Led
power supply	24V constant voltage
insulation class	III class
IP rating	IP66 / IP68
IK rating	IK 07
operating temperature	-20°C / +50°C
size	Ø 40 x 76 mm
light source flux	195 lm (3000K)
effective flux	up to 120 lm (3000K)
beam angles	circular 10° - 36° - 60°; elliptical 10° x 53°
CCT	2700K - 3000K - 4000K
CRI	> 90
BIN selection	2 Step MacAdam
lifetime	L80 B10 50.000 h

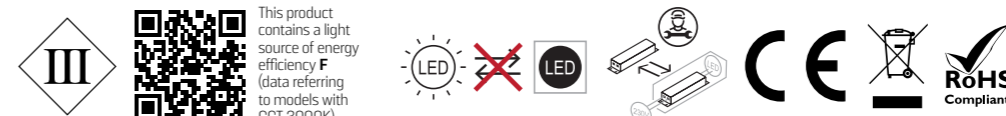
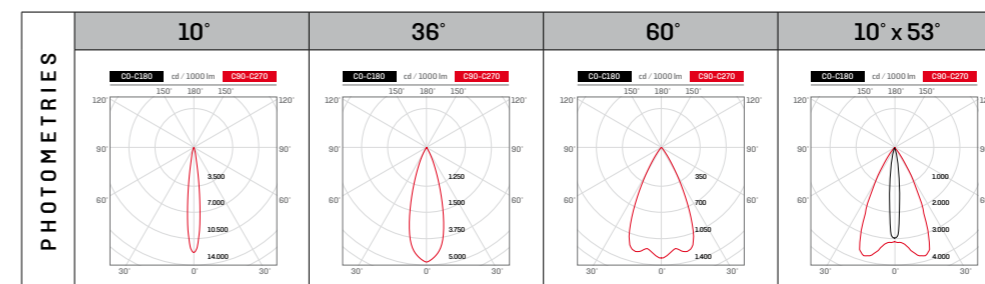
Inground **walk-over** luminaire, suitable for **outdoor** use (IP66/IP68), with operating temperature range: **-20°C / +50°C**. To offer the maximum application versatility the body can be made of **aluminium** or **steel**; the upper round frame in aluminium, steel or brass. The light source consists of a single chip **2W** power LED supplied at 24V constant voltage. The luminous flux up to **120 lm** (3000K) makes it **ideal** for marking out **walkways** or for obtaining a starry effect on the ceiling, thanks to different beam angles: circular 10°, 36° and 60° and an **elliptical** 10°x53°. The source is recessed for greater visual comfort. The **colour temperature** is available variants: 2700K, 3000K, 4000K with CRI > 90. Oceano 2.0 is equipped with the **IdroSkud®** system for the protection of electronic components against voltage spikes, polarity reversal and water infiltration. There are optionals for anti-glare (honeycomb) and installation accessories are provided (draining and waterproof outer case and plasterboard spring). The power cable length is 0.4m; on request: 1.5m, 5m, 10m, 15m.

body materials	- anticorodal 6082 anodized 20µ aluminium - 316L stainless steel
frame materials	- anticorodal 6082 anodized 20µ aluminium - 316L stainless steel - brass
screen	tempered extra-clear glass - 6 mm
installation	with outer case / plasterboard spring
power cable	H05RN - F 2X0.75 mm ²
electrical connection	parallel
weight	101 g (aluminium) 212 g (steel)
protection system	IdroSkud® System - polarity reversal protection - voltage spikes protection - water infiltration protection
made in	ITALY



OPTIONALS	honeycomb	power supply m 0.4, 1.5, 5, 10, 15

ACCESSORIES	draining outer case CEAZZ003	slim draining outer case CEAZZ004	waterproof outer case CEAZZ005	plasterboard spring CEAZZ015
	Ø 35 x Ø 85 x 102	Ø 35 x 100	Ø 36 x Ø 70 x 93	
power supply for recommended models see page 40 of the catalogue				



OCEANO 2.0

PRODUCT CODE CONFIGURATION

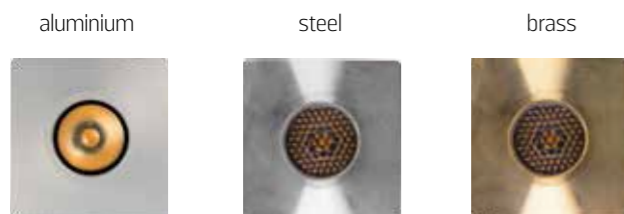


family	
CEA	MIZAR OCEANO
model	
02	OCEANO 2.0
CCT	
C	2700 K
D	3000 K
F	4000 K
CRI	
C	> 90
beam angles	
S	10°
M	36°
L	60°
E	10°x53° ell.
optionals	
O	no one
I	honeycomb
frame finishing	
00	aluminium body aluminium frame
01	steel body steel frame
02	aluminium body brass frame
03	steel body brass frame
cable length	
A	0,4 m
C	1,5 m
H	5 m
M	10 m
P	15 m
variant	
00	standard

For correct code composition see instructions on page 151 of the catalogue or go to www.mizar.it



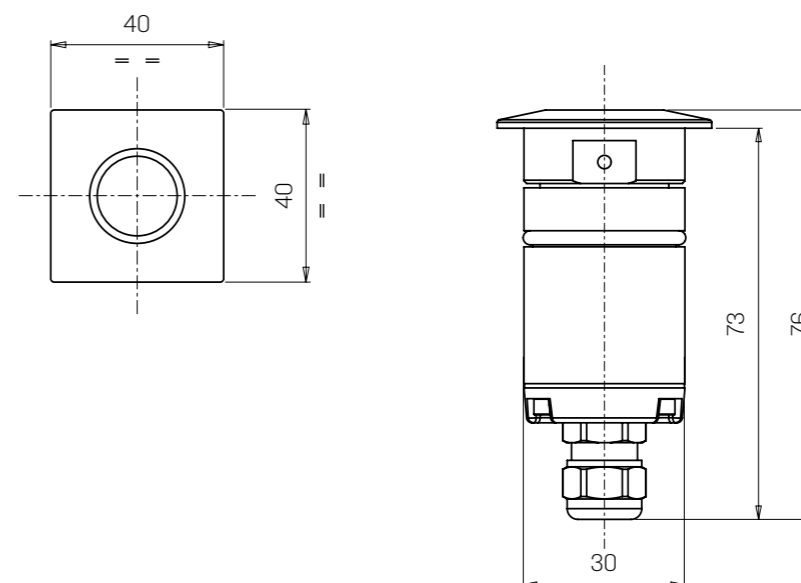
OCEANO 2.1



power	2W - single chip Power Led
power supply	24V constant voltage
insulation class	III class
IP rating	IP66 / IP68
IK rating	IK 07
operating temperature	-20°C / +50°C
size	40 x 40 x 76 mm
light source flux	195 lm (3000K)
effective flux	up to 120 lm (3000K)
beam angles	circular 10° - 36° - 60°; elliptical 10° x 53°
CCT	2700K - 3000K - 4000K
CRI	> 90
BIN selection	2 Step MacAdam
lifetime	L80 B10 50.000 h

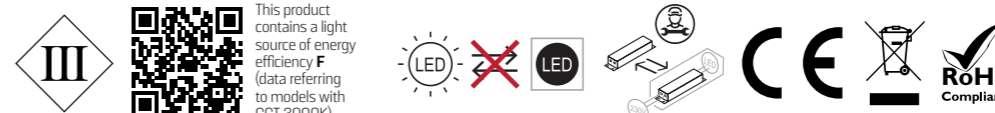
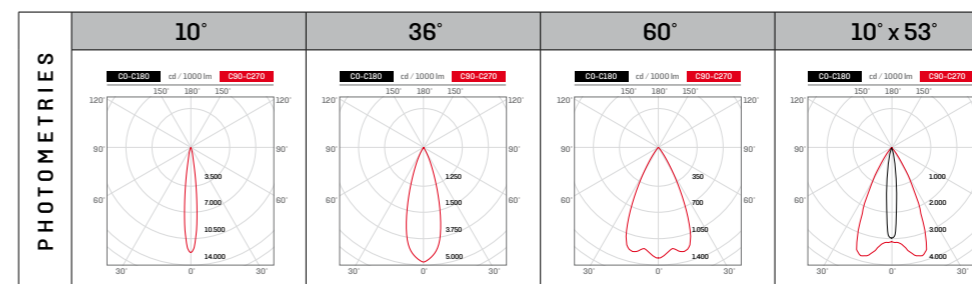
Inground **walk-over** luminaire, suitable for **outdoor** use (IP66/IP68), with operating temperature range: **-20°C / +50°C**. To offer the maximum application versatility the body can be made of **aluminium** or **steel**; the upper square frame in aluminium, steel or brass. The light source consists of a single chip **2W** power LED supplied at 24V constant voltage. The luminous flux up to **120 lm** (3000K) makes it **ideal** for marking out **walkways** or for obtaining a starry effect on the ceiling, thanks to different beam angles: circular 10°, 36° and 60° and an **elliptical** 10°x53°. The source is recessed for greater visual comfort. Different **colour temperatures** are available: 2700K, 3000K, 4000K with CRI > 90. Oceano 2.1 is equipped with the **IdroSkud®** system for the protection of electronic components against voltage spikes, polarity reversal and water infiltration. There are optionals for anti-glare (honeycomb) and installation accessories are provided (draining and waterproof outer case and plasterboard spring). The power cable length is 0.4m; on request: 1.5m, 5m, 10m, 15m.

body materials	- anticorodal 6082 anodized 20µ aluminium - 316L stainless steel
frame materials	- anticorodal 6082 anodized 20µ aluminium - 316L stainless steel - brass
screen	tempered extra-clear glass - 6 mm
installation	with outer case / plasterboard spring
power cable	H05RN - F 2X0.75 mm²
electrical connection	parallel
weight	102 g (aluminium) 222 g (steel)
protection system	IdroSkud® System _ polarity reversal protection _ voltage spikes protection _ water infiltration protection
made in	ITALY



OPTIONALS	honeycomb	cable m 0.4, 1.5, 5, 10, 15

ACCESSORIES	draining outer case CEAZZ003	slim draining outer case CEAZZ004	waterproof outer case CEAZZ005	plasterboard spring CEAZZ015
	Ø 35 x Ø 85 x 102	Ø 35 x 100	Ø 36 x Ø 70 x 93	
power supply for recommended models see page 40 of the catalogue				



OCEANO 2.1

PRODUCT CODE CONFIGURATION



family	MIZAR OCEANO	
CEA	MIZAR OCEANO	
model	OCEANO 2.1	
CCT	2700 K	▼
C	3000 K	▼
D	4000 K	▼
F		▼
CRI	> 90	
C	> 90	
beam angles	10°	
S	10°	
M	36°	
L	60°	
E	10°x53° ell.	
optionals	no one	
O	no one	
I	honeycomb	
frame finishing	aluminium body aluminium frame	
00	aluminium body aluminium frame	
01	steel body steel frame	
02	aluminium body brass frame	
03	steel body brass frame	
cable length	0.4 m	
A	0.4 m	
C	1.5 m	
H	5 m	
M	10 m	
P	15 m	
variant	standard	
00	standard	

For correct code composition see instructions on page 151 of the catalogue or go to www.mizar.it



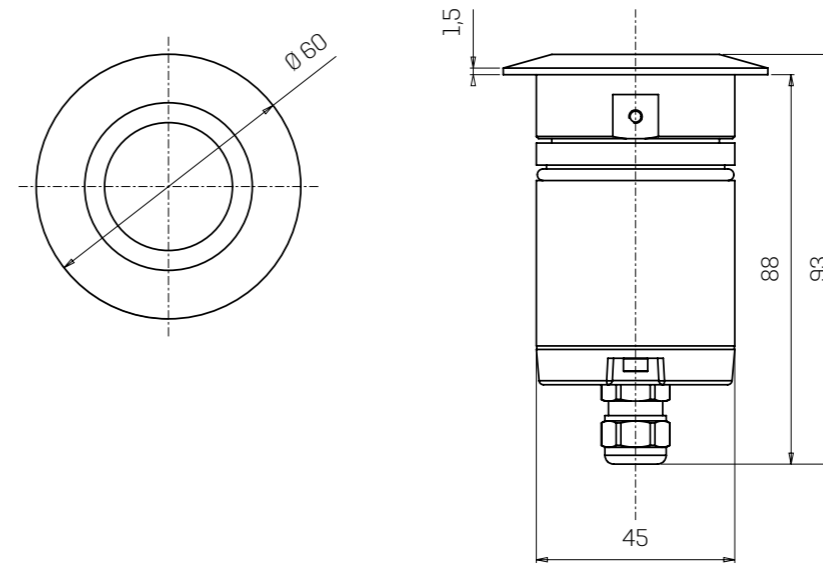
OCEANO 3.0



Inground **walk-over** luminaire, suitable for outdoor use and **underwater** up to 10m (IP66/IP68), with operating temperature range: **-20°C / +50°C**. To offer the maximum application versatility the body can be made of **aluminium** or **steel**; the upper round frame in aluminium, steel or brass. The light source consists of a single chip **3W** power LED supplied at 24V constant voltage. The luminous flux up to **153 lm** (3000K) makes it **ideal** for marking out **walkways** or for illuminate architectural details, thanks to different beam angles: circular 10°, 25° and 40° and an **elliptical** 10°x 45°. The source is recessed for greater visual comfort. Different **colour temperatures** are available: 2700K, 3000K, 4000K with CRI > 90. Oceano 3.0 is equipped with the **IdroSkud®** system for the protection of electronic components against voltage spikes, polarity reversal and water infiltration. There are optionals for anti-glare (honeycomb and louvre) and installation accessories are provided (draining and waterproof outer case). The power cable length is 0.4m; on request: 1.5m, 5m, 10m, 15m.

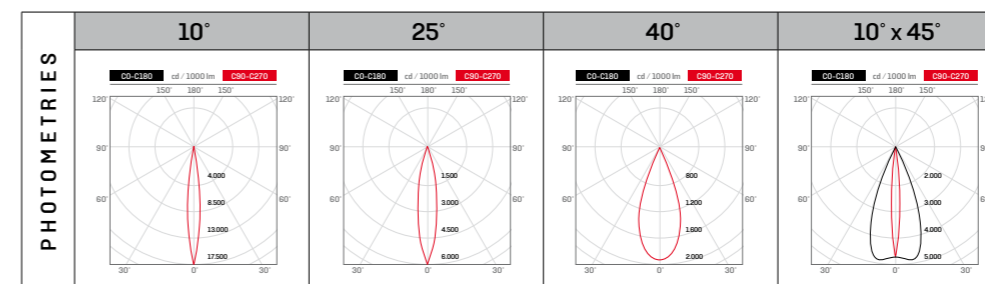
power	2W - single chip Power Led
power supply	24V constant voltage
insulation class	III class
IP rating	IP66 / IP68 10 m
IK rating	IK 10
operating temperature	-20°C / +50°C
size	Ø 60 x 93 mm
light source flux	227 lm (3000K)
effective flux	up to 153 lm (3000K)
beam angles	circular 10° - 25° - 40°; elliptical 10° x 45°
CCT	2700K - 3000K - 4000K
CRI	> 90
BIN selection	2 Step MacAdam
lifetime	L80 B10 50.000 h

body materials	- anticorodal 6082 anodized 20µ aluminium - 316L stainless steel - brass
frame materials	- anticorodal 6082 anodized 20µ aluminium - 316L stainless steel
screen	tempered extra-clear glass - 8 mm
installation	with outer case
power cable	H05RN - F 2X0.75 mm²
electrical connection	parallel
weight	270 g (aluminium) 622 g (steel)
protection system	IdroSkud® System - polarity reversal protection - voltage spikes protection - water infiltration protection
made in	ITALY



OPTIONALS	honeycomb	louvre	cable m 0.4, 1.5, 5, 10, 15

ACCESSORIES	draining outer case CEAZZ006	slim draining outer case CEAZZ007	waterproof outer case CEAZZ008
	Ø 49.5 x Ø 111 x 112	Ø 54 x Ø 95 x 115	Ø 54 x Ø 95 x 139
power supply for recommended models see page 40 of the catalogue			



OCEANO 3.0

PRODUCT CODE CONFIGURATION



family	
CEA	MIZAR OCEANO
model	
04	OCEANO 3.0
CCT	
C	2700 K
D	3000 K
F	4000 K
CRI	
C	> 90
beam angles	
S	10°
M	25°
L	40°
E	10°x45° ell.
optionals	
0	no one
1	honeycomb
2	louvre
frame finishing	
00	aluminium body aluminium frame
01	steel body steel frame
02	aluminium body brass frame
03	steel body brass frame
cable length	
A	0,4 m
C	1,5 m
H	5 m
M	10 m
P	15 m
variant	
00	standard

For correct code composition see instructions on page 151 of the catalogue or go to www.mizar.it



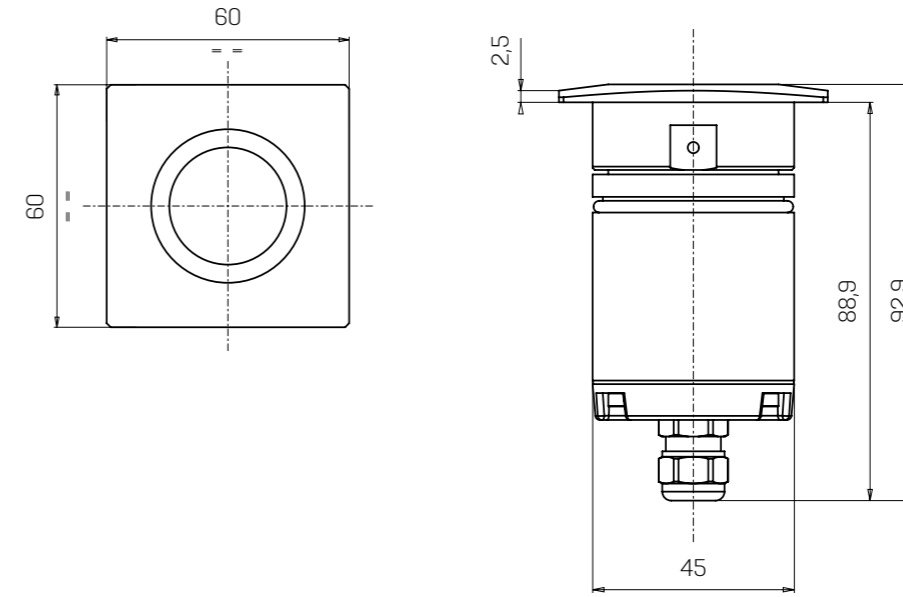
OCEANO 3.1



Inground **walk-over** luminaire, suitable for outdoor use and **underwater** up to 10m (IP66/IP68), with operating temperature range: **-20°C / +50°C**. To offer the maximum application versatility the body can be made of **aluminium** or **steel**; the upper square frame in aluminium, steel or brass. The light source consists of a single chip **3W** power LED supplied at 24V constant voltage. The luminous flux up to **153 lm** (3000K) makes it **ideal** for marking out **walkways** or for illuminate architectural details, thanks to different beam angles: circular 10°, 25° and 40° and an **elliptical** 10°x45°. The source is recessed for greater visual comfort. Different **colour temperatures** are available: 2700K, 3000K, 4000K with CRI > 90. Oceano 3.1 is equipped with the **IdroSkud®** system for the protection of electronic components against voltage spikes, polarity reversal and water infiltration. There are optionals for anti-glare (honeycomb and louvre) and installation accessories are provided (draining and waterproof outer case). The power cable length is 0.4m; on request: 1.5m, 5m, 10m, 15m.

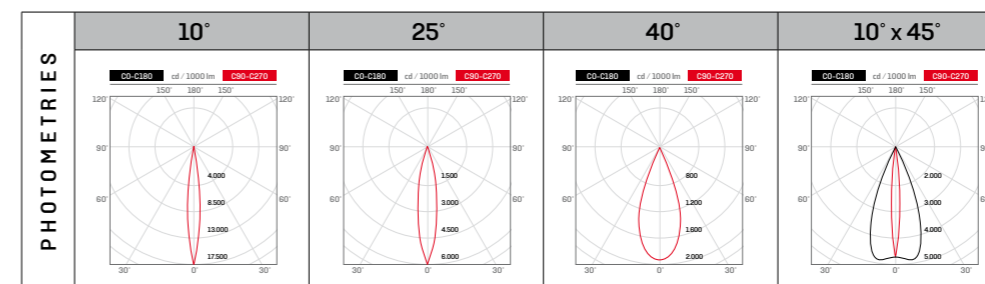
power	3W - single chip Power Led
power supply	24V constant voltage
insulation class	III class
IP rating	IP66 / IP68 10 m
IK rating	IK 10
operating temperature	-20°C / +50°C
size	60 x 60 x 93 mm
light source flux	227 lm (3000K)
effective flux	up to 153 lm (3000K)
beam angles	circular 10° - 25° - 40°; elliptical 10° x 45°
CCT	2700K - 3000K - 4000K
CRI	> 90
BIN selection	2 Step MacAdam
lifetime	L80 B10 50.000 h

body materials	- anticorodal 6082 anodized 20µ aluminium - 316L stainless steel
frame materials	- anticorodal 6082 anodized 20µ aluminium - 316L stainless steel - brass
screen	tempered extra-clear glass - 8 mm
installation	with outer case
power cable	H05RN - F 2X0.75 mm²
electrical connection	parallel
weight	293 g (aluminium) 633 g (steel)
protection system	IdroSkud® System - polarity reversal protection - voltage spikes protection - water infiltration protection
made in	ITALY



OPTIONALS	honeycomb	louvre	cabl m 0.4, 1.5, 5, 10, 15

ACCESSORIES	draining outer case	slim draining outer case	waterproof outer case
	CEAZZ006	CEAZZ007	CEAZZ008
	Ø 49.5 x Ø 111 x 112	Ø 54 x Ø 95 x 115	Ø 54 x Ø 95 x 139
power supply for recommended models see page 40 of the catalogue			



OCEANO 3.1

PRODUCT CODE CONFIGURATION

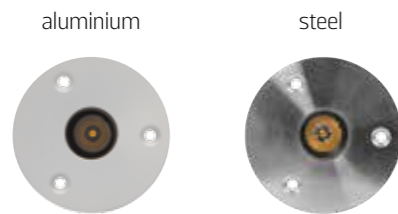


family	MIZAR OCEANO	
CEA	MIZAR OCEANO	
model	OCEANO 3.1	
CCT	2700 K	
C	2700 K	▼
D	3000 K	▼
F	4000 K	▼
CRI	> 90	
C	> 90	
beam angles	10°	
S	10°	▼
M	25°	▼
L	40°	▼
E	10°x45° ell.	▼
optionals	no one	
0	no one	
1	honeycomb	
2	louvre	
frame finishing	aluminium body aluminium frame	
00	aluminium body aluminium frame	
01	steel body steel frame	
02	aluminium body brass frame	
03	steel body brass frame	
cabl length	0,4 m	
A	0,4 m	
C	1,5 m	
H	5 m	
M	10 m	
P	15 m	
variant	standard	
00	standard	

For correct code composition see instructions on page 151 of the catalogue or go to www.mizar.it





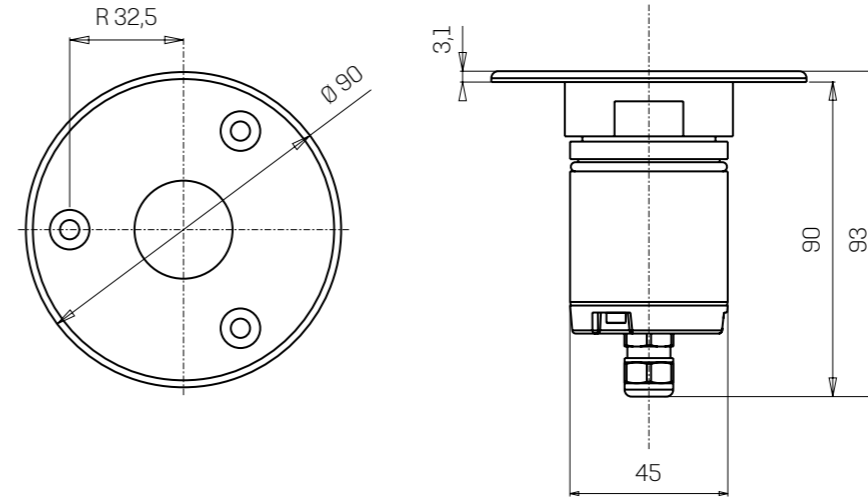
OCEANO 3.2



Inground **drive-over** luminaire, suitable for **outdoor** use and **underwater** up to 10m (IP66/IP68), with operating temperature range: **-20°C / +50°C**. To offer the maximum application versatility the body can be made of **aluminium** or **steel**; the upper round frame in aluminium, steel or brass. The light source consists of a single chip **3W** power LED supplied at 24V constant voltage. The luminous flux up to **153 lm** (3000K) makes it **ideal** for marking out **walkways** and driveways or for illuminate architectural details, thanks to different beam angles: circular 10°, 25° and 40° and an **elliptical** 10°x 45°. The source is recessed for greater visual comfort. Different **colour temperatures** are available: 2700K, 3000K, 4000K with CRI > 90. Oceano 3.2 is equipped with the **IdroSkud®** system for the protection of electronic components against voltage spikes, polarity reversal and water infiltration. There are optionals for anti-glare (honeycomb and louvre) and installation accessories are provided (drive-over outer case). The power cable length is 0.4m; on request: 1.5m, 5m, 10m, 15m.

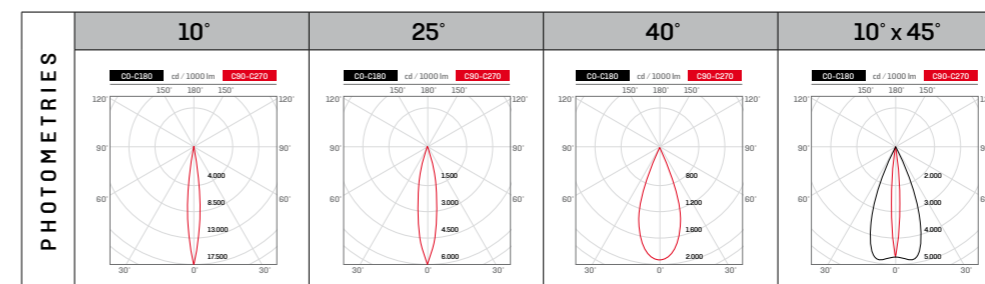
power	3W - single chip Power Led
power supply	24V constant voltage
insulation class	III class
IP rating	IP66 / IP68 10 m
IK rating	IK10
operating temperature	-20°C / +50°C
size	Ø 90 x 93 mm
light source flux	227 lm (3000K)
effective flux	up to 153 lm (3000K)
beam angles	circular 10° - 25° - 40°; elliptical 10° x 45°
CCT	2700K - 3000K - 4000K
CRI	> 90
BIN selection	2 Step MacAdam
lifetime	L80 B10 50.000 h

body materials	- anticorodal 6082 anodized 20µ aluminium - 316L stainless steel
frame materials	- anticorodal 6082 anodized 20µ aluminium - 316L stainless steel
screen	tempered extra-clear glass - 8 mm
installation	with outer case
power cable	H05RN - F 2X0.75 mm²
electrical connection	parallel
weight	308 g (aluminium) 748 g (steel)
protection system	IdroSkud® System - polarity reversal protection - voltage spikes protection - water infiltration protection
made in	ITALY  












OPTIONALS	honeycomb	louvre	cabl m 0.4, 1.5, 5, 10, 15
			

ACCESSORIES	drive-over outer case CEAZZ009
	
	Ø 80 x Ø 150 x 166.5
power supply for recommended models see page 40 of the catalogue	

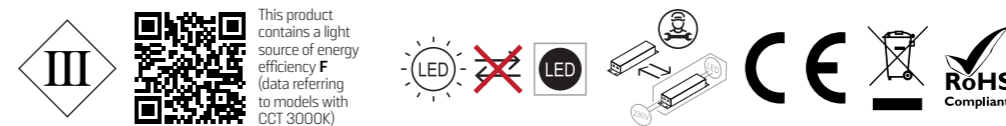


PRODUCT CODE CONFIGURATION



family	MIZAR OCEANO
CEA	MIZAR OCEANO
model	OCEANO 3.2
06	OCEANO 3.2
CCT	2700 K  3000 K  4000 K 
CRI	> 90
beam angles	10°  25°  40°  10°x45° ell. 
optionals	no one honeycomb  louvre 
frame finishing	aluminium body aluminium frame steel body steel frame
cable length	0,4 m 1,5 m 5 m 10 m 15 m
variant	standard
00	standard

For correct code composition see instructions on page 151 of the catalogue or go to www.mizar.it



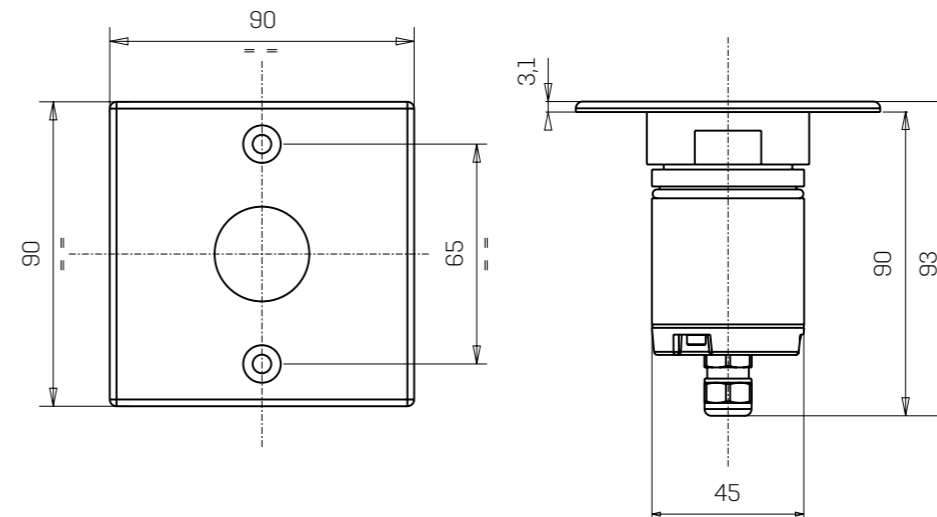
OCEANO 3.3



Inground **drive-over** luminaire, suitable for **outdoor** use and **underwater** up to 10m (IP66/IP68), with operating temperature range: **-20°C / +50°C**. To offer the maximum application versatility the body can be made of **aluminium** or **steel**; the upper square frame in aluminium, steel or brass. The light source consists of a single chip **3W** power LED supplied at 24V constant voltage. The luminous flux up to **153 lm** (3000K) makes it **ideal** for marking out **walkways** and driveways or for illuminate architectural details, thanks to different beam angles: circular 10°, 25° and 40° and an **elliptical** 10°x 45°. The source is recessed for greater visual comfort. Different **colour temperatures** are available: 2700K, 3000K, 4000K with CRI > 90. Oceano 3.3 is equipped with the **IdroSkud®** system for the protection of electronic components against voltage spikes, polarity reversal and water infiltration. There are optionals for anti-glare (honeycomb and louvre) and installation accessories are provided (drive-over outer case). The power cable length is 0.4m; on request: 1.5m, 5m, 10m, 15m.

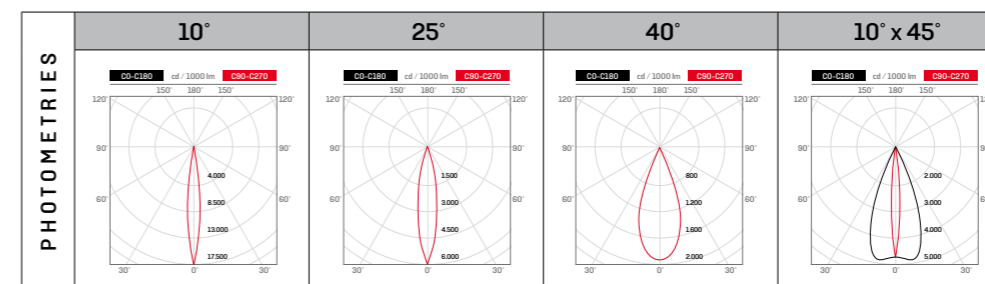
power	3W - single chip Power Led
power supply	24V constant voltage
insulation class	III class
IP rating	IP66 / IP68 10 m
IK rating	IK10
operating temperature	-20°C / +50°C
size	90 x 90 x 93 mm
light source flux	227 lm (3000K)
effective flux	up to 153 lm (3000K)
beam angles	circular 10° - 25° - 40°; elliptical 10° x 45°
CCT	2700K - 3000K - 4000K
CRI	> 90
BIN selection	2 Step MacAdam
lifetime	L80 B10 50.000 h

body materials	- anticorodal 6082 anodized 20µ aluminium - 316L stainless steel
frame materials	- anticorodal 6082 anodized 20µ aluminium - 316L stainless steel
screen	tempered extra-clear glass - 8 mm
installation	with outer case
power cable	H05RN - F 2X0.75 mm²
electrical connection	parallel
weight	311 g (aluminium) 757 g (steel)
protection system	IdroSkud® System - polarity reversal protection - voltage spikes protection - water infiltration protection
made in	ITALY



OPTIONALS	honeycomb	louvre	cabl m 0.4, 1.5, 5, 10, 15

ACCESSORIES	drive-over outer case CEAZZ009
	Ø 80 x Ø 150 x 166.5
power supply for recommended models see page 40 of the catalogue	



PRODUCT CODE CONFIGURATION



family	MIZAR OCEANO
CEA	MIZAR OCEANO
model	OCEANO 3.3
07	OCEANO 3.3
CCT	2700 K 3000 K 4000 K
CRI	> 90
beam angles	10° 25° 40° 10°x45° ell.
optionals	no one honeycomb louvre
frame finishing	aluminium body aluminium frame steel body steel frame
cable length	0,4 m 1,5 m 5 m 10 m 15 m
variant	standard

For correct code composition see instructions on page 151 of the catalogue or go to www.mizar.it



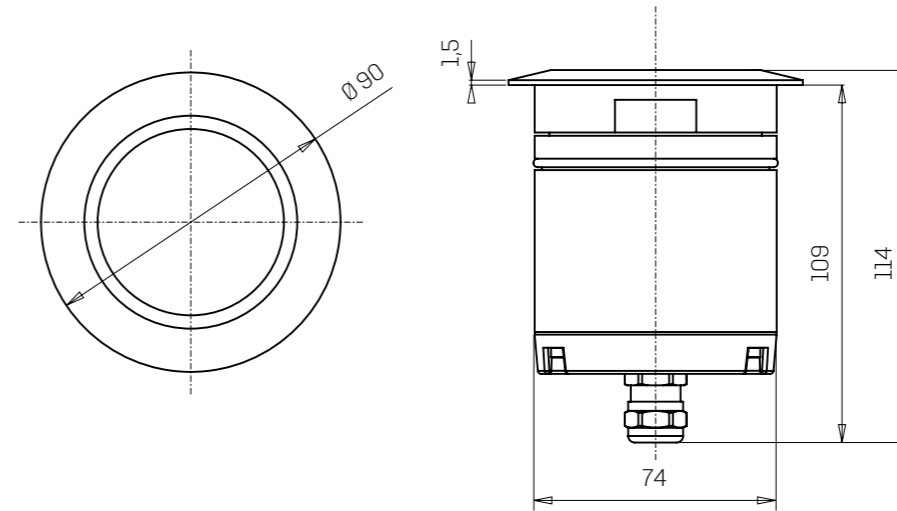


OCEANO 4.0

Inground **walk-over** luminaire, suitable for outdoor use and **underwater** up to 10m (IP66/IP68), with operating temperature range: **-20°C / +50°C**. To offer the maximum application versatility the body can be made of **aluminium** or **steel**; the upper round frame in aluminium, steel or brass. The light source consists of a single chip **7W** power LED supplied at 24V constant voltage. The luminous flux up to **305 lm** (3000K) makes it **ideal** for marking out **walkways** or for illuminate architectural details, thanks to different beam angles: circular 5°, 20° and 60° and an **elliptical** 15°x 60°. The source is recessed for greater visual comfort. Different **colour temperatures** are available: 2700K, 3000K, 4000K with CRI > 90. Oceano 4.0 is equipped with the **IdroSkud®** system for the protection of electronic components against voltage spikes, polarity reversal and water infiltration. There are optionals for anti-glare (honeycomb and louvre) and installation accessories are provided (draining and waterproof outer case). The power cable length is 0.4m; on request: 1.5m, 5m, 10m, 15m.

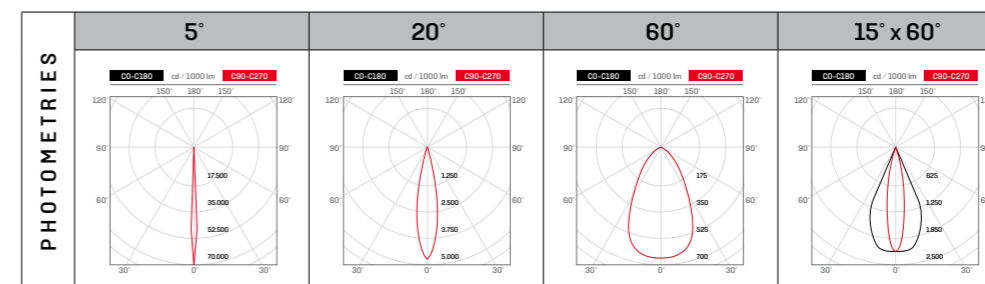
power	7W - single chip Power Led
power supply	24V constant voltage
insulation class	III class
IP rating	IP66 / IP68 10 m
IK rating	IK 09
operating temperature	-20°C / +50°C
size	Ø 90 x 114 mm
light source flux	410 lm (3000K)
effective flux	up to 305 lm (3000K)
beam angles	circular 5° - 20° - 60°; elliptical 15° x 60°
CCT	2700K - 3000K - 4000K
CRI	> 90
BIN selection	2 Step MacAdam
lifetime	L80 B10 50.000 h

body materials	- anticorodal 6082 anodized 20µ aluminium - 316L stainless steel
frame materials	- anticorodal 6082 anodized 20µ aluminium - 316L stainless steel - brass
screen	tempered extra-clear glass - 8 mm
installation	with outer case
power cable	H05RN - F 2X0.75 mm²
electrical connection	parallel
weight	640 g (aluminium) 1510 g (steel)
protection system	IdroSkud® System - polarity reversal protection - voltage spikes protection - water infiltration protection
made in	ITALY



OPTIONALS	honeycomb	louvre	cabl m 0.4, 1.5, 5, 10, 15

ACCESSORIES	draining outer case	slim draining outer case	waterproof outer case
	CEAZZ010	CEAZZ011	CEAZZ012
	Ø 79 x Ø 141 x 139	Ø 85 x Ø 110 x 145	Ø 85 x Ø 1110 x 169
power supply for recommended models see page 40 of the catalogue			

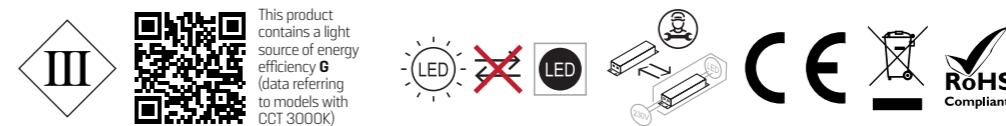


PRODUCT CODE CONFIGURATION



family	MIZAR OCEANO	
CEA	MIZAR OCEANO	
model	OCEANO 4.0	
08	OCEANO 4.0	
CCT		
C	2700 K	▼
D	3000 K	▼
F	4000 K	▼
CRI		
C	> 90	
beam angles		
S	5°	▼
M	20°	▼
L	60°	▼
E	15°x60° ell.	▼
optionals		
0	no one	
1	honeycomb	
2	louvre	
frame finishing		
00	aluminium body aluminium frame	
01	steel body steel frame	
02	aluminium body brass frame	
03	steel body brass frame	
cable length		
A	0,4 m	
C	1,5 m	
H	5 m	
M	10 m	
P	15 m	
variant		
00	standard	

For correct code composition see instructions on page 151 of the catalogue or go to www.mizar.it



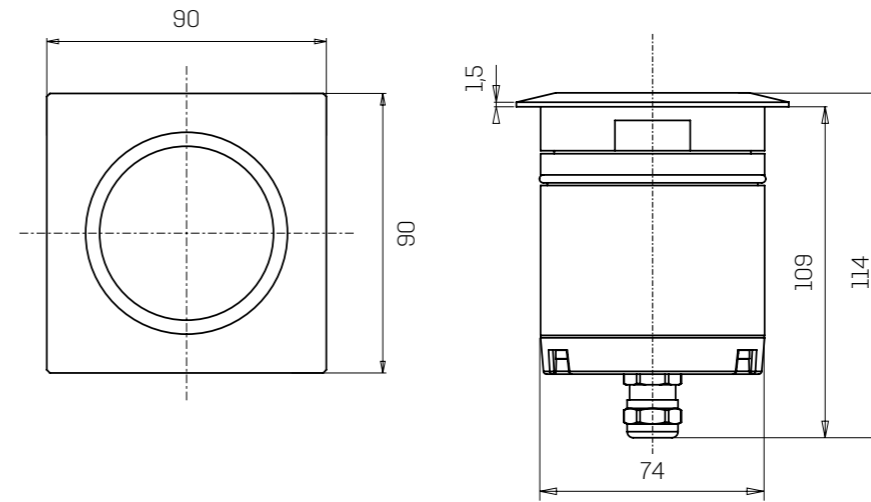
OCEANO 4.1



power	7W - single chip Power Led
power supply	24V constant voltage
insulation class	III class
IP rating	IP66 / IP68 10 m
IK rating	IK 09
operating temperature	-20°C / +50°C
size	90 x 90 x 114 mm
light source flux	410 lm (3000K)
effective flux	up to 305 lm (3000K)
beam angles	circular 5° - 20° - 60°; elliptical 15° x 60°
CCT	2700K - 3000K - 4000K
CRI	> 90
BIN selection	2 Step MacAdam
lifetime	L80 B10 50.000 h

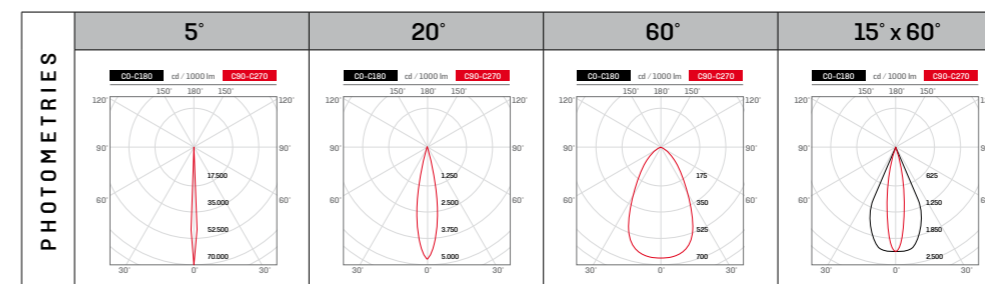
Inground **walk-over** luminaire, suitable for **outdoor** use and **underwater** up to 10m (IP66/IP68), with operating temperature range: **-20°C / +50°C**. To offer the maximum application versatility the body can be made of **aluminium** or **steel**; the upper square frame in aluminium, steel or brass. The light source consists of a single chip **7W** power LED supplied at 24V constant voltage. The luminous flux up to **305 lm** (3000K) makes it **ideal** for marking out **walkways** or for illuminate architectural details, thanks to different beam angles: circular 5°, 20° and 60° and an **elliptical** 15°x 60°. The source is recessed for greater visual comfort. Different **colour temperatures** are available: 2700K, 3000K, 4000K with CRI > 90. Oceano 4.1 is equipped with the **IdroSkud®** system for the protection of electronic components against voltage spikes, polarity reversal and water infiltration. There are optionals for anti-glare (honeycomb and louvre) and installation accessories are provided (draining and waterproof outer case). The power cable length is 0.4m; on request: 1.5m, 5m, 10m, 15m.

body materials	- anticorodal 6082 anodized 20µ aluminium - 316L stainless steel
frame materials	- anticorodal 6082 anodized 20µ aluminium - 316L stainless steel - brass
screen	tempered extra-clear glass - 8 mm
installation	with outer case
power cable	H05RN - F 2X0.75 mm²
electrical connection	parallel
weight	645 g (aluminium) 1522 g (steel)
protection system	IdroSkud® System - polarity reversal protection - voltage spikes protection - water infiltration protection
made in	ITALY



OPTIONALS	honeycomb	louvre	cabl m 0.4, 1.5, 5, 10, 15

ACCESSORIES	draining outer case	slim draining outer case	waterproof outer case
	CEAZZ010	CEAZZ011	CEAZZ012
	Ø 79 x Ø 141 x 139	Ø 85 x Ø 110 x 145	Ø 85 x Ø 1110 x 169
power supply for recommended models see page 40 of the catalogue			



OCEANO 4.1

PRODUCT CODE CONFIGURATION



family	MIZAR OCEANO	
CEA	MIZAR OCEANO	
model	OCEANO 4.1	
CCT	2700 K	
C	2700 K	▼
D	3000 K	▼
F	4000 K	▼
CRI	> 90	
C	> 90	
beam angles	5°	
S	5°	▼
M	20°	▼
L	60°	▼
E	15°x60° ell.	▼
optionals	no one	
0	no one	
1	honeycomb	
2	louvre	
frame finishing	aluminium body aluminium frame	
00	aluminium body aluminium frame	
01	steel body steel frame	
02	aluminium body brass frame	
03	steel body brass frame	
cabl length	0,4 m	
A	0,4 m	
C	1,5 m	
H	5 m	
M	10 m	
P	15 m	
variant	standard	
00	standard	

For correct code composition see instructions on page 151 of the catalogue or go to www.mizar.it



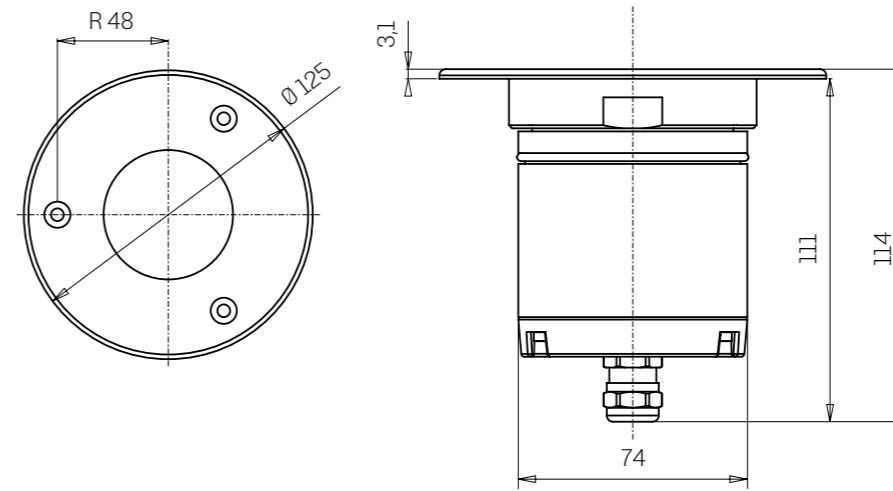


OCEANO 4.2

Inground **drive-over** luminaire, suitable for **outdoor** use and **underwater** up to 10m (IP66/IP68), with operating temperature range: **-20°C / +50°C**. To offer the maximum application versatility the body can be made of **aluminium** or **steel**; the upper round frame in aluminium, steel or brass. The light source consists of a single chip **7W** power LED supplied at 24V constant voltage. The luminous flux up to **305 lm** (3000K) makes it **ideal** for marking out **walkways** and driveways or for illuminate architectural details, thanks to different beam angles: circular 5°, 20° and 60° and an **elliptical** 15°x60°. The source is recessed for greater visual comfort. Different **colour temperatures** are available: 2700K, 3000K, 4000K with CRI > 90. Oceano 4.2 is equipped with the **IdroSkud®** system for the protection of electronic components against voltage spikes, polarity reversal and water infiltration. There are optionals for anti-glare (honeycomb and louvre) and installation accessories are provided (drive-over outer case). The power cable length is 0.4m; on request: 1.5m, 5m, 10m, 15m.

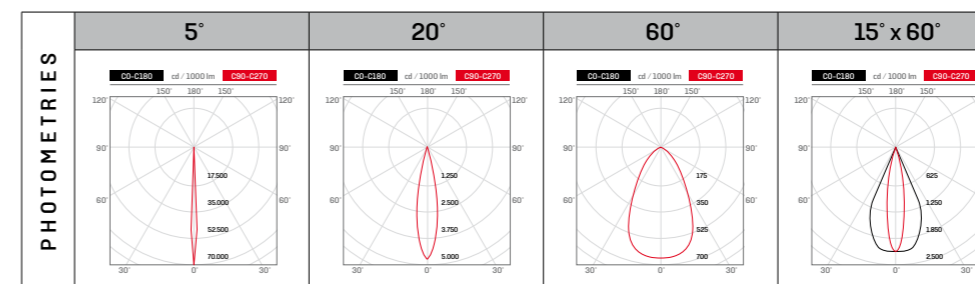
power	7W - single chip Power Led
power supply	24V constant voltage
insulation class	III class
IP rating	IP66 / IP68 10 m
IK rating	IK 09
operating temperature	-20°C / +50°C
size	Ø 125 x 114 mm
light source flux	410 lm (3000K)
effective flux	up to 305 lm (3000K)
beam angles	circular 5° - 20° - 60°; elliptical 15° x 60°
CCT	2700K - 3000K - 4000K
CRI	> 90
BIN selection	2 Step MacAdam
lifetime	L80 B10 50.000 h

body materials	- anticorodal 6082 anodized 20µ aluminium - 316L stainless steel
frame materials	- anticorodal 6082 anodized 20µ aluminium - 316L stainless steel
screen	tempered extra-clear glass - 8 mm
installation	with outer case
power cable	H05RN - F 2X0.75 mm²
electrical connection	parallel
weight	720 g (aluminium) 1774 g (steel)
protection system	IdroSkud® System - polarity reversal protection - voltage spikes protection - water infiltration protection
made in	ITALY



OPTIONALS	honeycomb	louvre	cabl m 0.4, 1.5, 5, 10, 15

ACCESSORIES	drive-over outer case CEAZZ013
	Ø 113 x Ø 150 x 168.5
	power supply for recommended models see page 40 of the catalogue



PRODUCT CODE CONFIGURATION

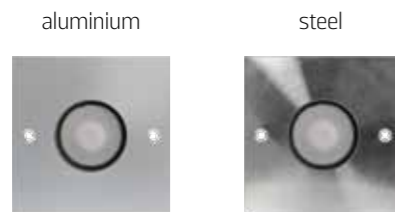


family	MIZAR OCEANO
CEA	MIZAR OCEANO
model	OCEANO 4.2
CCT	2700 K 3000 K 4000 K
CRI	> 90
beam angles	5° 20° 60° 15°x60° ell.
optionals	no one honeycomb louvre
frame finishing	aluminium body aluminium frame steel body steel frame
cable length	0,4 m 1,5 m 5 m 10 m 15 m
variant	standard

For correct code composition see instructions on page 151 of the catalogue or go to www.mizar.it



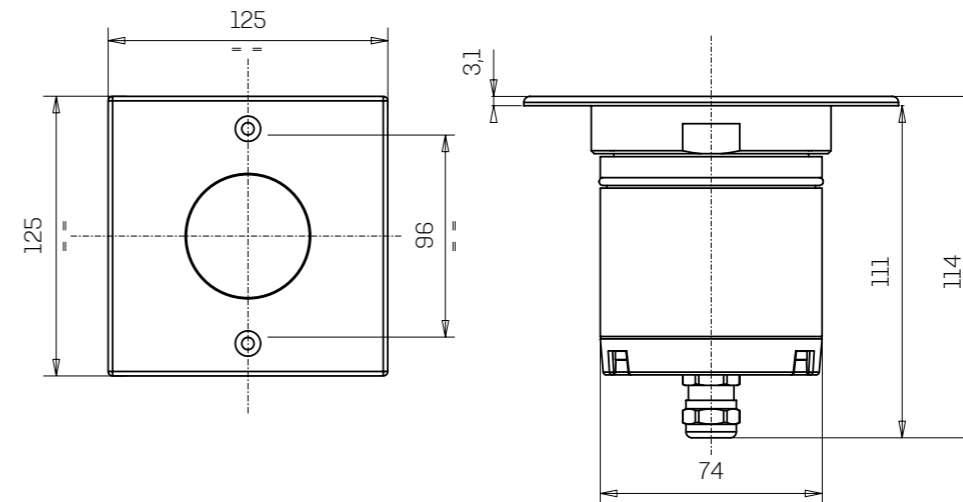
OCEANO 4.3



Inground **drive-over luminaire**, suitable for **outdoor** use and **underwater** up to 10m (IP66/IP68), with operating temperature range: **-20°C / +50°C**. To offer the maximum application versatility the body can be made of **aluminium** or **steel**; the upper square frame in aluminium, steel or brass. The light source consists of a single chip **7W** power LED supplied at 24V constant voltage. The luminous flux up to **305 lm** (3000K) makes it **ideal** for marking out **walkways** and driveways or for illuminate architectural details, thanks to different beam angles: circular 5°, 20° and 60° and an **elliptical** 15°x60°. The source is recessed for greater visual comfort. Different **colour temperatures** are available: 2700K, 3000K, 4000K with CRI > 90. Oceano 4.3 is equipped with the **IdroSkud®** system for the protection of electronic components against voltage spikes, polarity reversal and water infiltration. There are optionals for anti-glare (honeycomb and louvre) and installation accessories are provided (drive-over outer case). The power cable length is 0.4m; on request: 1.5m, 5m, 10m, 15m.

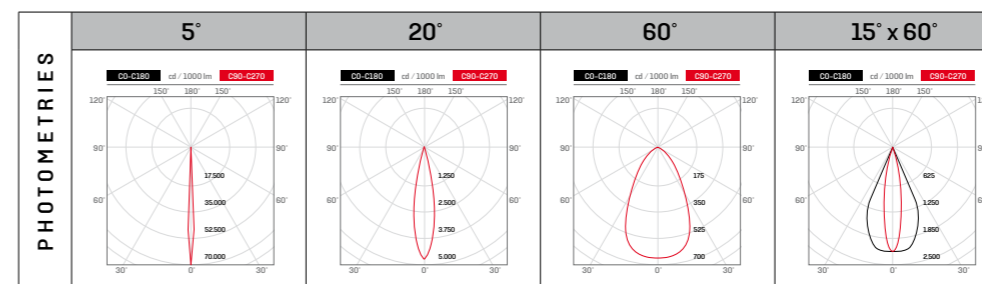
power	7W - single chip Power Led
power supply	24V constant voltage
insulation class	III class
IP rating	IP66 / IP68 10 m
IK rating	IK 09
operating temperature	-20°C / +50°C
size	125 x 125 x 114 mm
light source flux	410 lm (3000K)
effective flux	up to 305 lm (3000K)
beam angles	circular 5° - 20° - 60°; elliptical 15° x 60°
CCT	2700K - 3000K - 4000K
CRI	> 90
BIN selection	2 Step MacAdam
lifetime	L80 B10 50.000 h

body materials	- anticorodal 6082 anodized 20µ aluminium - 316L stainless steel
frame materials	- anticorodal 6082 anodized 20µ aluminium - 316L stainless steel
screen	tempered extra-clear glass - 8 mm
installation	with outer case
power cable	H05RN - F 2X0.75 mm²
electrical connection	parallel
weight	748 g (aluminium) 1831 g (steel)
protection system	IdroSkud® System - polarity reversal protection - voltage spikes protection - water infiltration protection
made in	ITALY



OPTIONALS	honeycomb	louvre	cabl m 0.4, 1.5, 5, 10, 15

ACCESSORIES	drive-over outer case CEAZZ013
	Ø 113 x Ø 150 x 168.5
power supply for recommended models see page 40 of the catalogue	

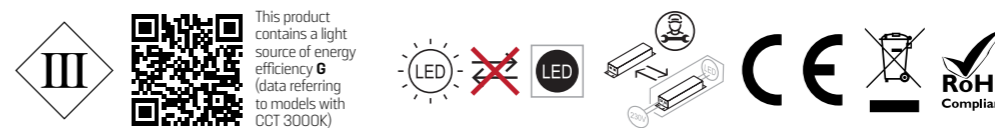


PRODUCT CODE CONFIGURATION



family	CEA	MIZAR OCEANO
model	11	OCEANO 4.3
CCT	C	2700 K
	D	3000 K
	F	4000 K
CRI	C	> 90
beam angles	S	5°
	M	20°
	L	60°
	E	15°x60° ell.
optionals	0	no one
	1	honeycomb
	2	louvre
frame finishing	00	aluminium body aluminium frame
	01	steel body steel frame
cable length	A	0,4 m
	C	1,5 m
	H	5 m
	M	10 m
	P	15 m
variant	00	standard

For correct code composition see instructions on page 151 of the catalogue or go to www.mizar.it





OCEANO 9.1-9.2-9.3-9.4

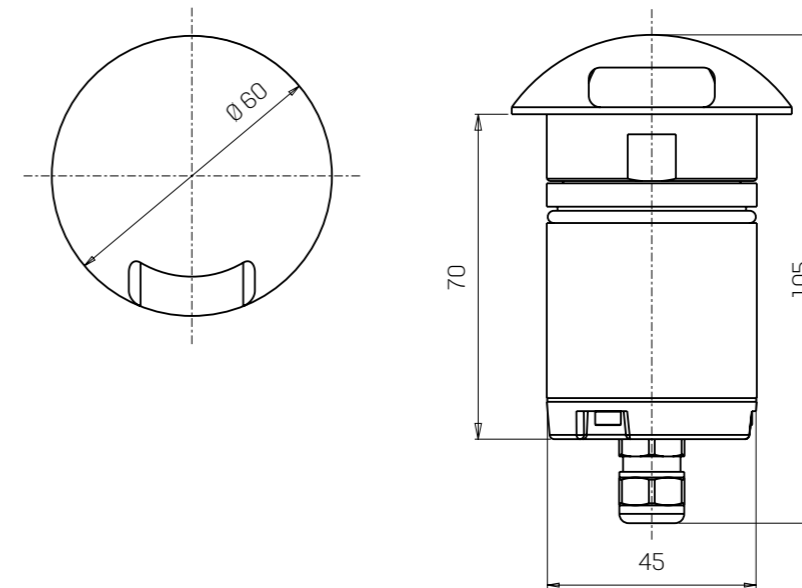
Recessed surface-mounted, **walk-over** luminaires, suitable for **outdoor** use and **underwater** up to 10 metres, (IP66/IP68) with an operating temperature range of **-20°C / +50°C**.

To offer the maximum application versatility, the body and frame are made of **stainless steel**. The light source consists of a single **3W** power LED chip powered at 24V constant voltage. The luminous flux from **27 to 107 lm** (3000K) makes them **ideal** for marking **pedestrian routes** thanks to the different beam angles.

Different **colour temperatures** are available: 2700K, 3000K, 4000K with CRI > 90. Oceano 9.1, 9.2, 9.3, 9.4 are equipped with the **IdroSkud®** system to protect electronic components from voltage spikes, polarity reversal and water infiltration. Installation accessories (draining and waterproof outer case) are provided. Electrical cable size is 0.4m; on request: 1.5m, 5m, 10m, 15m.

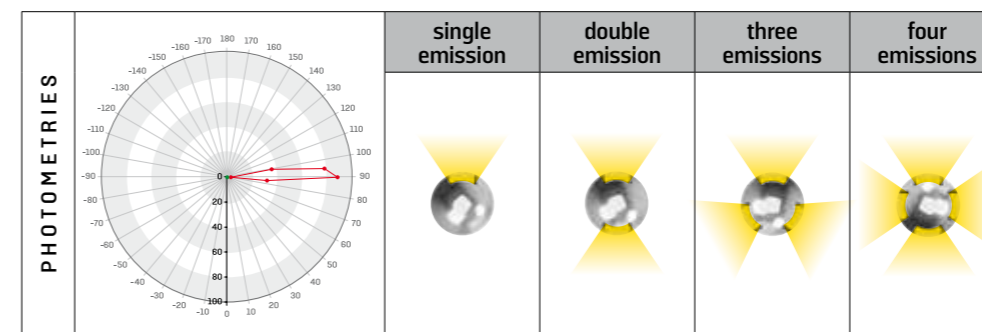
power	3W - single chip Power Led
power supply	24V constant voltage
insulation class	III class
IP rating	IP66 / IP68 10 m
IK rating	IK 10
operating temperature	-20°C / +50°C
size	Ø 60 x 105 mm
light source flux	227 lm (3000K)
effective flux	up to 27 lm - single emission up to 54 lm - double emission up to 81 lm - three emissions up to 107 lm - four emissions
beam angles	grazing 1-2-3-4 emissions
CCT	2700K - 3000K - 4000K
CRI	> 90
BIN selection	2 Step MacAdam

lifetime	L80 B10 50.000 h
body materials	316L stainless steel
frame materials	316L stainless steel
screen	optical silicone
installation	with outer case
power cable	H05RN - F 2X0.75 mm²
electrical connection	parallel
weight	673g - single emission 650g - double emission 625g - three emissions 607g - four emissions
protection system	IdroSkud® System - polarity reversal protection - voltage spikes protection - water infiltration protection
made in	ITALY



PHOTOMETRIES

single emission	double emission	three emissions	four emissions



family

CEA	MIZAR OCEANO
-----	--------------

model

16	OCEANO 9.1
17	OCEANO 9.2
18	OCEANO 9.3
19	OCEANO 9.4

CCT

C	2700 K
D	3000 K
F	4000 K

CRI

C	> 90
---	------

beam angles

R	grazing
---	---------

optionals

O	no one
---	--------

frame finishing

O1	steel body steel frame
----	---------------------------

cable length

A	0,4 m
C	1,5 m
H	5 m
M	10 m
P	15 m

variant

00	standard
----	----------

For correct code composition see instructions on page 151 of the catalogue or go to www.mizar.it



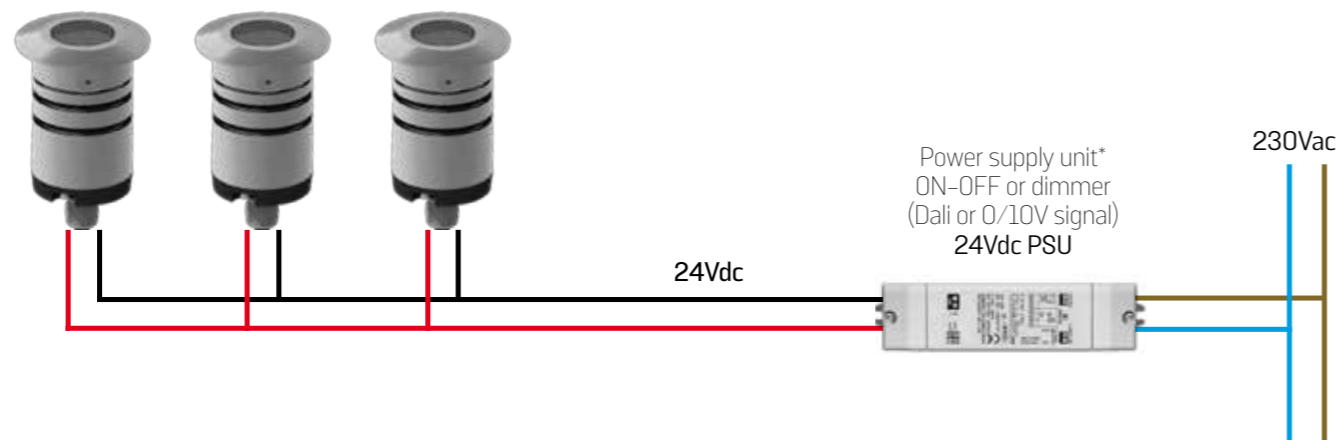


OCEANO




PARALLEL ELECTRICAL CONNECTION

ON-OFF OR DIMMER SYSTEM (DALI OR 0-10V SIGNAL)

All lights are signed for parallel connection with ON-OFF or dimmer power supply units



* The power supply unit must have sufficient power to supply the number of lights in the circuit plus a tolerance of 30% to handle the inrush current

SUGGESTED POWER SUPPLY	code	OUT tension	output max	W max	IP	supported spotlight model	number of spotlights	
	MID0019	24V	600mA dc	14,4 W	IP67	OCEANO 1.0 - 1.1	9	
						OCEANO 2.0 - 2.1	5	
						OCEANO 3.0 - 3.1 - 3.2 - 3.3 - 9	3	
						OCEANO 4.0 - 4.1 - 4.2 - 4.3	1	
	MID0020	24V	1500mA dc	24 W	IP67	OCEANO 1.0 - 1.1	23	
						OCEANO 2.0 - 2.1	11	
						OCEANO 3.0 - 3.1 - 3.2 - 3.3 - 9	10	
						OCEANO 4.0 - 4.1 - 4.2 - 4.3	3	
	MID0021	DALI 24V	1000mA dc	24 W	IP67	OCEANO 1.0 - 1.1	15	
						OCEANO 2.0 - 2.1	9	
						OCEANO 3.0 - 3.1 - 3.2 - 3.3 - 9	6	
OCEANO 4.0 - 4.1 - 4.2 - 4.3						2		





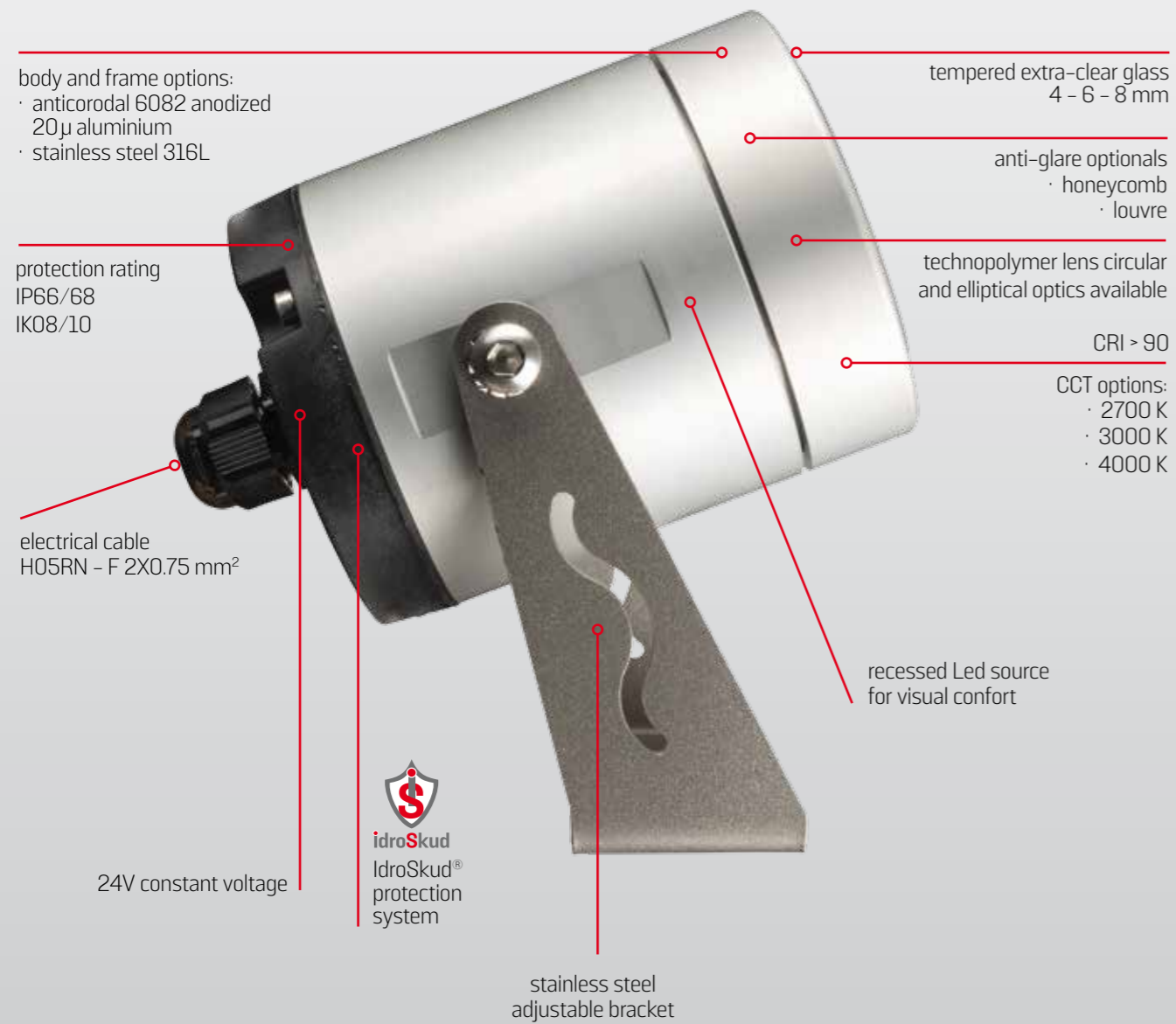
OCEANO

OUTDOOR FLOODLIGHTS



OCEANO

CONSTRUCTION FEATURES



OCEANO

FAMILY RANGE





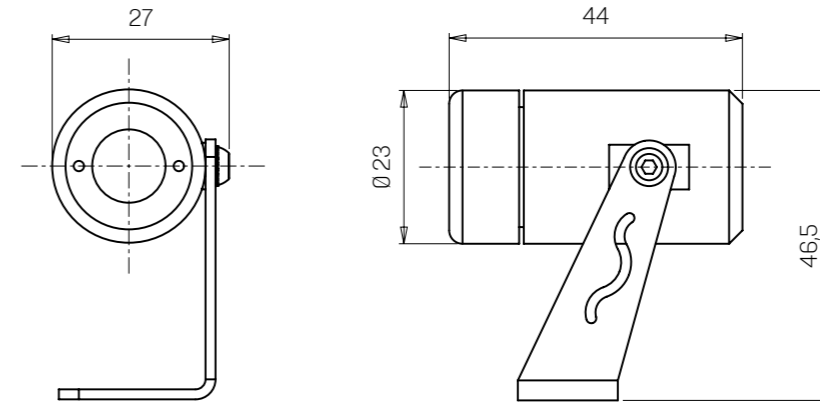
OCEANO 5

Floodlights suitable for use (IP66/IP68) with an operating temperature range of **-20°C / +50°C**. To offer the maximum application versatility the body can be made of aluminium or steel; for both models, the bracket are made in steel and allows the fixture's inclination to be adjusted. The light source consists of a single chip **1W** power LED supplied at 24V constant voltage. The luminous flux up to **53 lm** (3000K) makes it **ideal** for illuminating architectural details, garden plants or water features, thanks to different beam angles: circular 15°, 25° and 40° and an **elliptical** 20x43°. The source is recessed for greater visual comfort. Different **colour temperatures** are available: 2700K, 3000K, 4000K with CRI > 90. Oceano 5.0 is equipped with the **IdroSkud®** system for the protection of electronic components against voltage spikes, reverse polarity and water infiltration. An accessory for installation in the ground is provided (ground stake). The power cable length is 0.4m; on request: 1.5m, 5m, 10m, 15m.

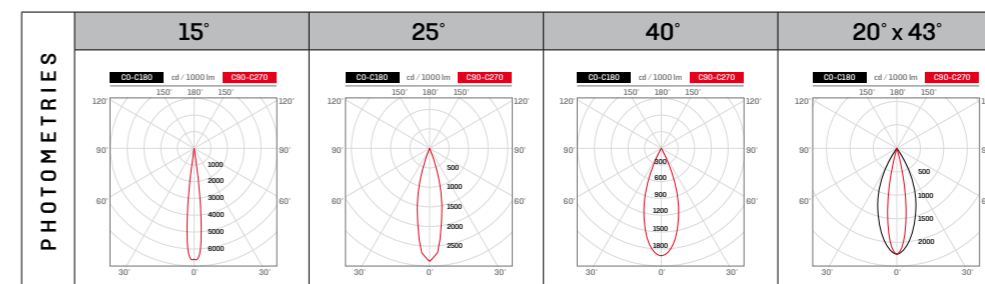


power	1W - single chip Power Led
power supply	24V constant voltage
insulation class	III class
IP rating	IP66 / IP68
IK rating	IK 09
operating temperature	-20°C / +50°C
size	Ø 23 x 44 x 46,5 mm
light source flux	172 lm (3000K)
effective flux	up to 53 lm (3000K)
beam angles	circular 15° - 25° - 40°; elliptical 20° x 43°
CCT	2700K - 3000K - 4000K
CRI	> 90
BIN selection	2 Step MacAdam
lifetime	L80 B10 50.000 h

body materials	- anticorodal 6082 anodized 20µ aluminium - 316L stainless steel
frame materials	- anticorodal 6082 anodized 20µ aluminium - 316L stainless steel
screen	tempered extra-clear glass - 4 mm
installation	steel bracket
power cable	FR5FOEM7 -AD8 2X0.5 mm ²
electrical connection	parallel
weight	52 g (aluminium) 112 g (steel)
protection system	IdroSkud® System - polarity reversal protection - voltage spikes protection - water infiltration protection
made in	ITALY



OPTIONALS	cable m 0.4, 1.5, 5, 10, 15	ACCESSORIES	ground stake CEAZZ016
			power supply for recommended models see page 54



PRODUCT CODE CONFIGURATION



family	MIZAR OCEANO
CEA	MIZAR OCEANO
model	OCEANO 5
12	OCEANO 5
CCT	
C	2700 K
D	3000 K
F	4000 K
CRI	
C	> 90
beam angles	
S	15°
M	25°
L	40°
E	20°x43° ell.
optionals	
O	no one
frame finishing	
00	aluminium
01	steel
cable length	
A	0,4 m
C	1,5 m
H	5 m
M	10 m
P	15 m
variant	
00	standard

For correct code composition see instructions on page 151 of the catalogue or go to www.mizar.it





OCEANO 6

Floodlights suitable for **outdoor** use (IP66/IP68) with an operating temperature range of **-20°C / +50°C**. To offer the maximum application versatility the body can be made of **aluminium** or **steel**; for both models, the bracket are made in steel and allows the fixture's inclination to be adjusted. The light source consists of a single chip **2W** power LED supplied at 24V constant voltage.

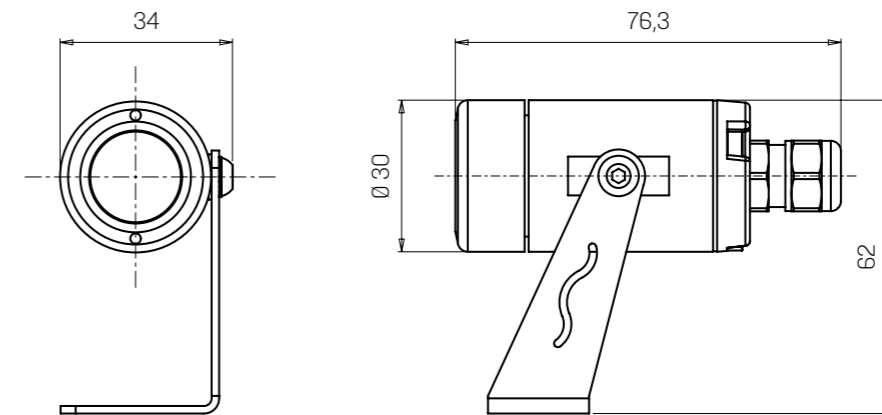
The luminous flux up to **120 lm** (3000K) makes it **ideal** for illuminating architectural details, garden plants or water features, thanks to different beam angles: circular 10°, 36° and 60° and an **elliptical** 10x53°. The source is recessed for greater visual comfort. Different **colour temperatures** are available: 2700K, 3000K, 4000K with CRI > 90.

Oceano 6.0 is equipped with the **IdroSkud®** system for the protection of electronic components against voltage spikes, reverse polarity and water infiltration. There are optionals for anti-glare (honeycomb) and installation in the ground is provided (ground stake). The power cable length is 0.4m; on request: 1.5m, 5m, 10m, 15m.

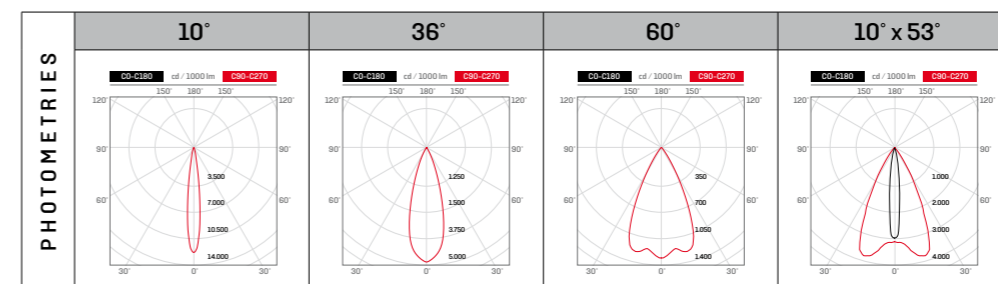


power	2W - single chip Power Led
power supply	24V constant voltage
insulation class	III class
IP rating	IP66 / IP68
IK rating	IK 07
operating temperature	-20°C / +50°C
size	Ø 30 x 76 x 62 mm
light source flux	195 lm (3000K)
effective flux	up to 120 lm (3000K)
beam angles	circular 10° - 36° - 60°; elliptical 10° x 53°
CCT	2700K - 3000K - 4000K
CRI	> 90
BIN selection	2 Step MacAdam
lifetime	L80 B10 50.000 h

body materials	- anticorodal 6082 anodized 20µ aluminium - 316L stainless steel
frame materials	- anticorodal 6082 anodized 20µ aluminium - 316L stainless steel
screen	tempered extra-clear glass - 6 mm
installation	steel bracket
power cable	H05RN - F 2X0.75 mm²
electrical connection	parallel
weight	118 g (aluminium) 226 g (steel)
protection system	IdroSkud® System - polarity reversal protection - voltage spikes protection - water infiltration protection
made in	ITALY



OPTIONALS	honeycomb	cable m 0.4, 1.5, 5, 10, 15	ACCESSORIES	ground stake CEAZZ016
				power supply for recommended models see page 54



PRODUCT CODE CONFIGURATION



family	MIZAR OCEANO
CEA	MIZAR OCEANO
model	OCEANO 6
13	OCEANO 6
CCT	
C	2700 K
D	3000 K
F	4000 K
CRI	
C	> 90
beam angles	
S	10°
M	36°
L	60°
E	10°x53° ell.
optionals	
O	no one
I	honeycomb
frame finishing	
00	aluminium
01	steel
cable length	
A	0,4 m
C	1,5 m
H	5 m
M	10 m
P	15 m
variant	
00	standard

For correct code composition see instructions on page 151 of the catalogue or go to www.mizar.it





OCEANO 7

Floodlights suitable for **outdoor** use and **underwater** up to 10m (IP66/IP68) with an operating temperature range of **-20°C / +50°C**.

To offer the maximum application versatility the body can be made of **aluminium** or **steel**; for both models, the bracket are made in steel and allows the fixture's inclination to be adjusted.

The light source consists of a single chip **3W** power LED supplied at 24V constant voltage.

The luminous flux up to **153 lm** (3000K) makes it ideal for illuminating architectural details, garden plants or water features, thanks to different beam angles: circular 10°, 25° and 40° and an **elliptical** 10x45°.

The source is recessed for greater visual comfort.

Different **colour temperatures** are available:

2700K, 3000K, 4000K with CRI > 90.

Oceano 7.0 is equipped with the **IdroSkud®** system for the protection of electronic components against voltage spikes, reverse polarity and water infiltration.

There are optionals for anti-glare (honeycomb) and installation in the ground is provided (ground stake).

The power cable length is 0.4m; on request: 1.5m, 5m, 10m, 15m.

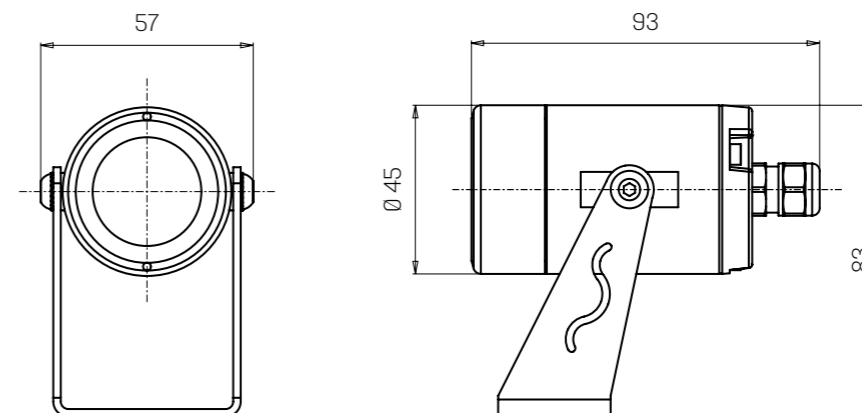


aluminium

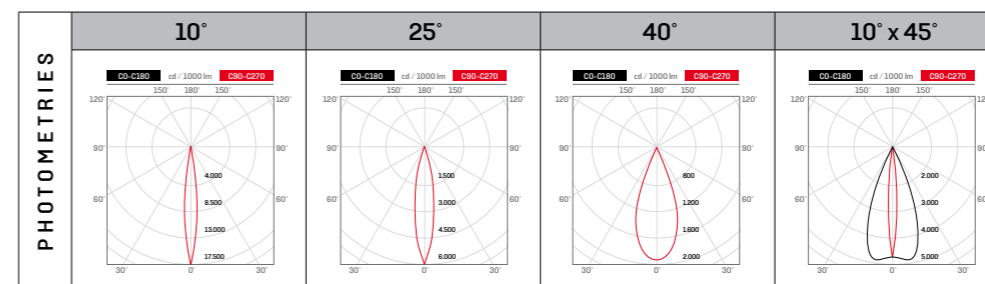
steel

power	3W - single chip Power Led
power supply	24V constant voltage
insulation class	III class
IP rating	IP66 / IP68 10 m
IK rating	IK10
operating temperature	-20°C / +50°C
size	Ø 45 x 93 x 83 mm
light source flux	227 lm (3000K)
effective flux	up to 153 lm (3000K)
beam angles	circular 10° - 25° - 40°; elliptical 10° x 45°
CCT	2700K - 3000K - 4000K
CRI	> 90
BIN selection	2 Step MacAdam
lifetime	L80 B10 50.000 h

body materials	- anticorodal 6082 anodized 20µ aluminium - 316L stainless steel
frame materials	- anticorodal 6082 anodized 20µ aluminium - 316L stainless steel
screen	tempered extra-clear glass - 8 mm
installation	steel bracket
power cable	H05RN - F 2X0.75 mm²
electrical connection	parallel
weight	304 g (aluminium) 629 g (steel)
protection system	IdroSkud® System - polarity reversal protection - voltage spikes protection - water infiltration protection
made in	ITALY



OPTIONALS	honeycomb	cable m 0.4, 1.5, 5, 10, 15	ACCESSORIES	ground stake
				CEAZZ016
				power supply for recommended models see page 54



PRODUCT CODE CONFIGURATION



family	MIZAR OCEANO
CEA	MIZAR OCEANO
model	OCEANO 7
14	OCEANO 7
CCT	
C	2700 K
D	3000 K
F	4000 K
CRI	
C	> 90
beam angles	
S	10°
M	25°
L	40°
E	10°x45° ell.
optionals	
O	no one
I	honeycomb
frame finishing	
00	aluminium body
01	steel frame
cable length	
A	0,4 m
C	1,5 m
H	5 m
M	10 m
P	15 m
variant	
00	standard

For correct code composition see instructions on page 151 of the catalogue or go to www.mizar.it





OCEANO 8

Floodlights suitable for **outdoor** use and **underwater** up to 10m (IP66/IP68) with an operating temperature range of **-20°C / +50°C**.

To offer the maximum application versatility the body can be made of **aluminium** or **steel**; for both models, the bracket are made in steel and allows the fixture's inclination to be adjusted.

The light source consists of a single chip **7W** power LED supplied at 24V constant voltage.

The luminous flux up to **305 lm** (3000K) makes it ideal for illuminating architectural details, garden plants or water features, thanks to different beam angles: circular 5°, 20° and 60° and an **elliptical 15x60°**.

The source is recessed for greater visual comfort. Different **colour temperatures** are available:

2700K, 3000K, 4000K with CRI > 90.

Oceano 8.0 is equipped with the **IdroSkud®** system for the protection of electronic components against voltage spikes, reverse polarity and water infiltration.

There are optionals for anti-glare (honeycomb) and installation in the ground is provided (ground stake).

The power cable length is 0.4m; on request: 1.5m, 5m, 10m, 15m.

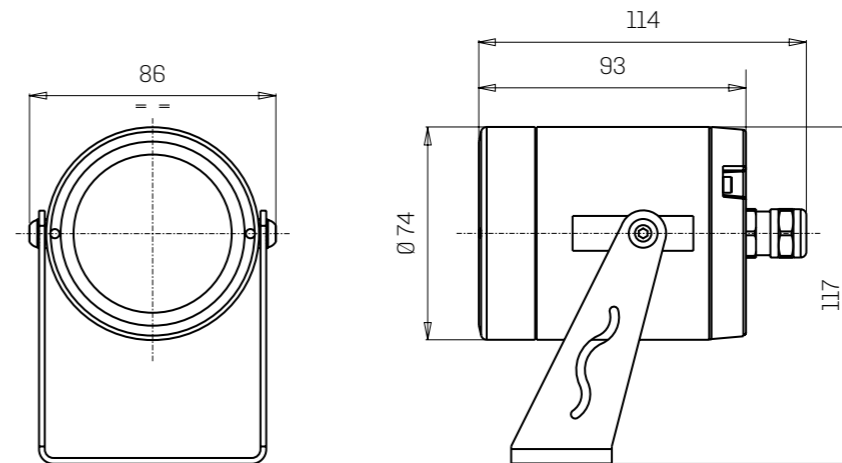


aluminium

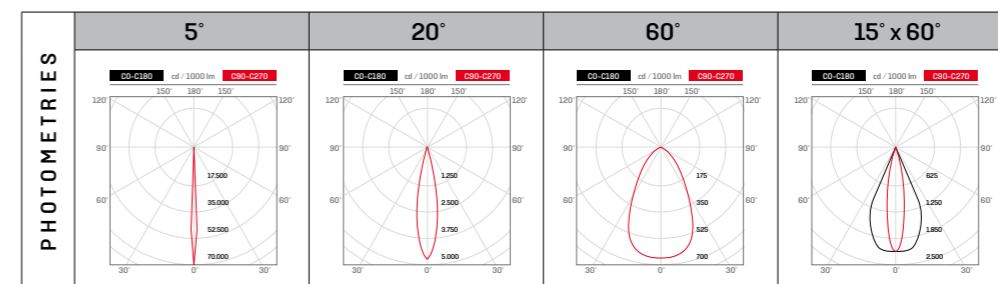
steel

power	7W - single chip Power Led
power supply	24V constant voltage
insulation class	III class
IP rating	IP66 / IP68 10 m
IK rating	IK 09
operating temperature	-20°C / +50°C
size	Ø 74 x 114 x 117 mm
light source flux	410 lm (3000K)
effective flux	up to 305 lm (3000K)
beam angles	circular 5° - 20° - 60°; elliptical 15° x 60°
CCT	2700K - 3000K - 4000K
CRI	> 90
BIN selection	3 Step MacAdam
lifetime	L80 B10 50.000 h

body materials	- anticorodal 6082 anodized 20µ aluminium - 316L stainless steel
frame materials	- anticorodal 6082 anodized 20µ aluminium - 316L stainless steel
screen	tempered extra-clear glass - 8 mm
installation	steel bracket
power cable	H05RN - F 2X0.75 mm²
electrical connection	parallel
weight	748 g (aluminium) 1592 g (steel)
protection system	IdroSkud® System - polarity reversal protection - voltage spikes protection - water infiltration protection
made in	ITALY



OPTIONALS	honeycomb	cable m 0.4, 1.5, 5, 10, 15	ACCESSORIES	ground stake
				CEAZZ017
				power supply for recommended models see page 54



PRODUCT CODE CONFIGURATION



family	MIZAR OCEANO	
CEA	MIZAR OCEANO	
model	OCEANO 8	
CCT	2700 K	
C	2700 K	▼
D	3000 K	▼
F	4000 K	▼
CRI	> 90	
C	> 90	
beam angles	5°	
S	5°	▼
M	20°	▼
L	60°	▼
E	15°x60° ell.	▼
optionals	no one	
O	no one	
I	honeycomb	
frame finishing	aluminium	
00	aluminium	
01	steel	
cable length	0,4 m	
A	0,4 m	
C	1,5 m	
H	5 m	
M	10 m	
P	15 m	
variant	standard	
00	standard	

For correct code composition see instructions on page 151 of the catalogue or go to www.mizar.it



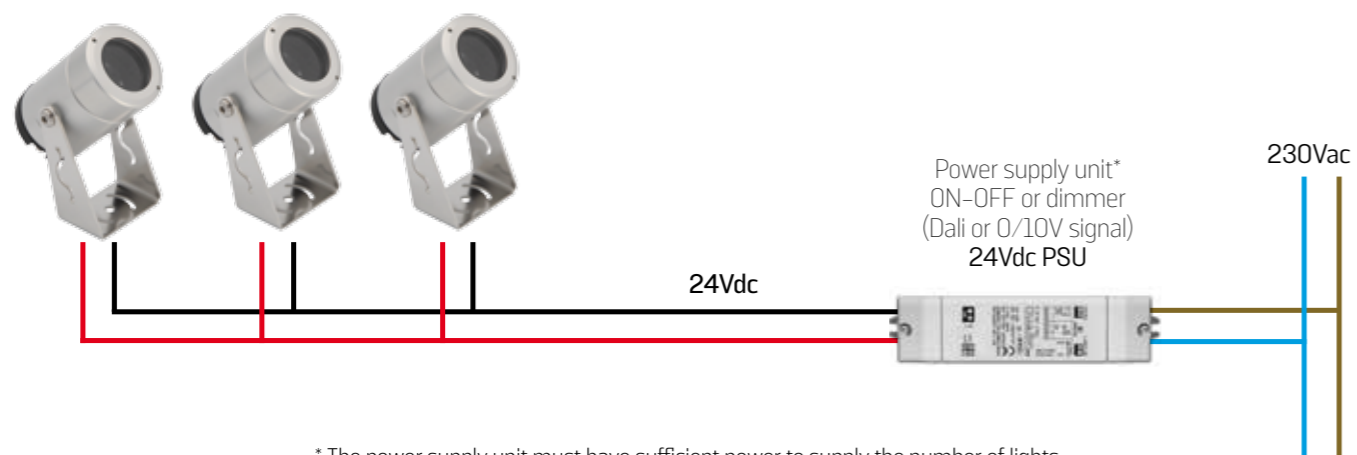


OCEANO



PARALLEL ELECTRICAL CONNECTION

ON-OFF OR DIMMER SYSTEM (DALI OR 0-10V SIGNAL)

OCEANO lights are designed for parallel connection with ON-OFF or dimmer power supply units



* The power supply unit must have sufficient power to supply the number of lights in the circuit plus a tolerance of 30% to handle the inrush current

	code	OUT tension	output max	W max	IP	supported spotlight model	number of spotlights	
	SUGGESTED POWER SUPPLY	MID0019	24V	600mA dc	14,4 W	IP67	OCEANO 5	
OCEANO 6							5	
OCEANO 7							3	
OCEANO 8							1	
MID0020		24V	1500mA dc	24 W	IP67	OCEANO 5	23	
						OCEANO 6	11	
						OCEANO 7	10	
						OCEANO 8	3	
MID0021		DALI 24V	1000mA dc	24 W	IP67	OCEANO 5	15	
						OCEANO 6	9	
						OCEANO 7	6	
						OCEANO 8	2	





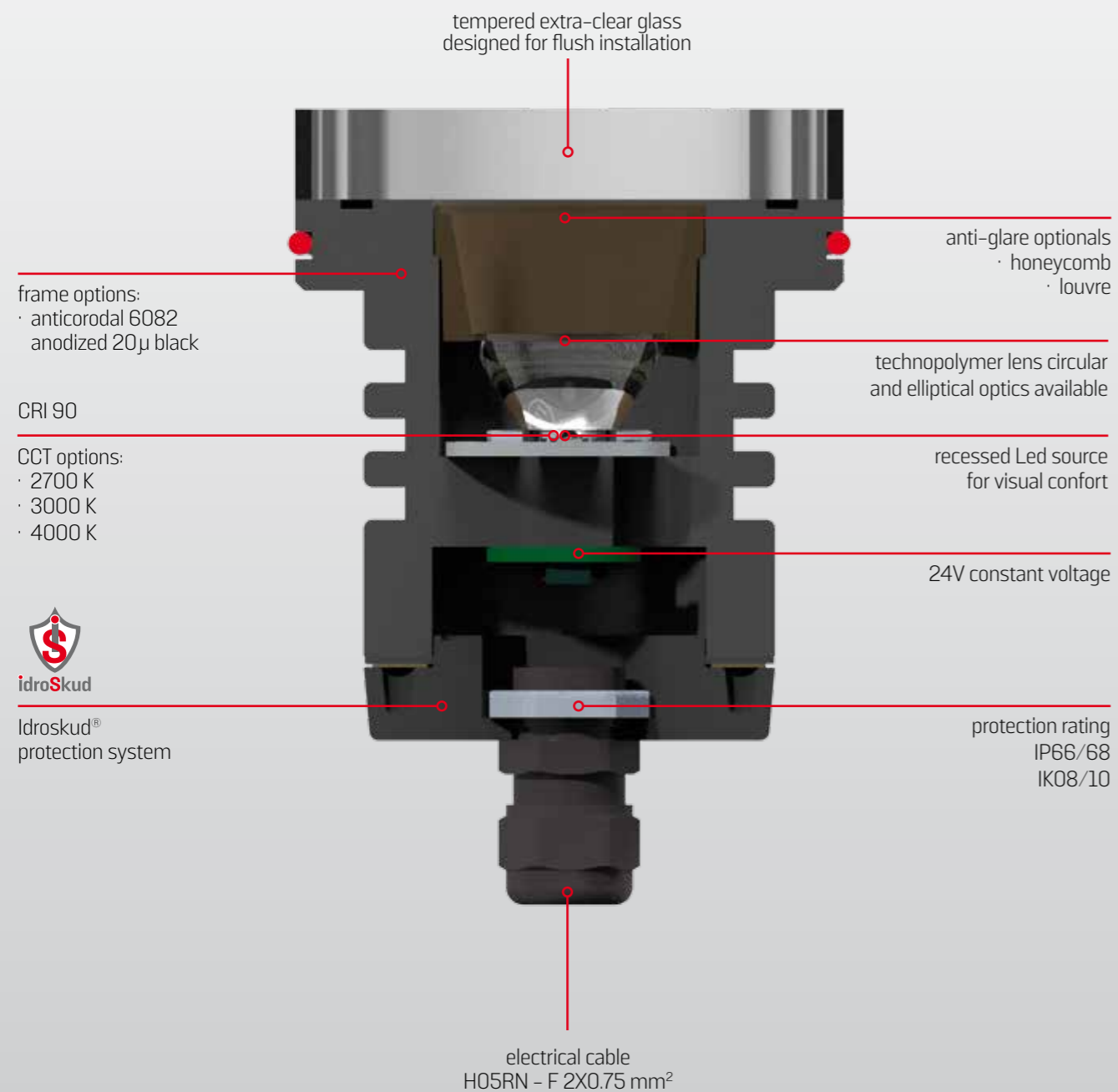
VITRUM

OUTDOOR WALK-OVER
FULLY FLUSH INGROUNDS



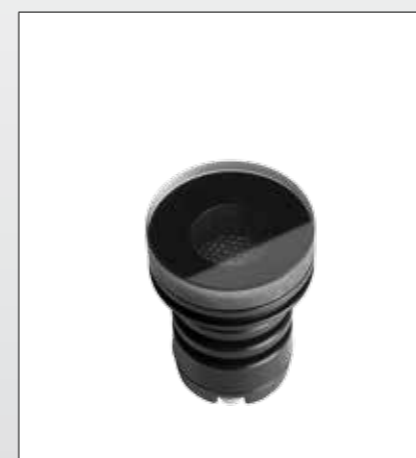
VITRUM

CONSTRUCTION FEATURES

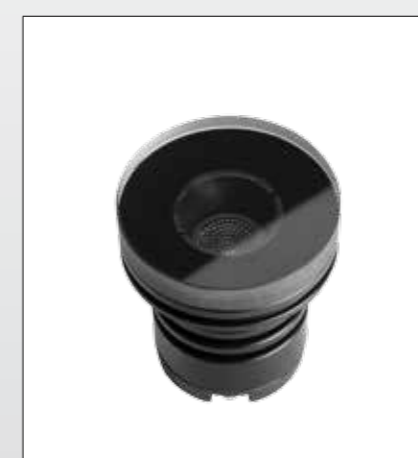


VITRUM

FAMILY RANGE



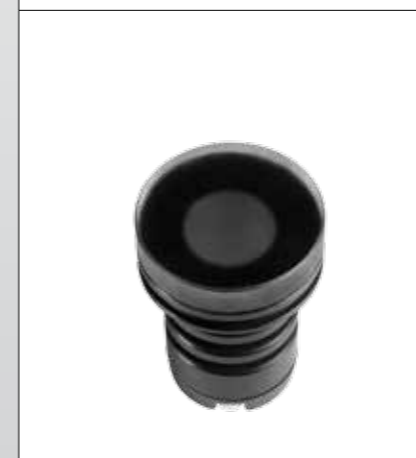
VITRUM 1.0



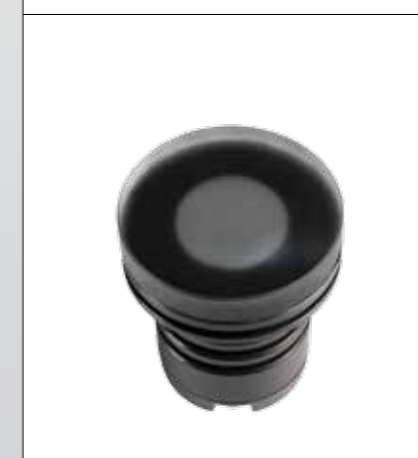
VITRUM 2.0



VITRUM 3.0



VITRUM 1.1



VITRUM 2.1



VITRUM 3.1

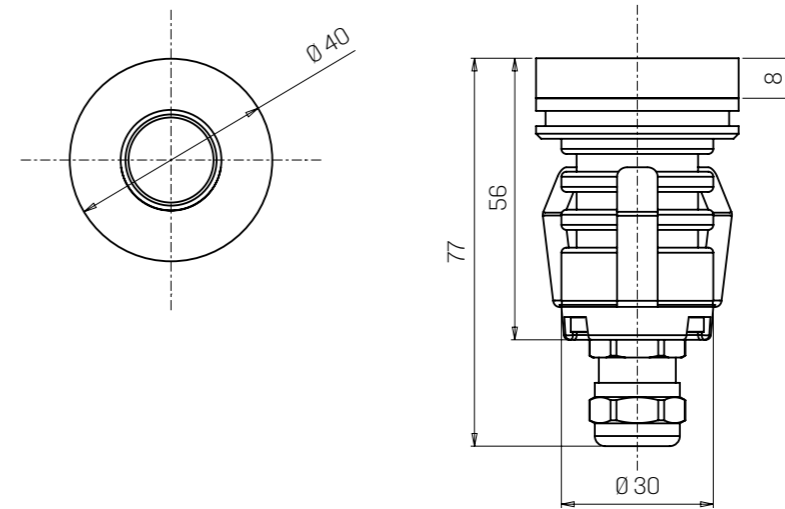
VITRUM 1.0



Inground **walk-over** luminaire, suitable for **outdoor** and **underwater** use (IP66/IP68) with operating temperature range: **-20°C / +50°C**.
 It's characterized by a **tempered glass screen without a metal frame, transparent**, with internal black silkscreen. The body is in black anodized anticorodal aluminium. The light source consists of a single 2W power LED chip powered by 24Vdc constant voltage.
 The essential design makes it **ideal** as a lighting fixture for elegant indoor and outdoor environments, as well as for situations with high humidity (spa, cellars). The luminous flux up to **125 lm** (3000K), with 10°, 36° and 60° circular emission angles and 10°x 53° **elliptical**. The source is set back for greater visual comfort.
 Different **colour temperatures** are available: 2700K, 3000K, 4000K with CRI > 90.
 Vitrum 1.0 is equipped with the **IdroSkud®** system for the protection of electronic components from voltage spikes, polarity reversal (protection) and water infiltration. Optional anti-glare options (honeycomb) and installation accessories are provided (draining and slim draining outer case, plasterboard ring).
 The length of the electrical cable is 0.4m; on request: 1.5m, 5m, 10m, 15m.

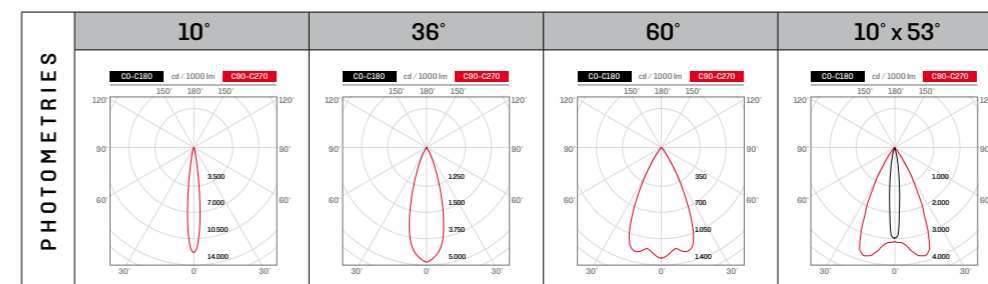
power	2W - single chip Power Led
power supply	24V constant voltage
insulation class	III class
IP rating	IP66 / IP68
IK rating	IK10
operating temperature	-20°C / +50°C
size	Ø 40 x 77 mm
light source flux	178 lm (3000K)
effective flux	up to 125 lm (3000K)
beam angles	circular 10° - 36° - 60° - elliptical 10° x 53°
CCT	2700K - 3000K - 4000K
CRI	> 90
BIN selection	2 Step MacAdam

lifetime	L80 B10 50.000 h
body	anticorodal 6082 black anodized 20µ aluminium
screen	tempered extra-clear glass - 8 mm black printed
installation	with outer case
power cable	0,4 m H05RN - F 2X0,75 mm ²
electrical connection	parallel
weight	113 g
protection system	IdroSkud® System _ polarity reversal protection _ voltage spikes protection _ water infiltration protection
made in	ITALY



OPTIONALS	honeycomb	cable m 0.4, 1.5, 5, 10, 15

ACCESSORIES	draining outer case	slim draining outer case	plasterboard ring
	VITZZZ000	VITZZZ003	VITZZZ006
	mm Ø 87 x 125,5	mm Ø 60 x 104	under definition
power supply for recommended models see page 72 of the catalogue			



PRODUCT CODE CONFIGURATION



family	
VIT	MIZAR VITRUM
model	
O1	VITRUM1
CCT	
C	2700 K
D	3000 K
F	4000 K
CRI	
C	> 90
beam angles	
S	10°
M	36°
L	60°
E	10°x53° ell.
optionals	
O	no one
I	honeycomb
glass finishing	
OO	black silkscreen
cable length	
A	0,4 m
C	1,5 m
H	5 m
D	10 m
E	15 m
variant	
OO	standard

For correct code composition see instructions on page 151 of the catalogue or go to www.mizar.it





VITRUM 1.1

Inground **walk-over** luminaire, suitable for **outdoor** and **underwater** use (IP66/IP68) with operating temperature range: **-20°C / +50°C**.

It's characterized by a **tempered glass screen without a metal frame with internal opal, with internal black silkscreen**.

The body is in black anodized anticorodal aluminium. The light source consists of a single 2W power LED chip powered by 24Vdc constant voltage.

The essential design makes it **ideal** as a lighting fixture for elegant indoor and outdoor environments, as well as for situations with high humidity (spa, cellars).

The luminous flux up to **95 lm** (3000K), with widespread emission.

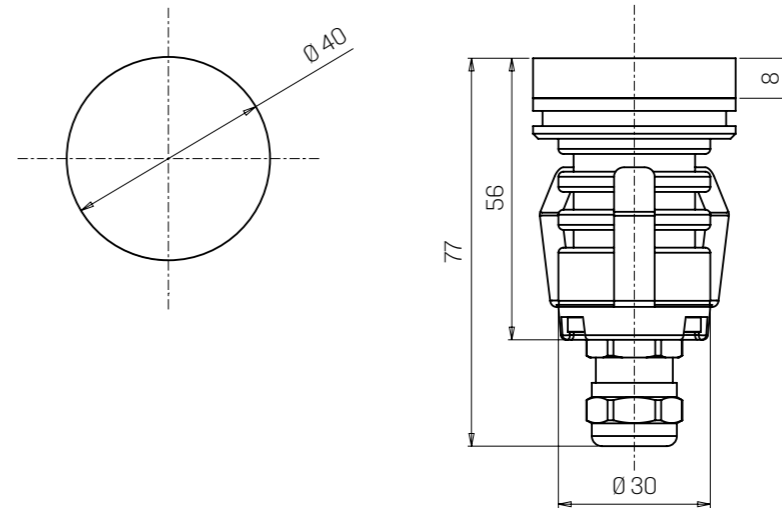
The source is set back for greater visual comfort.

Different **colour temperatures** are available: 2700K, 3000K, 4000K with CRI > 90.

Vitrum 1.1 is equipped with the **IdroSkud®** system for the protection of electronic components from voltage spikes, polarity reversal (protection) and water infiltration.

Optional for installation accessories are provided (draining and slim draining outer case, plasterboard ring).

The length of the electrical cable is 0.4m; on request: 1.5m, 5m, 10m, 15m.



family

VIT MIZAR VITRUM

model

O1 VITRUM1.1

CCT

C	2700 K	▼
D	3000 K	▼
F	4000 K	▼

CRI

C > 90

beam angles

D diffused ▼

optionals

O no one

glass finishing

O1 black silkscreen

cable length

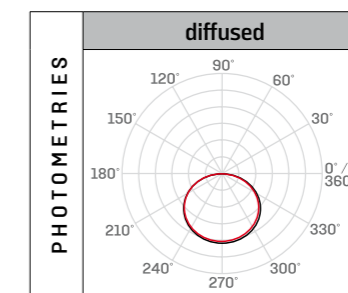
A	0,4 m
C	1,5 m
H	5 m
D	10 m
E	15 m

variant

OO standard

power	2W - single chip Power Led
power supply	24V constant voltage
insulation class	III class
IP rating	IP66 / IP68
IK rating	IK10
operating temperature	-20°C / +50°C
size	Ø 40 x 77 mm
light source flux	178 lm (3000K)
effective flux	up to 95 lm (3000K)
beam angles	10° - 36° - 60° - elliptical 10° x 53°
CCT	2700K - 3000K - 4000K
CRI	> 90
BIN selection	2 Step MacAdam

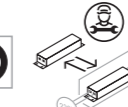
lifetime	L80 B10 50.000 h
body	anticorodal 6082 black anodized 20µ aluminium
screen	tempered extra-clear glass - 8 mm satin finish
installation	with outer case
power cable	0,4 m H05RN - F 2X0,75 mm ²
electrical connection	parallel
weight	113 g
protection system	IdroSkud® System - polarity reversal protection - voltage spikes protection - water infiltration protection
made in	ITALY



ACCESSORIES	draining outer case	slim draining outer case	plasterboard ring
	VITZZZ000	VITZZZ003	VITZZZ006
	mm Ø 87 x 125,5	mm Ø 60 x 104	under definition
power supply for recommended models see page 72 of the catalogue			



This product contains a light source of energy efficiency **F** (data referring to models with CCT 3000K)



For correct code composition see instructions on page 151 of the catalogue or go to www.mizar.it

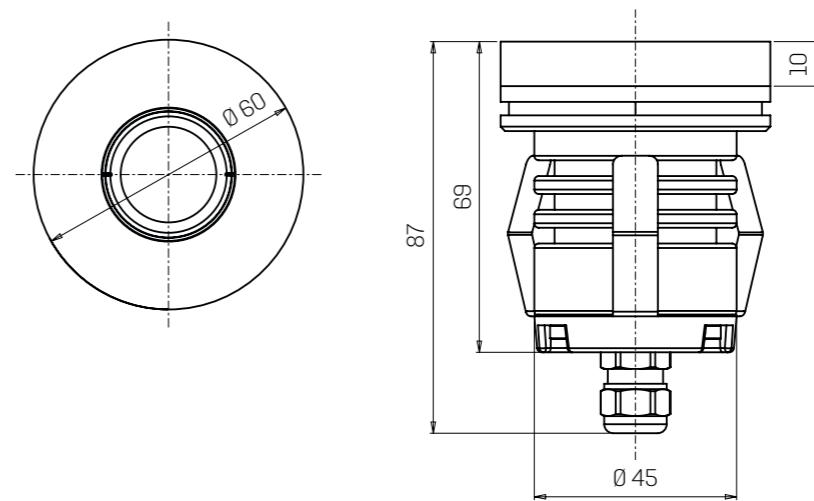


VITRUM 2.0

Inground **walk-over** luminaire, suitable for **outdoor** and **underwater** use (IP66/IP68) with operating temperature range: **-20°C / +50°C**.
 It's characterized by a **tempered glass screen without a metal frame, transparent**, with black silk-screened edge. The body is in black anodized anticorodal aluminium. The light source consists of a single 3W power LED chip powered by 24Vdc constant voltage. The essential design makes it **ideal** as a lighting fixture for elegant indoor and outdoor environments, as well as for situations with high humidity (spa, cellars). The luminous flux up to **165 lm** (3000K), with 10°, 25° and 40° circular emission angles and 10°x 45° **elliptical**. The source is set back for greater visual comfort. Different **colour temperatures** are available: 2700K, 3000K, 4000K with CRI > 90. Vitrum 2.0 is equipped with the **IdroSkud®** system for the protection of electronic components from voltage spikes, polarity reversal (protection) and water infiltration. Optional anti-glare options (honeycomb and louvre) and installation accessories are provided (draining and slim draining outer case, plasterboard ring). The length of the electrical cable is 0.4m; on request: 1.5m, 5m, 10m, 15m.

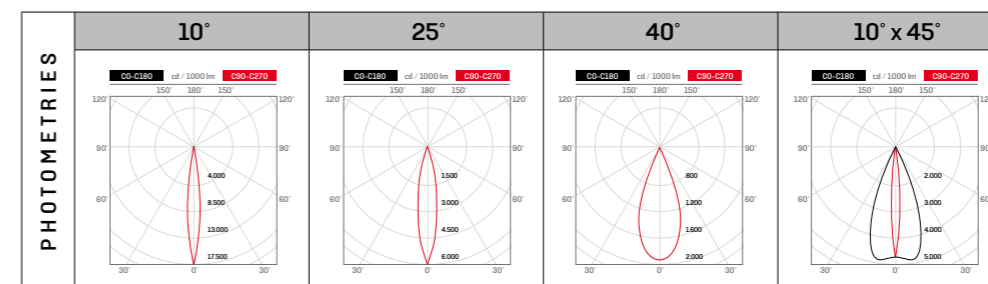
power	3W - single chip Power Led
power supply	24V constant voltage
insulation class	III class
IP rating	IP66 / IP68
IK rating	IK10
operating temperature	-20°C / +50°C
size	Ø 60 x 87 mm
light source flux	236 lm (3000K)
effective flux	up to 165 lm (3000K)
beam angles	circular 10° - 25° - 40°; elliptical 10° x 45°
CCT	2700K - 3000K - 4000K
CRI	> 90
BIN selection	2 Step MacAdam

lifetime	L80 B10 50.000 h
body	anticorodal 6082 black anodized 20µ aluminium
screen	tempered extra-clear glass - 10 mm black printed
installation	with outer case
power cable	0,4 m H05RN - F 2X0,75 mm ²
electrical connection	parallel
weight	278 g
protection system	IdroSkud® System - polarity reversal protection - voltage spikes protection - water infiltration protection
made in	ITALY



OPTIONALS	honeycomb	louvre	cabla m 0,4, 1,5, 5, 10, 15

ACCESSORIES	draining outer case VITZZZ001	slim draining outer case VITZZZ004	plasterboard ring VITZZZ007
	mm Ø 104 x 138	mm Ø 80 x 116,5	under definition
power supply for recommended models see page 72 of the catalogue			



PRODUCT CODE CONFIGURATION



family	
VIT	MIZAR VITRUM
model	
02	VITRUM 2.0
CCT	
C	2700 K
D	3000 K
F	4000 K
CRI	
C	> 90
beam angles	
S	10°
M	25°
L	40°
E	10°x45° ell.
optionals	
0	no one
1	honeycomb
2	louvre
glass finishing	
00	black silkscreen
cable length	
A	0,4 m
C	1,5 m
H	5 m
D	10 m
E	15 m
variant	
00	standard

For correct code composition see instructions on page 151 of the catalogue or go to www.mizar.it





VITRUM 2.1

Inground **walk-over** luminaire, suitable for **outdoor** and **underwater** use (IP66/IP68) with operating temperature range: **-20°C / +50°C**.

It's characterized by a **tempered glass screen without a metal frame with satin finish**.

The body is in black anodized anticorodal aluminium. The light source consists of a single 3W power LED chip powered by 24Vdc constant voltage.

The essential design makes it **ideal** as a lighting fixture for elegant indoor and outdoor environments, as well as for situations with high humidity (spa, cellars).

The luminous flux up to **125 lm** (3000K), with widespread emission.

The source is set back for greater visual comfort.

Different **colour temperatures** are available: 2700K, 3000K, 4000K with CRI > 90.

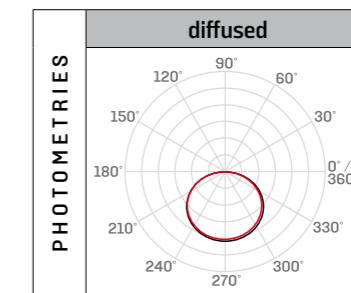
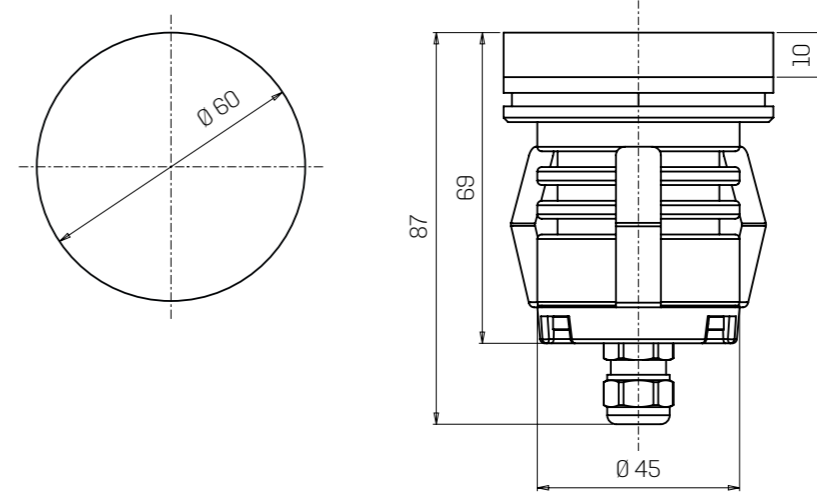
Vitrum 2.1 is equipped with the **IdroSkud®** system for the protection of electronic components from voltage spikes, polarity reversal (protection) and water infiltration.

Optional for installation accessories are provided (draining and slim draining outer case, plasterboard ring).

The length of the electrical cable is 0.4m; on request: 1.5m, 5m, 10m, 15m.

power	3W - single chip Power Led
power supply	24V constant voltage
insulation class	III class
IP rating	IP66 / IP68
IK rating	IK10
operating temperature	-20°C / +50°C
size	Ø 60 x 93 mm
light source flux	236 lm (3000K)
effective flux	up to 125 lm (3000K)
beam angles	diffused
CCT	2700K - 3000K - 4000K
CRI	> 90
BIN selection	2 Step MacAdam

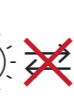
lifetime	L80 B10 50.000 h
body	anticorodal 6082 black anodized 20µ aluminium
screen	tempered extra-clear glass - 10 mm satin finish
installation	with outer case
power cable	H05RN - F 2X0,75 mm²
electrical connection	parallel
weight	278 g
protection system	IdroSkud® System _ polarity reversal protection _ voltage spikes protection _ water infiltration protection
made in	ITALY



ACCESSORIES	draining outer case	slim draining outer case	plasterboard ring
	VITZZZ001	VITZZZ004	VITZZZ007
	mm Ø 104 x 138	mm Ø 80 x 116,5	under definition
power supply for recommended models see page 72 of the catalogue			



This product contains a light source of energy efficiency **F** (data referring to models with CCT 3000K)



VITRUM 2.1

PRODUCT CODE CONFIGURATION



family	
VIT	MIZAR VITRUM
model	
02	VITRUM 2.1
CCT	
C	2700 K
D	3000 K
F	4000 K
CRI	
C	> 90
beam angles	
D	diffused
optionals	
O	no one
glass finishing	
01	black silkscreen
cable length	
A	0,4 m
C	1,5 m
H	5 m
D	10 m
E	15 m
variant	
00	standard

For correct code composition see instructions on page 151 of the catalogue or go to www.mizar.it



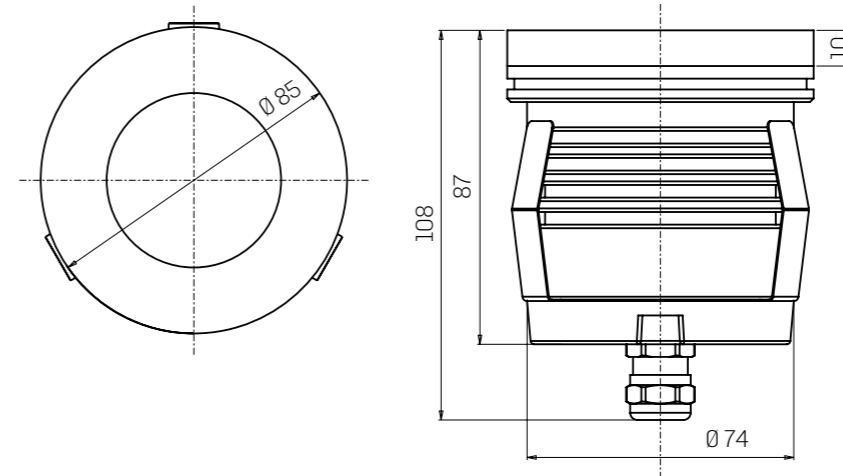


VITRUM 3.0

Inground **walk-over** luminaire, suitable for **outdoor** and **underwater** use (IP66/IP68) with operating temperature range: **-20°C / +50°C**.
 It's characterized by a **tempered glass screen without a metal frame, transparent**, with black silk-screened edge. The body is in black anodized anticorrosive aluminium. The light source consists of a single 7W power LED chip powered by 24Vdc constant voltage.
 The essential design makes it **ideal** as a lighting fixture for elegant indoor and outdoor environments, as well as for situations with high humidity (spa, cellars). The luminous flux up to **316 lm** (3000K), with 5°, 20° and 60° circular emission angles and 15°x 60° **elliptical**. The source is set back for greater visual comfort.
 Different **colour temperatures** are available: 2700K, 3000K, 4000K with CRI > 90.
 Vitrum 3.0 is equipped with the **IdroSkud®** system for the protection of electronic components from voltage spikes, polarity reversal (protection) and water infiltration.
 Optional anti-glare options (honeycomb and louvre) and installation accessories are provided (draining and slim draining outer case, plasterboard ring).
 The length of the electrical cable is 0.4m; on request: 1.5m, 5m, 10m, 15m.

power	7W - single chip Power Led
power supply	24V constant voltage
insulation class	III class
IP rating	IP66 / IP68
IK rating	IK10
operating temperature	-20°C / +50°C
size	Ø 85 x 108 mm
light source flux	380 lm (3000K)
effective flux	up to 316 lm (3000K)
beam angles	circular 5° - 20° - 60°; elliptical 15° x 60°
CCT	2700K - 3000K - 4000K
CRI	> 90
BIN selection	2 Step MacAdam

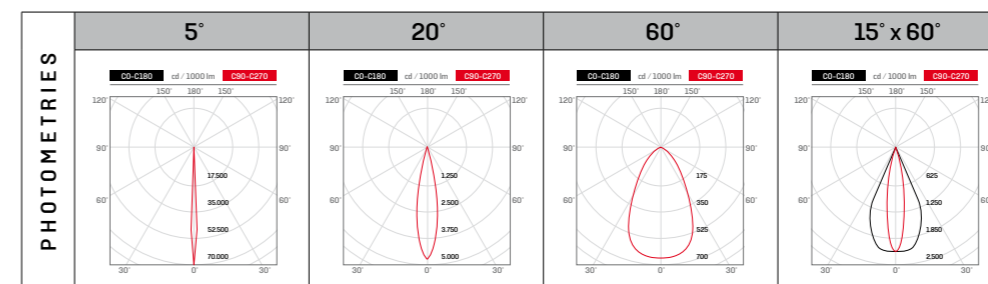
lifetime	L80 B10 50.000 h
body	anticorrosive 6082 black anodized 20µ aluminium
screen	tempered extra-clear glass - 10 mm black printed
installation	with outer case
power cable	0,4 m H05RN - F 2X0,75 mm ²
electrical connection	parallel
weight	632 g
protection system	IdroSkud® System - polarity reversal protection - voltage spikes protection - water infiltration protection
made in	ITALY



OPTIONALS	honeycomb	louvre	cable m 0,4, 1,5, 5, 10, 15

ACCESSORIES	draining outer case VITZZZ002	slim draining outer case VITZZZ005	plasterboard ring VITZZZ008
	mm Ø 140 x 158	mm Ø 100 x 148,3	under definition

power supply
for recommended models see page 72 of the catalogue

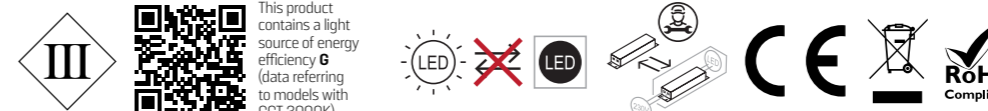


PRODUCT CODE CONFIGURATION



family	
VIT	MIZAR VITRUM
model	
03	VITRUM 3.0
CCT	
C	2700 K
D	3000 K
F	4000 K
CRI	
C	> 90
beam angles	
S	5°
M	20°
L	60°
E	15°x60° ell.
optionals	
0	no one
1	honeycomb
2	louvre
glass finishing	
00	black silkscreen
cable length	
A	0,4 m
C	1,5 m
H	5 m
D	10 m
E	15 m
variant	
00	standard

For correct code composition see instructions on page 151 of the catalogue or go to www.mizar.it





VITRUM 3.1

Inground **walk-over** luminaire, suitable for **outdoor** and **underwater** use (IP66/IP68) with operating temperature range: **-20°C / +50°C**.

It's characterized by a **tempered glass screen without a metal frame with satin finish**.

The body is in black anodized anticorodal aluminium. The light source consists of a single 7W power LED chip powered by 24Vdc constant voltage.

The essential design makes it **ideal** as a lighting fixture for elegant indoor and outdoor environments, as well as for situations with high humidity (spa, cellars).

The luminous flux up to **290 lm** (3000K), with widespread emission.

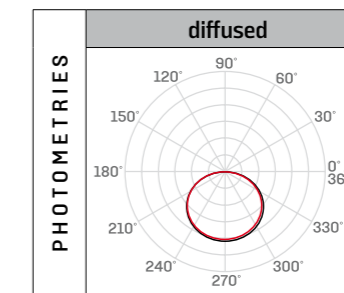
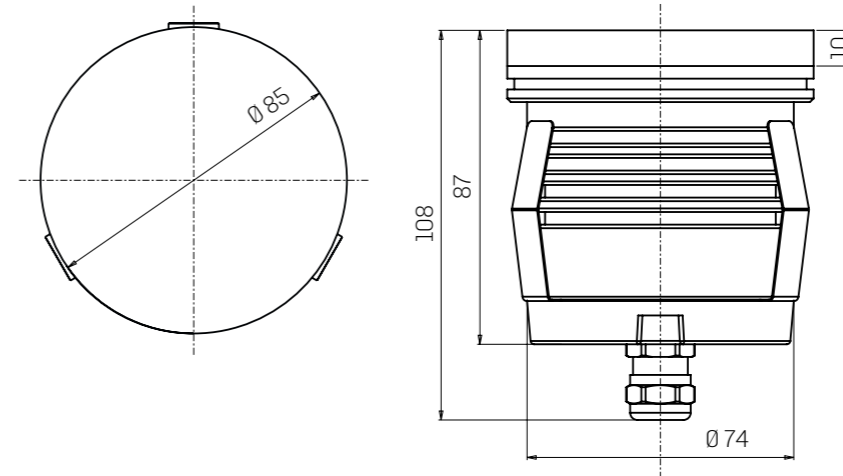
The source is set back for greater visual comfort.

Different colour temperatures are available: 2700K, 3000K, 4000K with CRI > 90.

Vitrum 3.1 is equipped with the **IdroSkud®** system for the protection of electronic components from voltage spikes, polarity reversal (protection) and water infiltration. Optional for installation accessories are provided (draining and slim draining outer case, plasterboard ring). The length of the electrical cable is 0.4m; on request: 1.5m, 5m, 10m, 15m.

power	7W - single chip Power Led
power supply	24V constant voltage
insulation class	III class
IP rating	IP66 / IP68
IK rating	IK10
operating temperature	-20°C / +50°C
size	Ø 85 x 108 mm
light source flux	380 lm (3000K)
effective flux	up to 290 lm (3000K)
beam angles	diffused
CCT	2700K - 3000K - 4000K
CRI	> 90
BIN selection	2 Step MacAdam

lifetime	L80 B10 50.000 h
body	anticorodal 6082 black anodized 20µ aluminium
screen	tempered extra-clear glass - 10 mm satin finish
installation	with outer case
power cable	H05RN - F 2X0,75 mm ²
electrical connection	parallel
weight	632 g
protection system	IdroSkud® System _ polarity reversal protection _ voltage spikes protection _ water infiltration protection
made in	ITALY



ACCESSORIES	draining outer case	slim draining outer case	plasterboard ring
	VITZZZ002	VITZZZ005	VITZZZ008
	mm Ø 140 x 158	mm Ø 100 x 148,3	under definition
	power supply for recommended models see page 72 of the catalogue		

VITRUM 3.1

PRODUCT CODE CONFIGURATION



family	
VIT	MIZAR VITRUM
model	
03	VITRUM 3.1
CCT	
C	2700 K
D	3000 K
F	4000 K
CRI	
C	> 90
beam angles	
D	diffused
optionals	
O	no one
glass finishing	
O1	black silkscreen
cable length	
A	0,4 m
C	1,5 m
H	5 m
D	10 m
E	15 m
variant	
00	standard

For correct code composition see instructions on page 151 of the catalogue or go to www.mizar.it



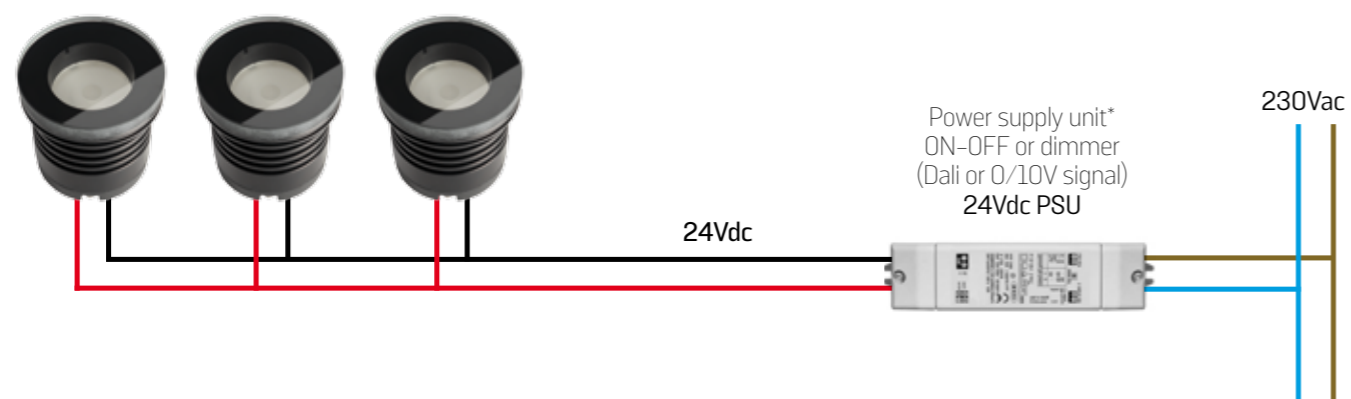


VITRUM

PARALLEL ELECTRICAL CONNECTION

ON-OFF OR DIMMER SYSTEM (DALI OR 0-10V SIGNAL)

All lights are signed for parallel connection with ON-OFF or dimmer power supply units



* The power supply unit must have sufficient power to supply the number of lights in the circuit plus a tolerance of 30% to handle the inrush current

SUGGESTED POWER SUPPLY	code	OUT tension	output max	W max	IP	supported spotlight model	number of spotlights	
	MID0019	24V	600mA dc	14,4 W	IP67	VITRUM 1.0 - 1.1	5	
VITRUM 2.0 - 2.1						3		
VITRUM 3.0 - 3.1						1		
MID0020	24V	1500mA dc	24 W	IP67	VITRUM 1.0 - 1.1	11		
					VITRUM 2.0 - 2.1	10		
					VITRUM 3.0 - 3.1	3		
MID0021	DALI 24V	1000mA dc	24 W	IP67	VITRUM 1.0 - 1.1	9		
					VITRUM 2.0 - 2.1	6		
					VITRUM 3.0 - 3.1	2		





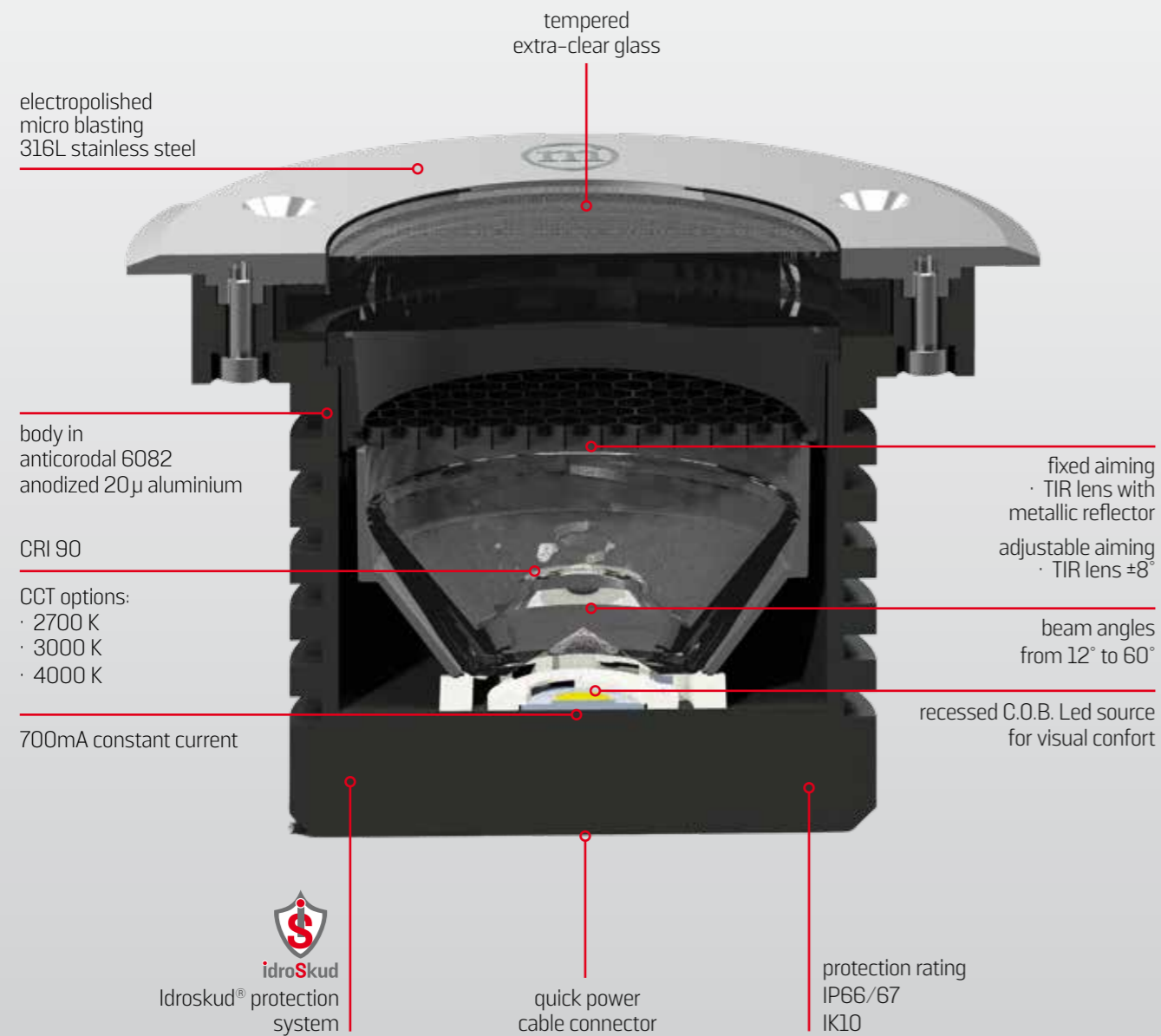
ACUS

OUTDOOR DRIVE-OVER
INGROUNDS



ACUS

CONSTRUCTION FEATURES



ACUS

FAMILY RANGE

ACUS 1.0	ACUS 1.1	ACUS 2.0
fixed aiming with lens	fixed aiming with reflector	adjustable aiming with lens



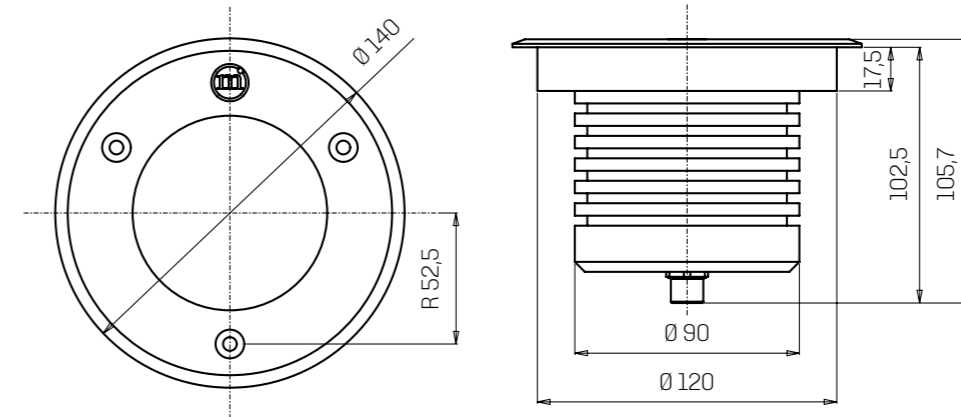
ACUS 1.0

Inground luminaire, **drive-over**, suitable for **outdoor** use (IP66/IP67), with an operating temperature range of **-20°C / +50°C**.
 To reduce weight and ensure resistance to wear, the body is made of **aluminium** and the round ring nut of **steel**.
 The light source consists of C.O.B LEDs supplied with constant current, max. 700mA, for a maximum power of **25W**.
 The luminous flux up to **2005 lm** (3000K) makes it **ideal** for marking pedestrian and vehicle **paths** or illuminating façades and architectural details thanks to the optics with TIR lens and beam angles: 14°, 25°, 40°.
 The source is recessed for greater visual comfort.
 Light **colour temperature** available in variants: 2700K, 3000K, 4000K with CRI > 90.
 Acus 1.0 is equipped with the **IdroSkud®** system to protect electronic components from voltage spikes, polarity reversal and water infiltration.
 Options for anti-glare (honeycomb and louvre) and installation accessories (drive-over outer case) are provide.

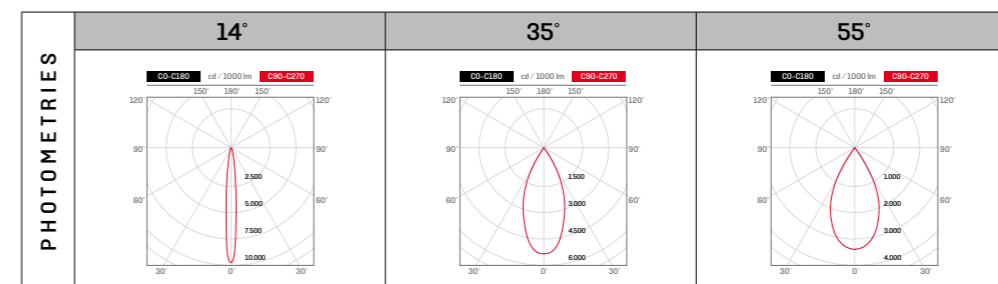


power	25W - C.O.B. Leds
power supply	700mA constant current
insulation class	III class
IP rating	IP66 / IP67
IK rating	IK 10
operating temperature	-20°C / +50°C
size	Ø 140 x 106 mm
light source flux	2652 lm (3000K)
effective flux	up to 2005 lm (3000K)
optics	TIR lens
beam angles	14° - 35° - 55°
CCT	2700K - 3000K - 4000K
CRI	> 90
BIN selection	3 Step MacAdam

lifetime	L80 B10 50.000 h
body materials	anticorodal 6082 black anodized aluminium
frame materials	electropolished shot peened 316L stainless steel
screen	tempered extra-clear glass 12 mm thick
installation	with outer case
power cable	connection via quick connector supplied
electrical connection	serial connection
weight	1325 g
protection system	IdroSkud® System _ polarity reversal protection _ voltage spikes protection _ water infiltration protection
made in	ITALY



OPTIONALS	honeycomb	louvre	ACCESSORIES	drive-over outer case
				ACUZZZ000
				Ø 126x189.5 mm
				power supply for recommended models see page 84 of the catalogue



family	ACU	MIZAR ACUS
model	00	ACUS 1.0
CCT	C	2700 K
	D	3000 K
	F	4000 K
CRI	C	> 90
beam angles	S	14°
	M	35°
	L	55°
optionals	0	no one
	2	honeycomb
	3	louvre
frame finishing	00	stainless steel
cable length	Z	connector
variant	00	standard

For correct code composition see instructions on page 151 of the catalogue or go to www.mizar.it





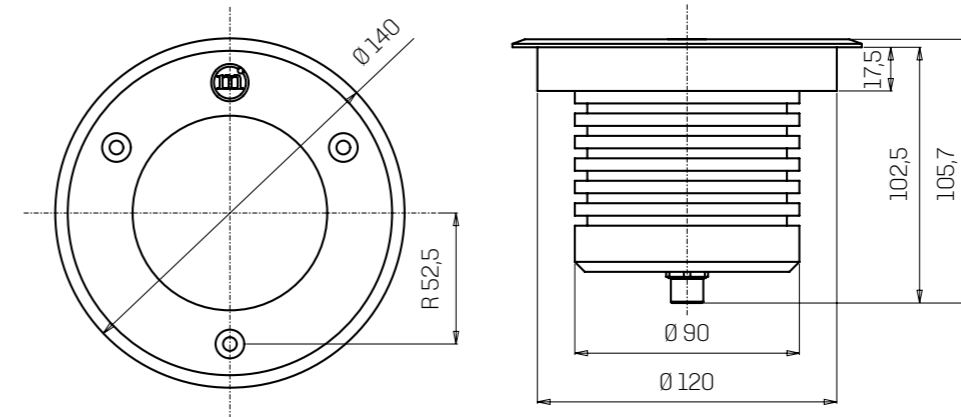
ACUS 1.1

Inground luminaire, **drive-over**, suitable for **outdoor** use (IP66/IP67), with an operating temperature range of **-20°C / +50°C**.
 To reduce weight and ensure resistance to wear, the body is made of **aluminium** and the round frame of **steel**.
 The light source consists of C.O.B LEDs supplied with Constant current, max. 700mA, for a maximum power of **25W**.
 The luminous flux up to **2165 lm** (3000K) makes it **ideal** for marking pedestrian and vehicle **paths** or illuminating façades and architectural details thanks to the optics with reflector and beam angles: 12°, 25°, 40°, 60°.
 The source is recessed for greater visual comfort.
 Light **colour temperature** available in variants: 2700K, 3000K, 4000K with CRI > 90.
 Acus 1.1 is equipped with the **IdroSkud®** system to protect electronic components from voltage spikes, polarity reversal and water infiltration.
 Options for anti-glare (honeycomb and louver) and installation accessories (drive-over outer case) are provided.

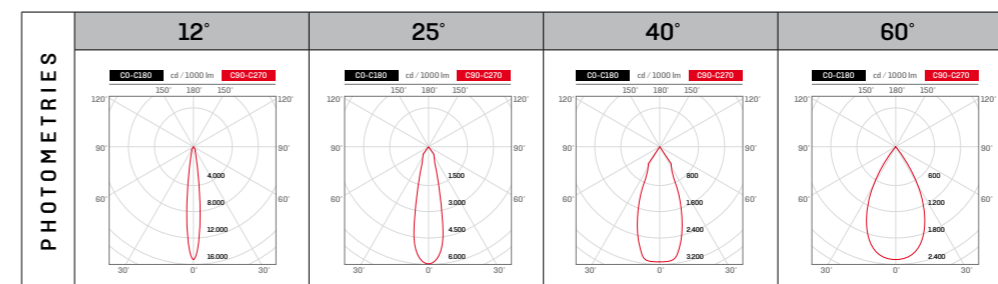


power	25W - C.O.B. Leds
power supply	700mA constant current
insulation class	III class
IP rating	IP66 / IP67
IK rating	IK10
operating temperature	-20°C / +50°C
size	Ø 140 x 106 mm
light source flux	2652 lm (3000K)
effective flux	up to 2165 lm (3000K)
optics	fixed optics with reflector
beam angles	12° - 25° - 40° - 60°
CCT	2700K - 3000K - 4000K
CRI	> 90
BIN selection	3 Step MacAdam

lifetime	L80 B10 50.000 h
body materials	anticorodal 6082 black anodized aluminium
frame materials	electropolished shot peened 316L stainless steel
screen	tempered extra-clear glass 12 mm thick
installation	with outer case
power cable	connection via quick connector supplied
electrical connection	serial connection
weight	1300 g
protection system	IdroSkud® System _ polarity reversal protection _ voltage spikes protection _ water infiltration protection
made in	ITALY



OPTIONALS	honeycomb	louvre	ACCESSORIES	drive-over outer case
				ACUZZZ000
				Ø 126x189.5 mm
				power supply for recommended models see page 84 of the catalogue



family	ACU	MIZAR ACUS
model	O1	ACUS 1.1
CCT	C	2700 K
	D	3000 K
	F	4000 K
CRI	C	> 90
beam angles	S	12°
	M	25°
	L	40°
	W	60°
optionals	0	no one
	2	honeycomb
	3	louvre
frame finishing	OO	stainless steel
cable length	Z	connector
variant	OO	standard

For correct code composition see instructions on page 151 of the catalogue or go to www.mizar.it





ACUS 2.0

Inground luminaire, **drive-over**, suitable for **outdoor** use (IP66/IP67), with an operating temperature range of **-20°C / +50°C**.

To reduce weight and ensure resistance to wear, the body is made of **aluminium** and the round frame of **steel**. The light source consists of C.O.B LEDs supplied with constant current, max. 700mA, for a maximum power of **13W**.

The luminous flux up to **980 lm** (3000K) makes it **ideal** for marking pedestrian and vehicle **paths** or illuminating façades and architectural details thanks to optics with $\pm 8^\circ$ adjustable TIR lens and beam angles: 15°, 26°, 60°.

The source is recessed for greater visual comfort. Different **colour temperatures** are available: 2700K, 3000K, 4000K with CRI > 90.

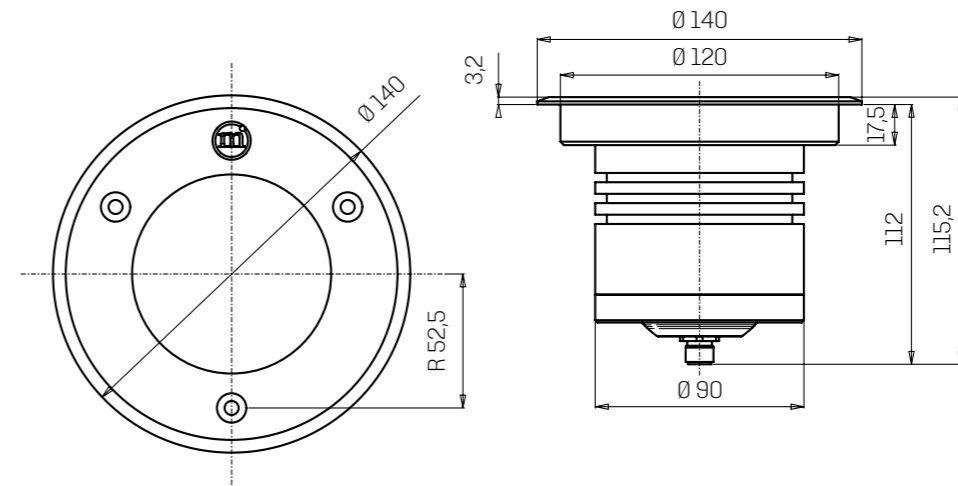
Acus 2.0 is equipped with the **IdroSkud®** system to protect electronic components from voltage spikes, polarity reversal and water infiltration.

Options for anti-glare (honeycomb) and installation accessories (drive-over outer case) are provide.

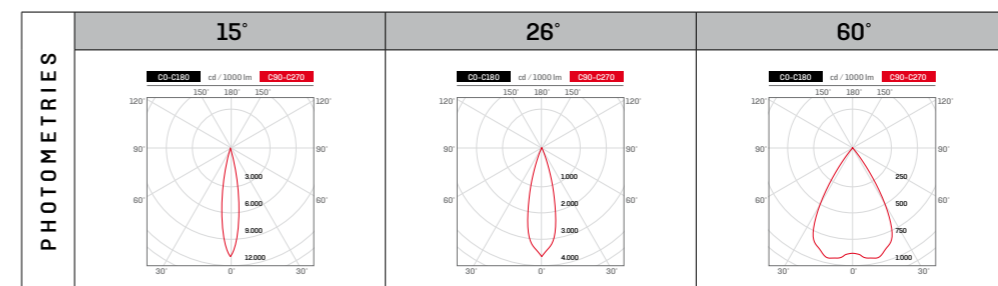


power	13W - C.O.B. Leds
power supply	700mA constant current
insulation class	III class
IP rating	IP66 / IP67
IK rating	IK 10
operating temperature	-20°C / +50°C
size	Ø 140 x 106 mm
light source flux	1313 lm (3000K)
effective flux	up to 980 lm (3000K)
optics	$\pm 8^\circ$ tiltable TIR lens
beam angles	15° - 26° - 60°
CCT	2700K - 3000K - 4000K
CRI	> 90
BIN selection	3 Step MacAdam

lifetime	L80 B10 50.000 h
body materials	anticorodal 6082 black anodized aluminium
frame materials	electropolished shot peened 316L stainless steel
screen	tempered extra-clear glass 12 mm thick
installation	with outer case
power cable	connection via quick connector supplied
electrical connection	serial connection
weight	1650 g
protection system	IdroSkud® System _ polarity reversal protection _ voltage spikes protection _ water infiltration protection
made in	ITALY



OPTIONALS	honeycomb	
	drive-over outer case	
ACCESSORIES	ACUZZ000	
	power supply for recommended models see page 84 of the catalogue	



ACUS 2.0

PRODUCT CODE CONFIGURATION



family	MIZAR ACUS
model	ACUS 2.0
CCT	2700 K
D	3000 K
F	4000 K
CRI	> 90
beam angles	15°
M	26°
L	60°
optionals	no one
2	honeycomb
frame finishing	stainless steel
cable length	connector
variant	standard

For correct code composition see instructions on page 151 of the catalogue or go to www.mizar.it



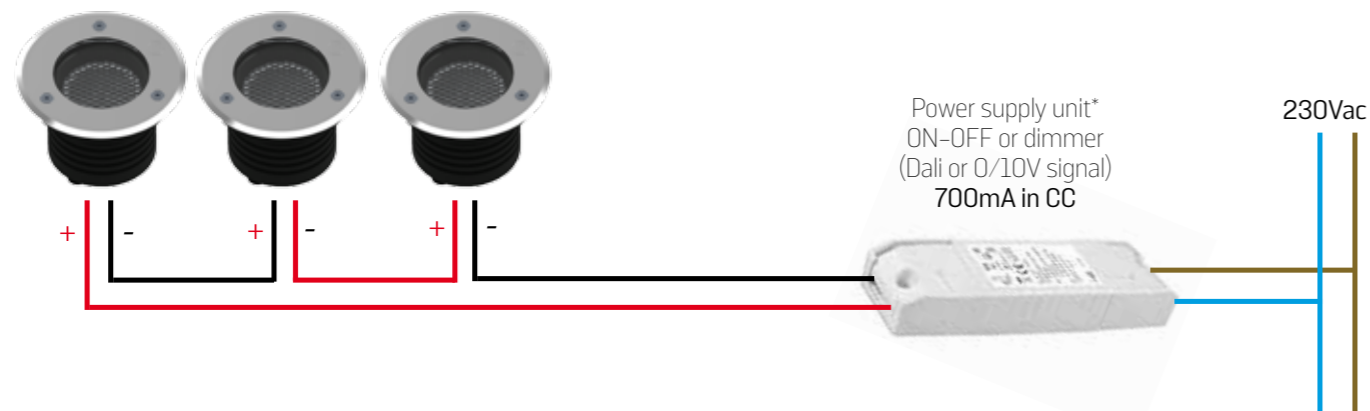


ACUS

IN-SERIES ELECTRICAL CONNECTION

ON-OFF OR DIMMER SYSTEM (DALI OR 0-10V SIGNAL)

All lights are signed for in-series connection with ON-OFF or dimmer power supply units



* The power supply unit must have sufficient power to supply the number of lights in the circuit plus a tolerance of 30% to handle the inrush current

SUGGESTED POWER SUPPLY	code	OUT tension	output max	W max	IP	supported spotlight model	number of spotlights	
	MID0022	5-44V	700mA	30 W	IP20	ACUS 1.0 - 1.1	1	
					ACUS 2.0	2		
MID0024	25-85V	350-700mA	15/70 W	IP20	ACUS 1.0 - 1.1	2		
					ACUS 2.0	4		
MID0025	10-54V DALI-nfc	150-1050mA	1.5/38 W	IP20	ACUS 1.0 - 1.1	1		
					ACUS 2.0	2		
MID0026	10-50 V	700 mA	15/70 W	IP68	ACUS 1.0 - 1.1	1		
					ACUS 2.0	2		
MID0027	2-49V DALI	700 mA	1/30 W	IP68	ACUS 1.0 - 1.1	1		
					ACUS 2.0	2		





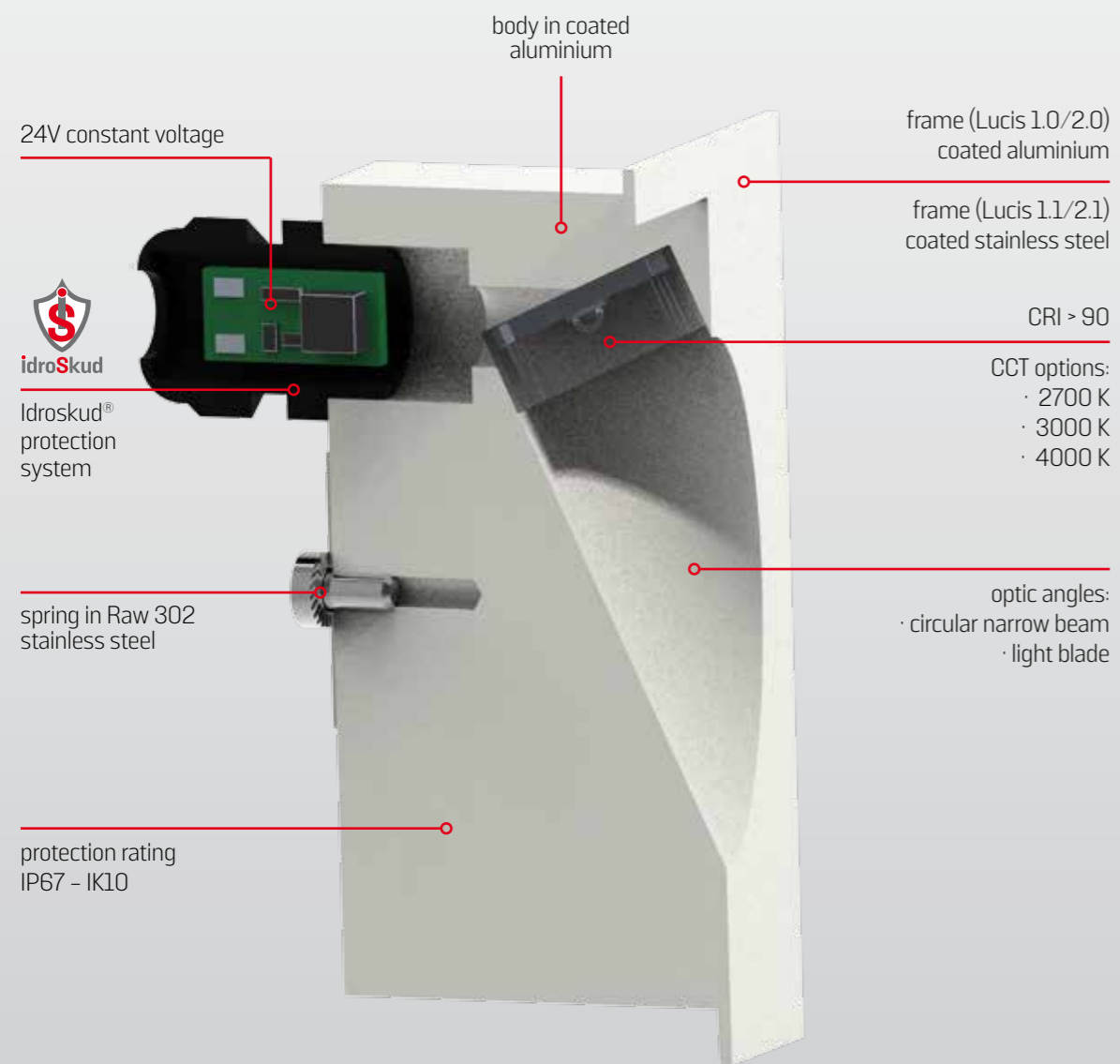
LUCIS

WALL RECESSED STEP LIGHTS



LUCIS

CONSTRUCTION FEATURES



LUCIS

FAMILY RANGE





LUCIS 1.0

Wall-recessed fixture, suitable for **outdoor** use (IP66/IP67), with a wide operating temperature range: **-20°C / +50°C**.

The body is made of **aluminium** protected by an epoxy polyester paint that guarantees a corrosion resistance of 1500 hours in salt spray.

Four finishes are available: white RAL9003, black RAL9005, anthracite RAL7016 and CORTEN.

The light source consists of a single **2W** power LED chip powered at 24V constant voltage.

The rectangular frame has an oval opening for a circular diffuse light beam oriented towards the floor.

The luminous flux up to **25 lm** (3000K) and the design make it **ideal** as a marker light for footpaths or stairways.

Different **colour temperatures** are available: 2700K, 3000K, 4000K with CRI > 90.

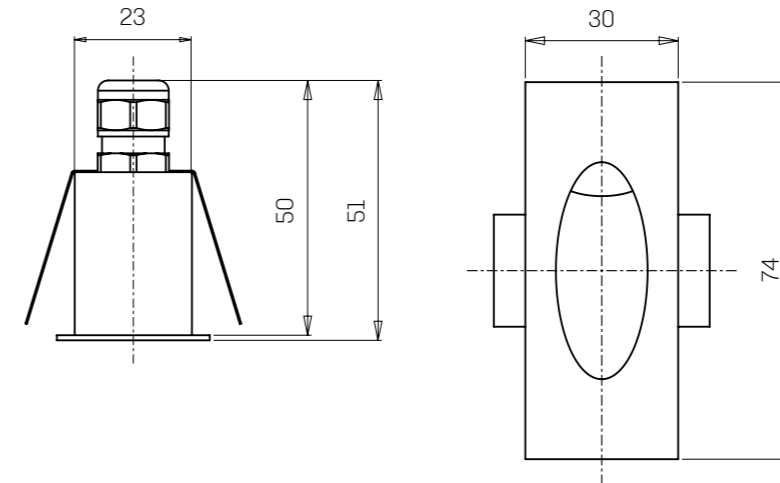
Lucis 1.0 is equipped with the **IdroSkud®** system to protect electronic components from voltage spikes, polarity reversal and water infiltration.

Installation accessories (wall outer case and external wall insulation outer case) are provided.

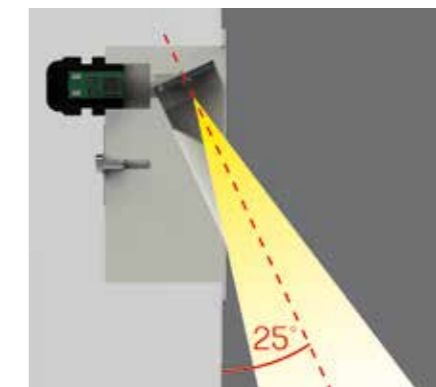
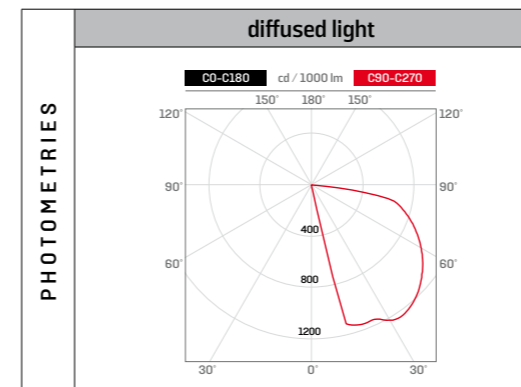


power	2W - single Power Led
power supply	24V constant voltage
insulation class	III class
IP rating	IP66 / IP67
IK rating	IK 10
operating temperature	-20°C / +50°C
size	30 x 74 x 50 mm
light source flux	175 lm (3000K)
effective flux	up to 25 lm (3000K)
beam angles	circular narrow beam
CCT	2700K - 3000K - 4000K
CRI	> 90
BIN selection	3 Step MacAdam
lifetime	L80 B10 50.000 h

body materials	aluminium anticorodal 6082
finishing	first coat with protective primer followed by epoxy polyester for corrosion resistance guaranteeing 1500h in salt spray
colours	- white RAL9003 - black RAL9005 - anthracite RAL7016 - CORTEN
spring	302 stainless steel raw
mounting	with outer case
power cable	0,4 m FR5FOEM7 - AD8 2X0.5 mm ²
electrical connection	parallel
weight	135 g
protection system	IdroSkud® System _ polarity reversal protection _ voltage spikes protection _ water infiltration protection
Made in	ITALY



ACCESSORIES	wall outer case	external wall insulation outer case
	LUCZZZ000	LUCZZZ001
	29x68x72 mm	29x68x72 mm with flaps
power supply for recommended models see page 98 of the catalogue		



family	MIZAR LUCIS
model	LUCIS 1.0
CCT	2700 K 3000 K 4000 K
CRI	> 90
beam angles	no one
optionals	no one
finishing	white RAL9003 black RAL9005 CORTEN anthracite RAL7016
cable length	0,4m
variant	standard

For correct code composition see instructions on page 151 of the catalogue or go to www.mizar.it





LUCIS 1.1

Wall-recessed fixture, suitable for **outdoor** use (IP66/IP67), with a wide operating temperature range: **-20°C / +50°C**.

The body is made of **aluminium** protected by an epoxy polyester paint that guarantees a corrosion resistance of 1500 hours in salt spray.

Four finishes are available: white RAL9003, black RAL9005, anthracite RAL7016 and CORTEN.

The light source consists of a single **2W** power LED chip powered at 24V constant voltage.

The rectangular frame has a blade-shaped opening for a linear diffuse light beam oriented towards the floor.

The luminous flux up to **20 lm** (3000K) and the design make it **ideal** as a marker light for footpaths or stairways.

Different **colour temperatures** are available: 2700K, 3000K, 4000K with CRI > 90.

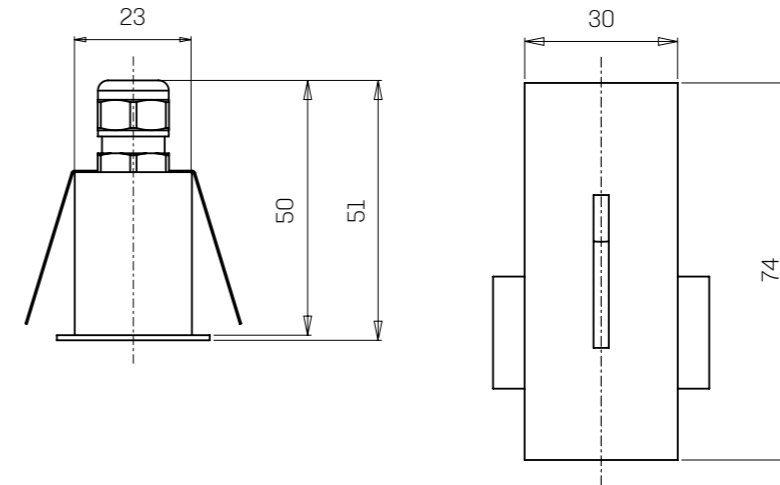
Lucis 1.1 is equipped with the **IdroSkud®** system to protect electronic components from voltage spikes, polarity reversal and water infiltration.

Installation accessories (wall outer case and external wall insulation outer case) are provided.

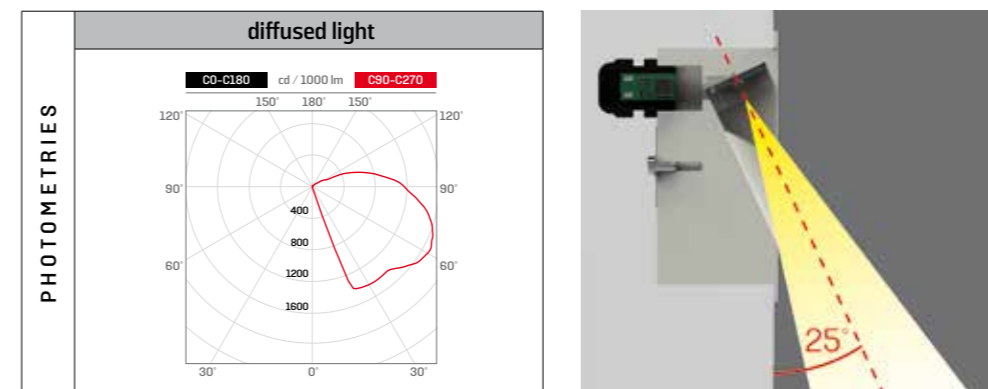


power	2W - single Power Led
power supply	24V constant voltage
insulation class	III class
IP rating	IP66 / IP67
IK rating	IK 10
operating temperature	-20°C / +50°C
size	30 x 74 x 50 mm
light source flux	175 lm (3000K)
effective flux	up to 20 lm (3000K)
beam angles	light blade
CCT	2700K - 3000K - 4000K
CRI	> 90
BIN selection	3 Step MacAdam
lifetime	L80 B10 50.000 h

body materials	aluminium anticorodal 6082
frame materials	316L stainless steel
finishing	first coat with protective primer followed by epoxy polyester for corrosion resistance guaranteeing 1500h in salt spray
colours	- white RAL9003 - black RAL9005 - anthracite RAL7016 - CORTEN
spring	302 stainless steel raw
mounting	with outer case
power cable	0,4 m FR5FOEM7 - AD8 2X0.5 mm ²
electrical connection	parallel
weight	169 g
protection system	IdroSkud® System _ polarity reversal protection _ voltage spikes protection _ water infiltration protection
Made in	ITALY



ACCESSORIES	wall outer case	external wall insulation outer case
	LUCZZZ000	LUCZZZ001
	29x68x72 mm	29x68x72 mm with flaps
power supply for recommended models see page 98 of the catalogue		



family	
LUC	MIZAR LUCIS
model	
O1	LUCIS 1.1
CCT	
C	2700 K
D	3000 K
F	4000 K
CRI	
C	> 90
beam angles	
Z	no one
optionals	
O	no one
finishing	
WO	white RAL9003
BO	black RAL9005
CT	CORTEN
GO	anthracite RAL7016
cable length	
A	0,4m
variant	
OO	standard

For correct code composition see instructions on page 151 of the catalogue or go to www.mizar.it



PRODUCT CODE CONFIGURATION



family	
LUC	MIZAR LUCIS
model	
02	LUCIS 2.0
CCT	
C	2700 K
D	3000 K
F	4000 K
CRI	
C	> 90
beam angles	
Z	no one
optionals	
O	no one
finishing	
WO	white RAL9003
BO	black RAL9005
CT	CORTEN
GO	anthracite RAL7016
cable length	
A	0,4m
variant	
00	standard



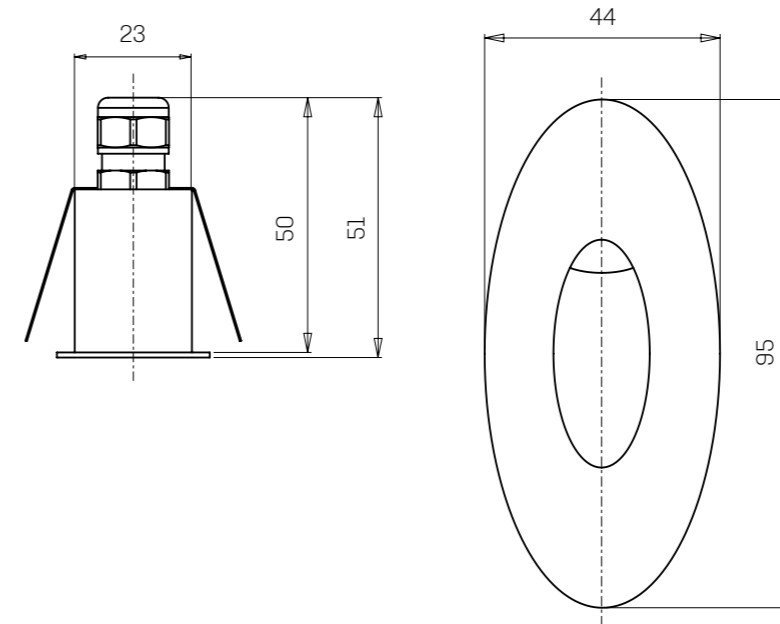
LUCIS 2.0

Wall-recessed fixture, suitable for **outdoor** use (IP66/IP67), with a wide operating temperature range: **-20°C / +50°C**. The body is made of **aluminium** protected by an epoxy polyester paint that guarantees a corrosion resistance of 1500 hours in salt spray. Four finishes are available: white RAL9003, black RAL9005, anthracite RAL7016 and CORTEN. The light source consists of a single **2W** power LED chip powered at 24V constant voltage. The oval frame has an oval opening for a circular diffuse light beam oriented towards the floor. The luminous flux up to **25 lm** (3000K) and the design make it **ideal** as a marker light for footpaths or stairways. Different **colour temperatures** are available: 2700K, 3000K, 4000K with CRI > 90. Lucis 2.0 is equipped with the **IdroSkud®** system to protect electronic components from voltage spikes, polarity reversal and water infiltration. Installation accessories (wall outer case and external wall insulation outer case) are provided.

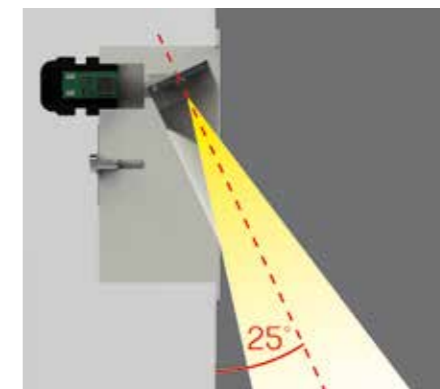
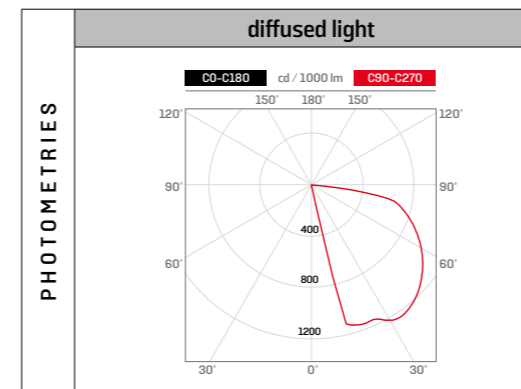


power	2W - single Power Led
power supply	24V constant voltage
insulation class	III class
IP rating	IP66 / IP67
IK rating	IK 10
operating temperature	-20°C / +50°C
size	44 x 95 x 50 mm
light source flux	175 lm (3000K)
effective flux	up to 25 lm (3000K)
beam angles	circular narrow beam
CCT	2700K - 3000K - 4000K
CRI	> 90
BIN selection	3 Step MacAdam
lifetime	L80 B10 50.000 h

body materials	aluminium anticorodal 6082
finishing	first coat with protective primer followed by epoxy polyester for corrosion resistance guaranteeing 1500h in salt spray
colours	- white RAL9003 - black RAL9005 - anthracite RAL7016 - CORTEN
spring	302 stainless steel raw
mounting	with outer case
power cable	0,4 m FR5FOEM7 - AD8 2X0.5 mm ²
electrical connection	parallel
weight	147 g
protection system	IdroSkud® System - polarity reversal protection - voltage spikes protection - water infiltration protection
Made in	ITALY



ACCESSORIES	wall outer case	external wall insulation outer case
	LUCZZ000	LUCZZ001
	29x68x72 mm	29x68x72 mm with flaps
power supply for recommended models see page 98 of the catalogue		



For correct code composition see instructions on page 151 of the catalogue or go to www.mizar.it





LUCIS 2.1

Wall-recessed fixture, suitable for **outdoor** use (IP66/IP67), with a wide operating temperature range: **-20°C / +50°C**.

The body is made of **aluminium** protected by an epoxy polyester paint that guarantees a corrosion resistance of 1500 hours in salt spray.

Four finishes are available: white RAL9003, black RAL9005, anthracite RAL7016 and CORTEN.

The light source consists of a single **2W** power LED chip powered at 24V constant voltage.

The oval frame has a blade-shaped opening for a linear diffuse light beam oriented towards the floor.

The luminous flux up to **20 lm** (3000K) and the design make it **ideal** as a marker light for footpaths or stairways.

Different **colour temperatures** are available: 2700K, 3000K, 4000K with CRI > 90.

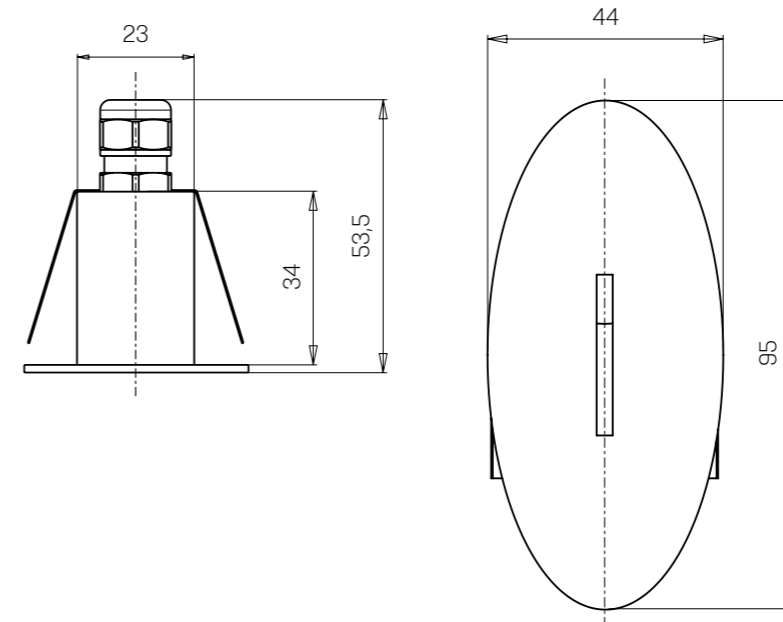
Lucis 2.1 is equipped with the **IdroSkud®** system to protect electronic components from voltage spikes, polarity reversal and water infiltration.

Installation accessories (wall outer case and external wall insulation outer case) are provided.

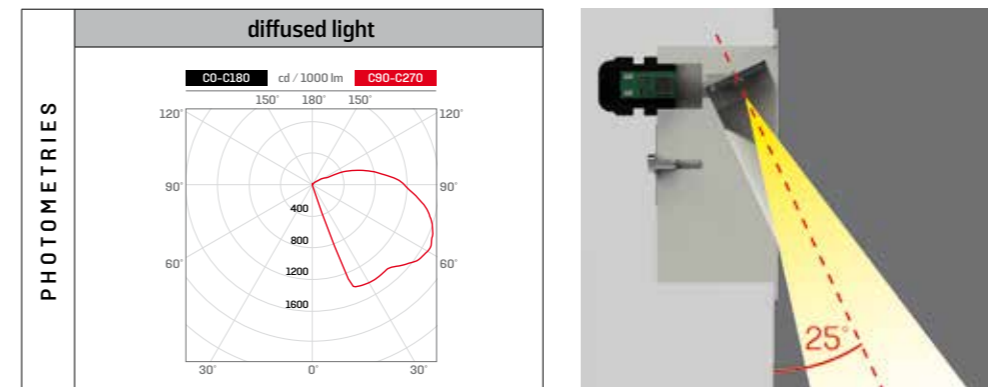


power	2W - single Power Led
power supply	24V constant voltage
insulation class	III class
IP rating	IP66 / IP67
IK rating	IK 10
operating temperature	-20°C / +50°C
size	44 x 95 x 53,5 mm
light source flux	175 lm (3000K)
effective flux	up to 20 lm (3000K)
beam angles	light blade
CCT	2700K - 3000K - 4000K
CRI	> 90
BIN selection	3 Step MacAdam
lifetime	L80 B10 50.000 h

body materials	aluminium anticorodal 6082
frame materials	316L stainless steel
finishing	first coat with protective primer followed by epoxy polyester for corrosion resistance guaranteeing 1500h in salt spray
colours	- white RAL9003 - black RAL9005 - anthracite RAL7016 - CORTEN
spring	302 stainless steel raw
mounting	with outer case
power cable	0,4 m FR5FOEM7 - AD8 2X0,5 mm ²
electrical connection	parallel
weight	185 g
protection system	IdroSkud® System _ polarity reversal protection _ voltage spikes protection _ water infiltration protection
Made in	ITALY



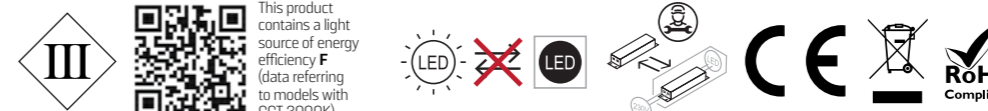
ACCESSORIES	wall outer case	external wall insulation outer case
	LUCZZ000	LUCZZ001
	29x68x72 mm	29x68x72 mm with flaps
power supply for recommended models see page 98 of the catalogue		



PRODUCT CODE CONFIGURATION

family	MIZAR LUCIS
LUC	MIZAR LUCIS
model	LUCIS 2.1
03	LUCIS 2.1
CCT	2700 K
C	2700 K
D	3000 K
F	4000 K
CRI	> 90
C	> 90
beam angles	no one
Z	no one
optionals	no one
O	no one
finishing	white RAL9003
WO	white RAL9003
BO	black RAL9005
CT	CORTEN
GO	anthracite RAL7016
cable length	0,4m
A	0,4m
variant	standard
00	standard

For correct code composition see instructions on page 151 of the catalogue or go to www.mizar.it



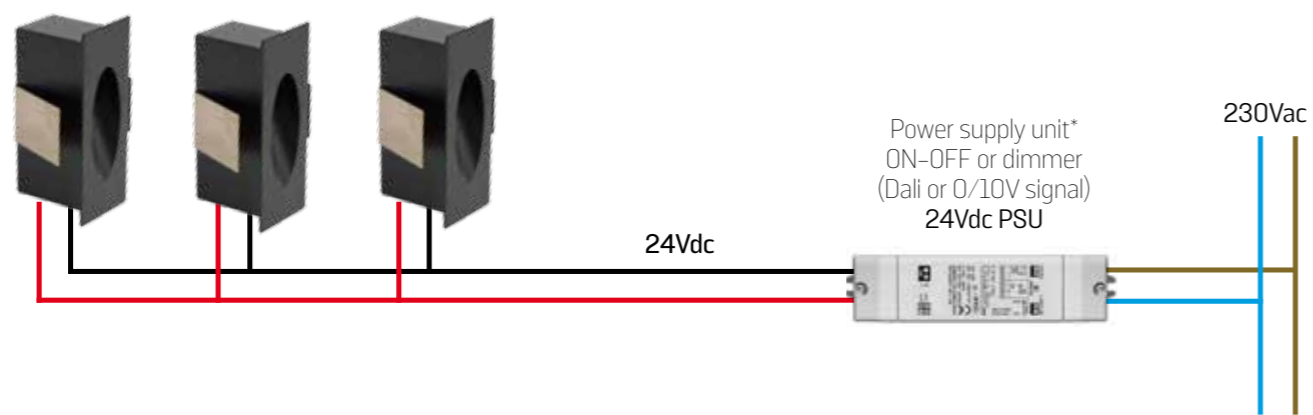


LUCIS




PARALLEL ELECTRICAL CONNECTION

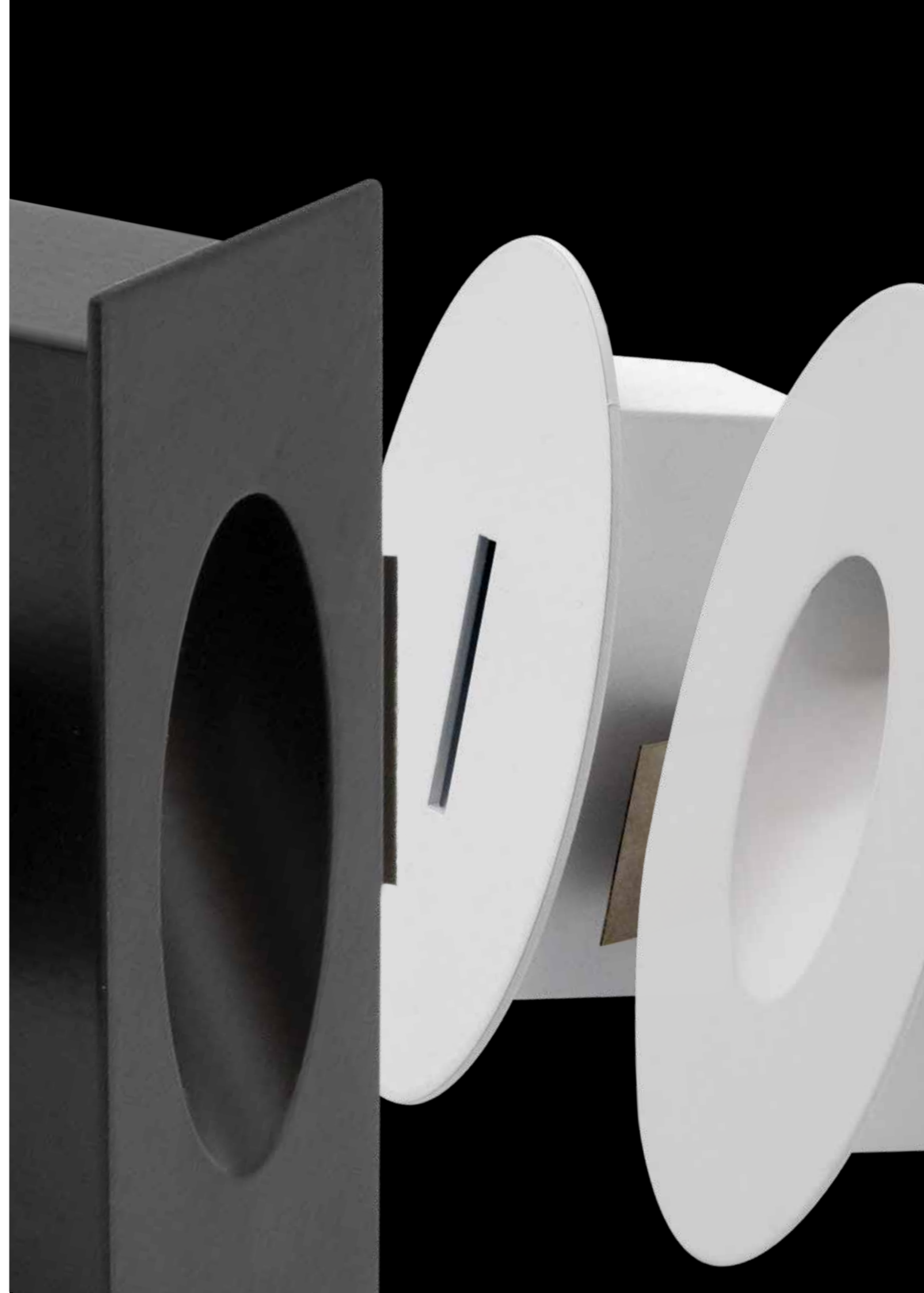
ON-OFF OR DIMMER SYSTEM (DALI OR 0-10V SIGNAL)

All lights are signed for parallel connection with ON-OFF or dimmer power supply units



* The power supply unit must have sufficient power to supply the number of lights in the circuit plus a tolerance of 30% to handle the inrush current

SUGGESTED POWER SUPPLY	code	OUT tension	output max	W max	IP	supported spotlight model	number of spotlights	
	MID0019	24V	600mA dc	14,4 W	IP67	LUCIS 1.0 - 1.1 - 2.0 - 2.1	5	
	MID0020	24V	1500mA dc	24 W	IP67	LUCIS 1.0 - 1.1 - 2.0 - 2.1	11	
	MID0021	DALI 24V	1000mA dc	24 W	IP67	LUCIS 1.0 - 1.1 - 2.0 - 2.1	9	





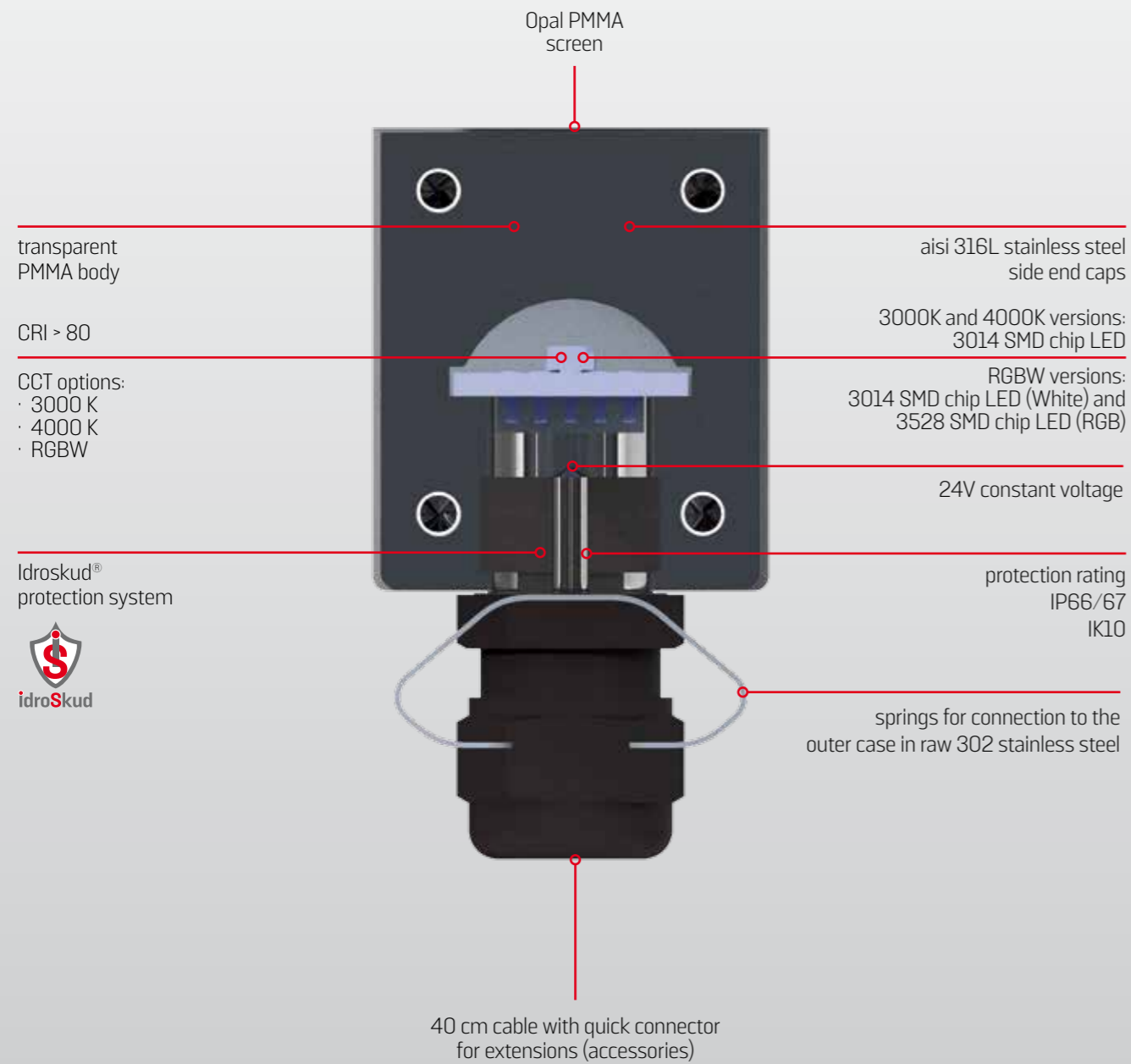
LINEO

DRIVER-OVER OUTDOOR
LINEAR INGROUNDS



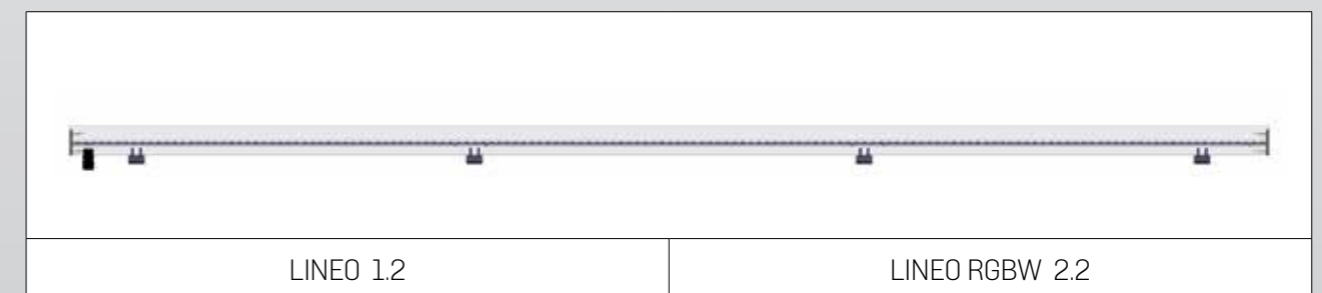
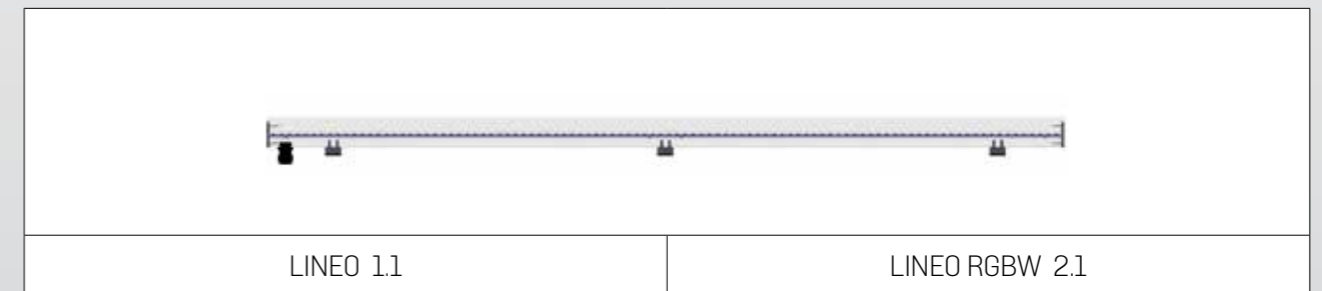
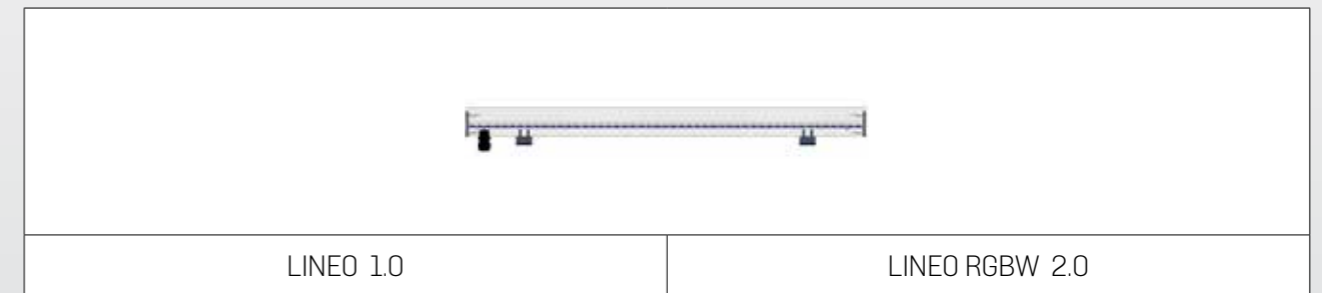
LINEO

CONSTRUCTION FEATURES



LINEO

FAMILY RANGE





LINEO 1.0 | 1.1 | 1.2

Linear ingrounds luminaire, **drive-over**, suitable for **outdoor** environments (IP66/IP67), with operating temperature range: **-20°C / +50°C**.

The body is in **PMMA**, transparent and opal on the upper side; the end caps are made of 316L stainless steel. The light source consists of 6/12/18W SMD3014 LEDs, according to the length of the luminaire, powered at 24V constant voltage.

The luminous flux up to **160/320/485 lm** (3000K) makes it **ideal** for **marking** out walkways and driveways, or create luminous cuts on walls and ceilings.

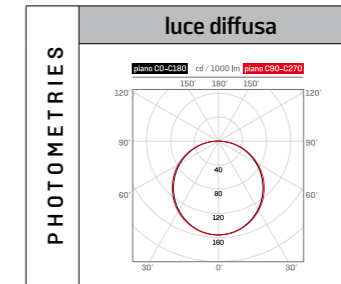
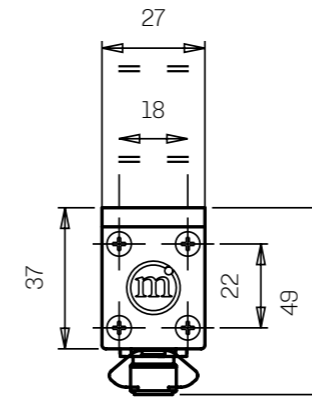
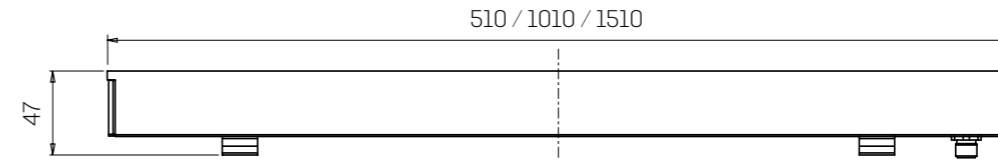
The **colour temperature** available in the variants: 3000K, 4000K.

Lineo is equipped with the **IdroSkud®** system for the protection of electronic components from voltage spikes, polarity reversal and water infiltration.

Accessories are provided for the installation (ground outer case and for plasterboard; extension cables up to 15 m).

power	6 / 12 / 18 W - Chip Led SMD 3014
power supply	24V constant voltage
insulation class	III class
IP rating	IP66 / IP67
IK rating	IK 10
operating temperature	-20°C / +50°C
size	27 x 49 x 510 / 1010 / 1510 mm
light source flux	804 / 1610 / 2400 lm (3000K)
effective flux	up to 160 / 320 / 485 lm (3000K)
beam angles	diffused
CCT	3000K - 4000K
CRI	> 80
BIN selection	3 Step MacAdam

lifetime	L80 B10 50.000 h
body materials	transparent PMMA
screen	opal PMMA
side heads	aisi 316L stainless steel
seal	transparent silicone
installation	with outer case
power cable	0.4 m with fast connector
electrical connection	parallel
weight	550 / 1000 / 1470 g
protection system	IdroSkud® System _ polarity reversal protection _ voltage spikes protection _ water infiltration protection
made in	ITALY



LINEO 1.0 | 1.1 | 1.2

PRODUCT CODE CONFIGURATION

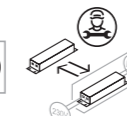
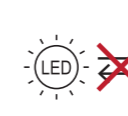


family	
LNE	MIZAR LINEO
model	
00	LINEO - 510 mm
01	LINEO - 1010 mm
02	LINEO - 1510 mm
CCT	
D	3000 K
F	4000 K
CRI	
B	> 80
beam angles	
K	diffused
optionals	
O	nessuno
finishing	
00	opale
cable length	
A	0.4 m
variant	
00	standard

ACCESSORIES	PC wall outer case	PC plasterboard outer case	fixing bracket outer case	5-pole extension cable
	LNEZZZ000 (511 mm)	LNEZZZ003 (511 mm)	LNEZZZ024	LNEZZZ012 (0,5 m)
	LNEZZZ001 (1011 mm)	LNEZZZ004 (1011 mm)		LNEZZZ013 (1 m)
	LNEZZZ002 (1511 mm)	LNEZZZ005 (1511 mm)		LNEZZZ014 (1,5 m)
				LNEZZZ015 (5 m)
				LNEZZZ016 (10 m)
			LNEZZZ017 (15 m)	
	wall header outer case	plasterboard header outer case	joint brackets outer case	2-way 5-pole splitter
	LNEZZZ022	LNEZZZ023	LNEZZZ025	LNEZZZ019



This product contains a light source of energy efficiency **F** (data referring to models with CCT 3000K)



For correct code composition see instructions on page 151 of the catalogue or go to www.mizar.it



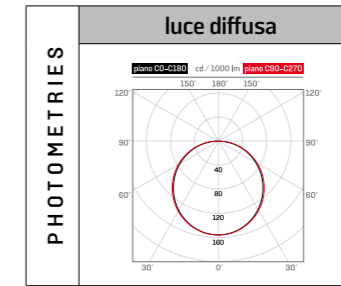
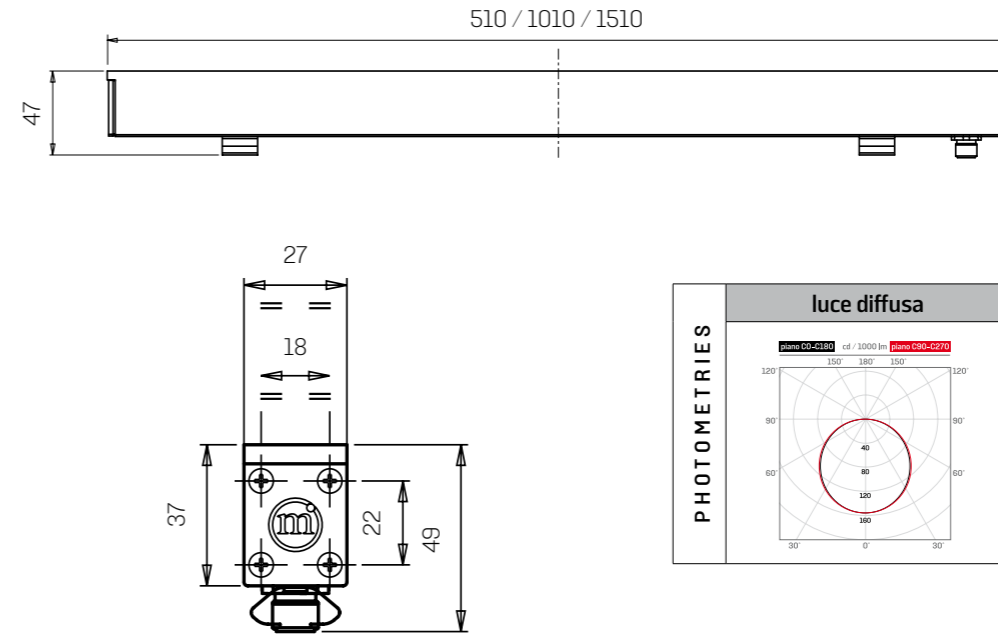


LINEO RGBW 2.0 | 2.1 | 2.2

Linear ingrounds luminaire, **drive-over**, suitable for **outdoor** environments (IP66/IP67), with operating temperature range: **-20°C / +50°C**.
The body is in **PMMA**, transparent and opal on the upper side; the heads is made with 316L stainless steel.
The light source consists of LEDs chip SMD3014 (4000K) and an SMD3528 Led (RGB) with a power of 12/24/36W, according to the length of the luminaire, powered at 24V constant voltage.
The luminous flux in various colour tones makes it **ideal** for **marking** out walkways and driveways, or create luminous cuts on walls and ceilings.
The **colour temperature** in White mode is 4000K; RGB tones are adjustable via an App on a smartphone if the recommended control unit is used.
Lineo is equipped with the **IdroSkud®** system for the protection of electronic components from voltage spikes, polarity reversal and water infiltration.
Accessories are provided for the installation (ground outer case and for plasterboard; extension cables up to 15 m).

power	12 / 24 / 36 W - chip Led SMD3014 (White) and chip Led SMD3528 (RGB)
power supply	24V constant voltage
insulation class	III class
IP rating	IP66 / IP67
IK rating	IK 10
operating temperature	-20°C / +50°C
size	27 x 49 x 510 / 1010 / 1510 mm
light source flux	423 / 846 / 1269 lm (4000K) 99 / 198 / 297 lm (R red) 337 / 674 / 1011 lm (G green) 79 / 158 / 237 lm (B blue)
effective flux	up to 85 / 170 / 250 lm (4000K) up to 20 / 46 / 70 lm (R red) up to 70 / 135 / 203 lm (G green) up to 18 / 32 / 48 lm (B blue)
beam angles	diffused
lifetime	L80 B10 50.000 h

CCT	RGBW (4000K)
CRI	> 80
BIN selection	3 step MacAdam
body materials	transparent PMMA
screen	opal PMMA
side heads	aisi 316L stainless steel
seal	transparent silicone
installation	with outer case
power cable	0.4 m with fast connector
electrical connection	parallel
weight	615 / 975 / 1320 g
protection system	IdroSkud® System _ polarity reversal protection _ voltage spikes protection _ water infiltration protection
made in	ITALY



ACCESSORIES	PC wall outer case	PC plasterboard outer case	fixing bracket outer case	5-pole extension cable
	LNEZZZ000 (511 mm)	LNEZZZ003 (511 mm)	LNEZZZ024	LNEZZZ012 (0,5 m)
	LNEZZZ001 (1011 mm)	LNEZZZ004 (1011 mm)		LNEZZZ013 (1 m)
	LNEZZZ002 (1511 mm)	LNEZZZ005 (1511 mm)		LNEZZZ014 (1,5 m)
				LNEZZZ015 (5 m)
				LNEZZZ016 (10 m)
				LNEZZZ017 (15 m)
	wall header outer case	plasterboard header outer case	joint brackets outer case	2-way 5-pole splitter
	LNEZZZ022	LNEZZZ023	LNEZZZ025	LNEZZZ019

LINEO RGBW 2.0 | 2.1 | 2.2

PRODUCT CODE CONFIGURATION



family	MIZAR LINEO
LNE	MIZAR LINEO
model	
00	LINEO - 510 mm
01	LINEO - 1010 mm
02	LINEO - 1510 mm
CCT	
P	RGBW
CRI	
B	> 80
beam angles	
K	diffused
optionals	
O	nessuno
finishing	
00	opale
cable length	
A	0.4 m
variant	
00	standard

For correct code composition see instructions on page 151 of the catalogue or go to www.mizar.it

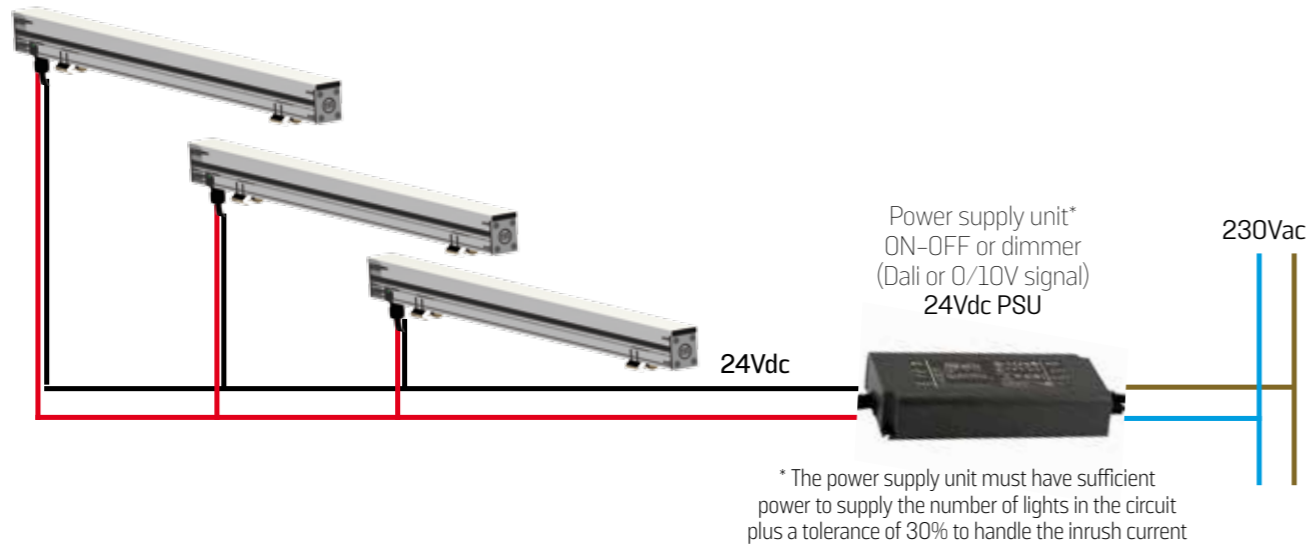




LINEO

PARALLEL ELECTRICAL CONNECTION

ON-OFF OR DIMMER SYSTEM (DALI OR 0-10V SIGNAL)



SUGGESTED POWER SUPPLY	code	CCT	OUT tension	output max	W max	IP	supported spotlight model	max meters	
	MID0028	RGBW	24Vdc	2.90 A max	70 W	IP67	Lineo 2.0-2.1-2.2 in combination with control unit MID0023	14 m	
		WHITE					LINEO 1.0 - 1.1 - 1.2	6 m	
	MID0029	WHITE	24Vdc	6,25 A max	150 W	IP67	LINEO 1.0 - 1.1 - 1.2	12 m	
	MID0030	WHITE	DALI 24Vdc	5 A max	120 W	IP67	LINEO 1.0 - 1.1 - 1.2	10 m	
	MID0031	WHITE	DALI 24Vdc	8,3 A max	200 W	IP67	LINEO 1.0 - 1.1 - 1.2	16 m	

RGBW CONTROLS	RGBW Telecontrol RT 4zone RF 2.4GHz	Wall touch panel RGBW 4zone	RGBW WT5 control unit 5 channels PWM/WIFI
	MID1000	MID1001	MID0023





QUANTUM

WALL MOUNTED
OUTDOOR LUMINAIRES



QUANTUM

CONSTRUCTION FEATURES



QUANTUM

FAMILY RANGE

QUANTUM 1.1	QUANTUM 1.2
single emission	double emission

QUANTUM 2.1	QUANTUM 2.2	QUANTUM 2.3
single emission	double emission	single emission + speaker

PRODUCT CODE CONFIGURATION



family

QUA MIZAR QUANTUM

model

00 QUANTUM 1.1

CCT

C 2700 K

D 3000 K

F 4000 K

CRI

C > 90

beam angles

S 10°

M 25°

L 40°

E 10° x 45°

optionals

O no one

I honeycomb

finishing

WO white RAL9003

BO black RAL9005

CT CORTEN

PR paintable primer

GO anthracite RAL7016

cable length

Z no one

variant

00 standard

For correct code composition see instructions on page 151 of the catalogue or go to www.mizar.it



QUANTUM 1.1

Single-emission wall mounted luminaire, suitable for **outdoor** environments (IP65), with wide range operating temperature: **-20°C / +50°C**.

The body is in **die-cast aluminum** protected by epoxy-polyester coating that guarantees resistance to corrosion equal to 1500 hours in salt spray. Five color finishes are available: white RAL9003, black RAL9005, anthracite RAL7016, CORTEN and paintable primer.

The light source consists of a single Power chip **3W** LED powered by 220Vac (integrated power supply).

The luminous flux up to **135 lm** (3000K) and the design make it **ideal** as a light for illuminating facades and architectural details.

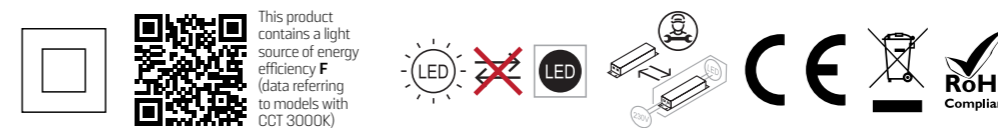
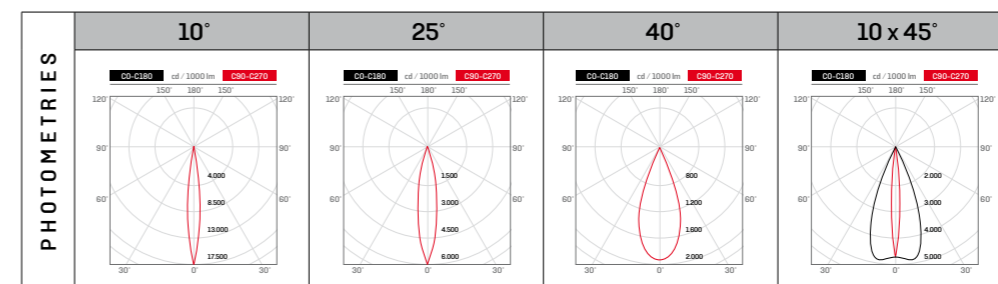
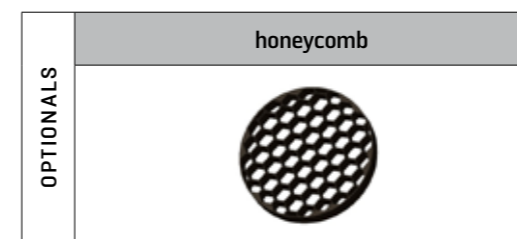
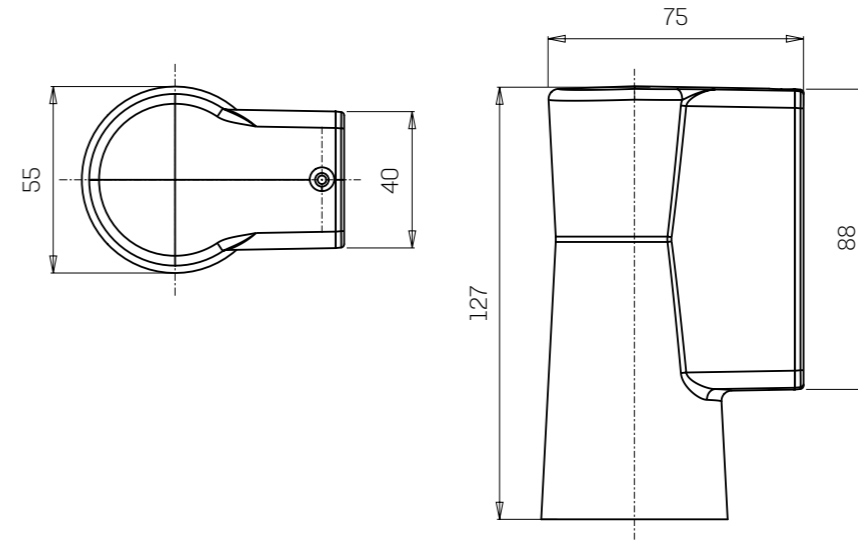
Different **colour temperatures** are available: 2700K, 3000K, 4000K with CRI > 90.

Optional anti-glare (honeycomb) is available.



power	3W - single chip Power Led
power supply	220Vac integrated power supply
insulation class	II class
IP rating	IP 65
IK rating	IK 06
operating temperature	-20°C / +50°C
size	55 x 75 x 127 mm
light source flux	227 lm (3000K)
effective flux	up to 135 lm (3000K)
beam angles	circular 10° - 25° - 40°; elliptical 10° x 45°
CCT	2700K - 3000K - 4000K
CRI	> 90
BIN selection	3 Step MacAdam

lifetime	L80 B10 50.000 h
body materials	EN AB46100 die-cast aluminum
finishing	first coat with protective primer followed by epoxy polyester for corrosion resistance
color	- white RAL9003 - black RAL9005 - anthracite RAL7016 - CORTEN - paintable primer
screen	tempered extra-clear glass - 5 mm black silkprinted
electrical connection	to power line
weight	500 g
made in	ITALY





QUANTUM 1.2

Double-emission wall mounted luminaire, suitable for **outdoor** environments (IP65), with wide range operating temperature: **-20°C / +50°C**.

The body is in **die-cast aluminum** protected by epoxy-polyester coating that guarantees resistance to corrosion equal to 1500 hours in salt spray. Five color finishes are available: white RAL9003, black RAL9005, anthracite RAL7016, CORTEN and paintable primer.

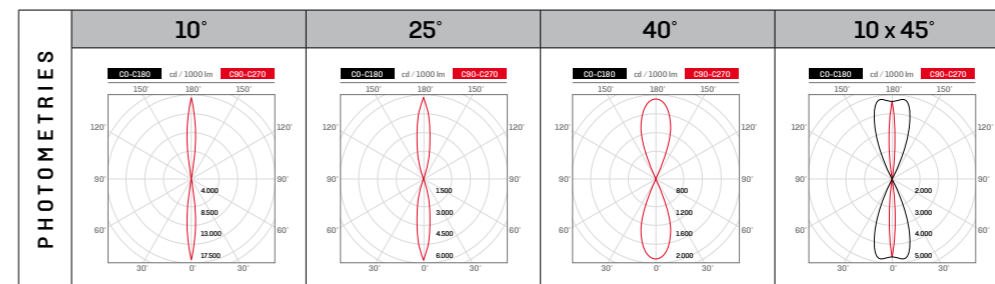
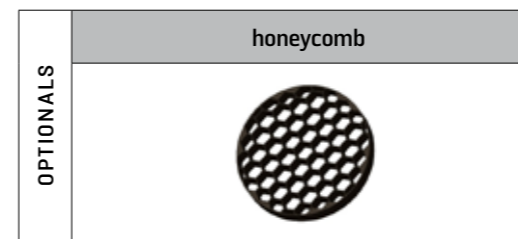
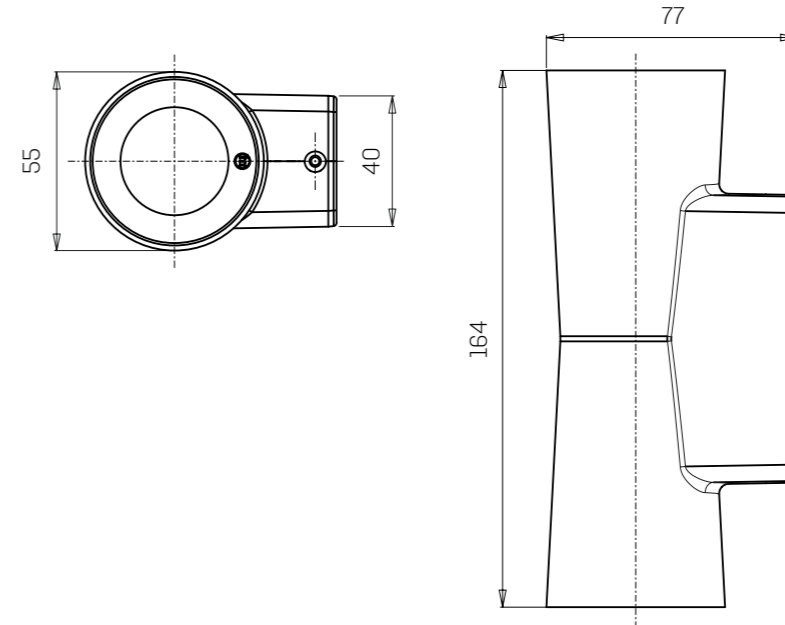
The light source consists of a single Power chip **3W+3W** LED per emission powered by 220Vac (integrated power supply). The luminous flux up to **135 lm x 2** (3000K) and the design make it **ideal** as a light for illuminating facades and architectural details.

Different **colour temperatures** are available: 2700K, 3000K, 4000K with CRI > 90. Optional anti-glare (honeycomb) is available.



power	3W+3W - single chip Power Led
power supply	220Vac integrated power supply
insulation class	II class
IP rating	IP 65
IK rating	IK 06
operating temperature	-20°C / +50°C
size	55 x 77 x 164 mm
light source flux	227 lm x2 (3000K)
effective flux	up to 135 lm x2 (3000K)
beam angles	circular 10° - 25° - 40°; elliptical 10° x 45°
CCT	2700K - 3000K - 4000K
CRI	> 90
BIN selection	3 Step MacAdam

lifetime	L80 B10 50.000 h
body materials	EN AB46100 die-cast aluminum
finishing	first coat with protective primer followed by epoxy polyester for corrosion resistance
color	- white RAL9003 - black RAL9005 - anthracite RAL7016 - CORTEN - paintable primer
screen	tempered extra-clear glass - 5 mm black silkprinted
electrical connection	to power line
weight	600 g
made in	ITALY



PRODUCT CODE CONFIGURATION



family	
QUA	MIZAR QUANTUM
model	
O1	QUANTUM 1.2
CCT	
C	2700 K
D	3000 K
F	4000 K
CRI	
C	> 90
beam angles	
S	10°
M	25°
L	40°
E	10° x 45°
optionals	
O	no one
I	honeycomb
finishing	
WO	white RAL9003
BO	black RAL9005
CT	CORTEN
PR	paintable primer
GO	anthracite RAL7016
cable length	
Z	no one
variant	
00	standard

For correct code composition see instructions on page 151 of the catalogue or go to www.mizar.it





QUANTUM 2.1

Single-emission wall mounted luminaire, suitable for **outdoor** environments (IP65), with wide range operating temperature: **-20°C / +50°C**.

The body is in **die-cast aluminum** protected by epoxy-polyester coating that guarantees resistance to corrosion equal to 1500 hours in salt spray.

Five color finishes are available: white RAL9003, black RAL9005, anthracite RAL7016, CORTEN and paintable primer.

The light source consists of a single Power chip **7W LED** powered by 220Vac (integrated power supply).

The luminous flux up to **305 lm** (3000K) and the design make it **ideal** as a light for illuminating facades and architectural details.

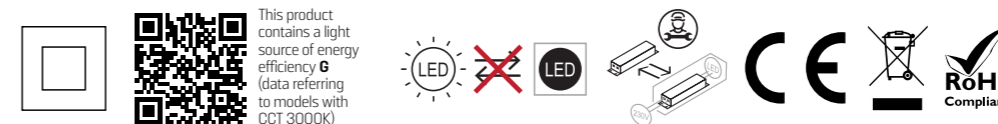
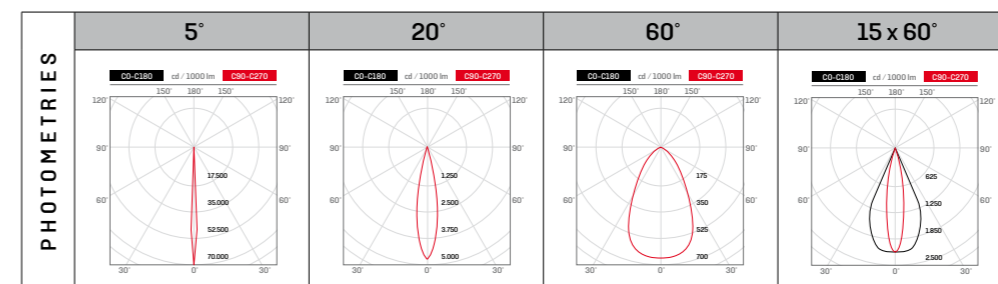
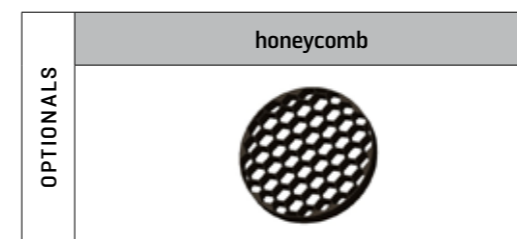
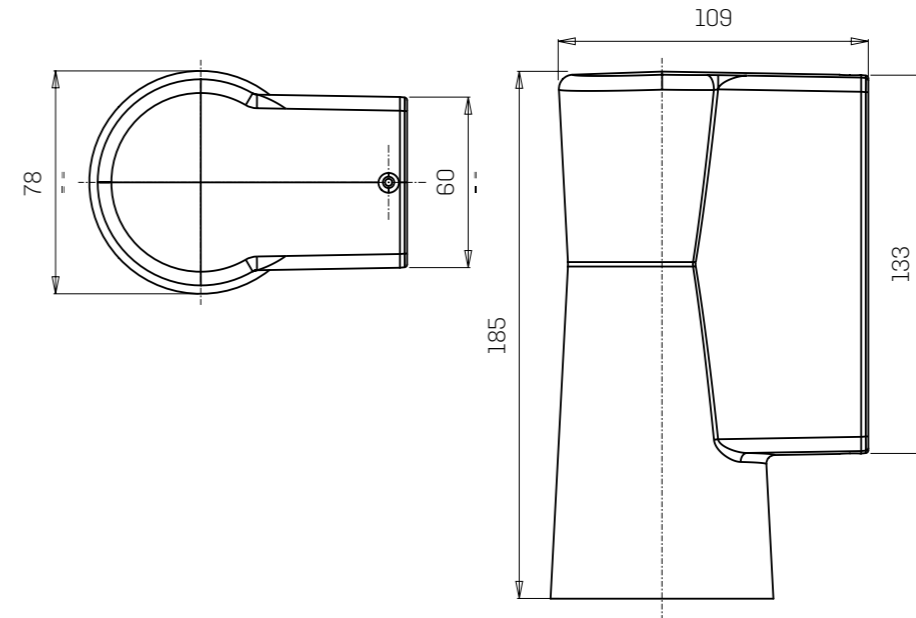
Different **colour temperatures** are available: 2700K, 3000K, 4000K with CRI > 90.

Optional anti-glare (honeycomb) is available.



power	7W - single chip Power Led
power supply	220Vac integrated power supply
insulation class	II class
IP rating	IP 65
IK rating	IK 06
operating temperature	-20°C / +50°C
size	109 x 78 x 185 mm
light source flux	410 lm (3000K)
effective flux	up to 305 lm (3000K)
beam angles	circular 5° - 20° - 60°; elliptical 15° x 60°
CCT	2700K - 3000K - 4000K
CRI	> 90
BIN selection	3 Step MacAdam

lifetime	L80 B10 50.000 h
body materials	EN AB46100 die-cast aluminum
finishing	first coat with protective primer followed by epoxy polyester for corrosion resistance
color	- white RAL9003 - black RAL9005 - anthracite RAL7016 - CORTEN - paintable primer
screen	tempered extra-clear glass - 6 mm black silkprinted
electrical connection	to power line
weight	1200 g
made in	ITALY



PRODUCT CODE CONFIGURATION



family	
QUA	MIZAR QUANTUM
model	
02	QUANTUM 2.1
CCT	
C	2700 K
D	3000 K
F	4000 K
CRI	
C	> 90
beam angles	
S	5°
M	20°
L	60°
E	15° x 60°
optionals	
O	no one
I	honeycomb
finishing	
WO	white RAL9003
BO	black RAL9005
CT	CORTEN
PR	paintable primer
GO	anthracite RAL7016
cable length	
Z	no one
variant	
00	standard

For correct code composition see instructions on page 151 of the catalogue or go to www.mizar.it





QUANTUM 2.2

Double-emission wall mounted luminaire, suitable for **outdoor** environments (IP65), with wide range operating temperature: **-20°C / +50°C**.

The body is in **die-cast aluminum** protected by epoxy-polyester coating that guarantees resistance to corrosion equal to 1500 hours in salt spray. Five color finishes are available: white RAL9003, black RAL9005, anthracite RAL7016, CORTEN and paintable primer.

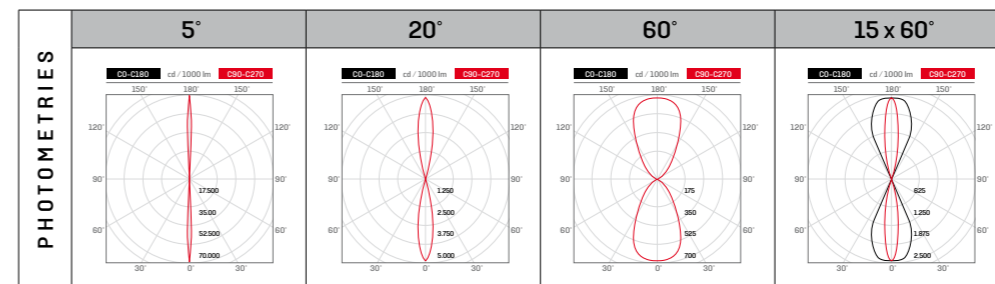
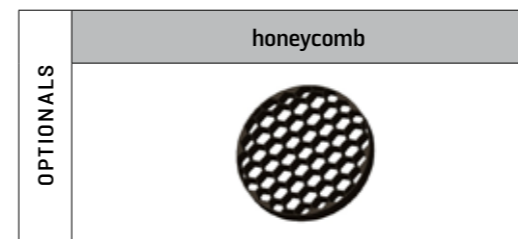
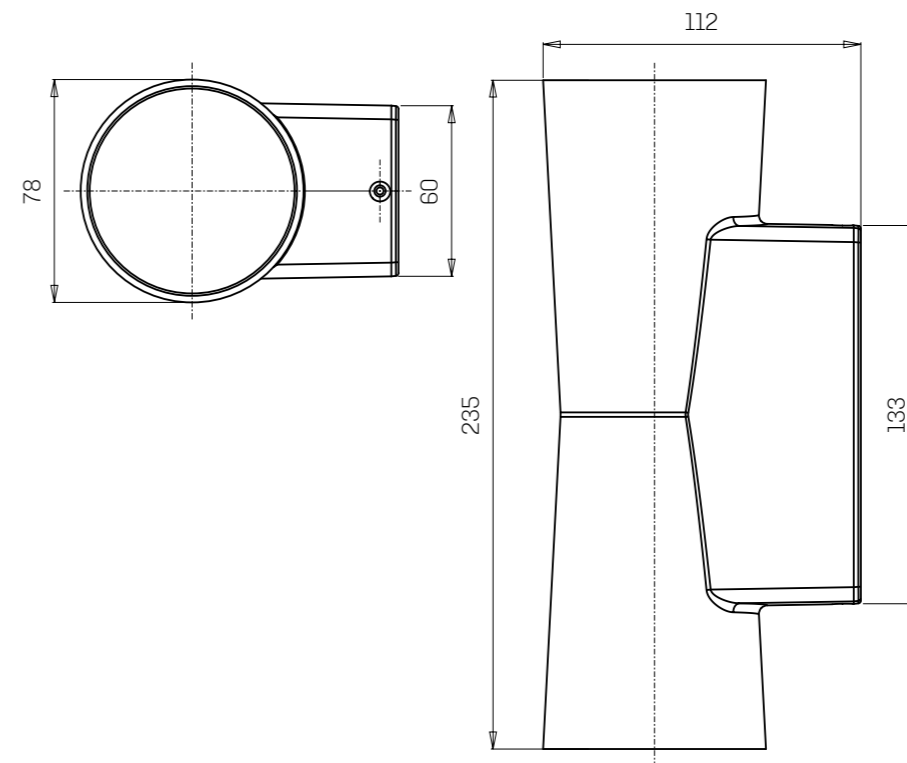
The light source consists of a single Power chip **7W+7W** LED per emission powered by 220Vac (integrated power supply). The luminous flux up to **305 lm x 2** (3000K) and the design make it **ideal** as a light for illuminating facades and architectural details.

Different **colour temperatures** are available: 2700K, 3000K, 4000K with CRI > 90. Optional anti-glare (honeycomb) is available.



power	7W+7W - single chip Power Led
power supply	220Vac integrated power supply
insulation class	II class
IP rating	IP 65
IK rating	IK 06
operating temperature	-20°C / +50°C
size	112 x 78 x 235 mm
light source flux	410 lm x2 (3000K)
effective flux	up to 305 lm x2 (3000K)
beam angles	circular 5° - 20° - 60°; elliptical 15° x 60°
CCT	2700K - 3000K - 4000K
CRI	> 90
BIN selection	3 Step MacAdam

lifetime	L80 B10 50.000 h
body materials	EN AB46100 die-cast aluminum
finishing	first coat with protective primer followed by epoxy polyester for corrosion resistance
color	- white RAL9003 - black RAL9005 - anthracite RAL7016 - CORTEN - paintable primer
screen	tempered extra-clear glass - 6 mm black silkprinted
electrical connection	to power line
weight	1660 g
made in	ITALY



PRODUCT CODE CONFIGURATION

QUA	MIZAR QUANTUM
03	QUANTUM 2.2
C	2700 K
D	3000 K
F	4000 K
C	> 90
S	5°
M	20°
L	60°
E	15° x 60°
O	no one
I	honeycomb
WO	white RAL9003
BO	black RAL9005
CT	CORTEN
PR	paintable primer
GO	anthracite RAL7016
Z	no one
00	standard

For correct code composition see instructions on page 151 of the catalogue or go to www.mizar.it





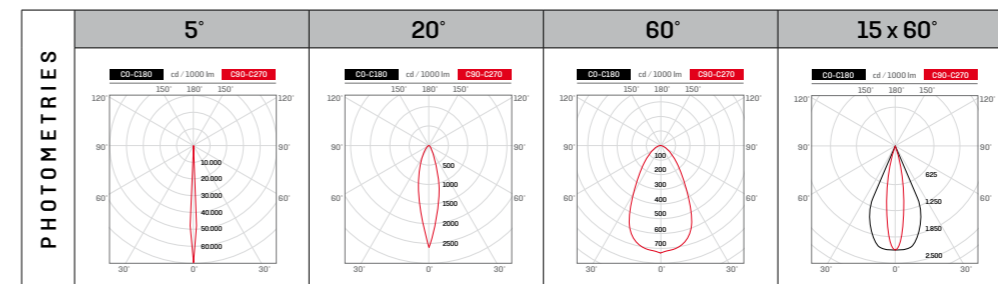
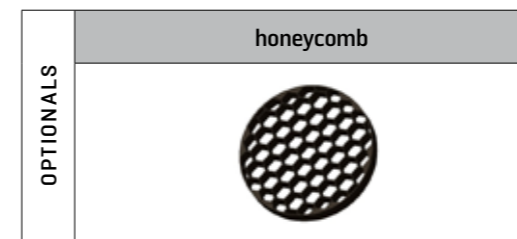
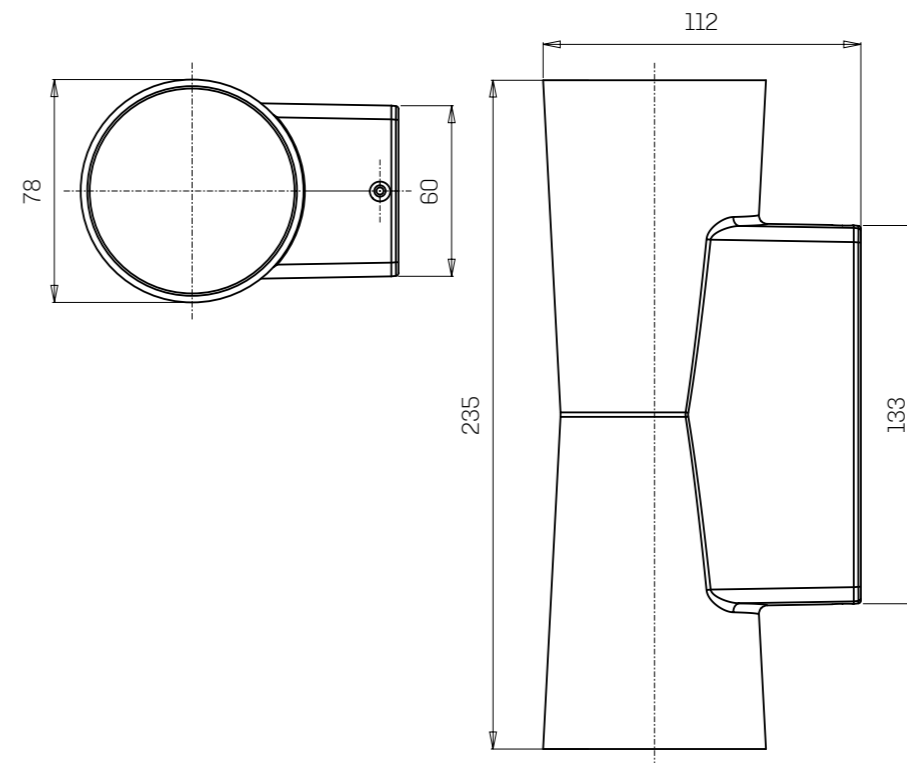
QUANTUM 2.3

Single-emission wall mounted luminaire, equipped with **audio speaker**; suitable for **outdoor** environments (IP65), with wide range operating temperature: **-20°C / +50°C**. The body is in **die-cast aluminum** protected by epoxy-polyester coating that guarantees resistance to corrosion equal to 1500 hours in salt spray. Five color finishes are available: white RAL9003, black RAL9005, anthracite RAL7016, CORTEN and paintable primer. The light source consists of a single Power chip **7W LED** powered by 220Vac (integrated power supply). The speaker-audio has a power of 6W and can be connected to a sound source via Bluetooth. The luminous flux up to **305 lm** (3000K) and the design make it **ideal** as a light for illuminating facades and architectural details, and provide sound to the rooms. Light **color temperature** available in the variants: 2700K, 3000K, 4000K with CRI > 90. Optional anti-glare (honeycomb) is available.



power	7W - single chip Power Led + 6W speaker
power supply	220Vac integrated power supply
insulation class	II class
IP rating	IP 65
IK rating	IK 06
operating temperature	-20°C / +50°C
size	112 x 78 x 235 mm
light source flux	410 lm (3000K)
effective flux	up to 305 lm (3000K)
beam angles	circular 5° - 20° - 60°; elliptical 15° x 60°
CCT	2700K - 3000K - 4000K
CRI	> 90
BIN selection	3 Step MacAdam

lifetime	L80 B10 50.000 h
body materials	EN AB46100 die-cast aluminum
finishing	first coat with protective primer followed by epoxy polyester for corrosion resistance
color	- white RAL9003 - black RAL9005 - anthracite RAL7016 - CORTEN - paintable primer
screen	tempered extra-clear glass - 6 mm black silkprinted
electrical connection	to power line
weight	1580 g
made in	ITALY



PRODUCT CODE CONFIGURATION

family

QUA	MIZAR QUANTUM
model	
04	QUANTUM 2.3
CCT	
C	2700 K
D	3000 K
F	4000 K
CRI	
C	> 90
beam angles	
S	5°
M	20°
L	60°
E	15° x 60°
optionals	
O	nessuno
I	nido d'ape
finishing	
WO	white RAL9003
BO	black RAL9005
CT	CORTEN
PR	paintable primer
GO	anthracite RAL7016
cabale length	
Z	no one
variant	
00	standard



VECTIS

SUSPENDED INDOOR LUMINAIRES





VECTIS

CONSTRUCTION FEATURES



VECTIS

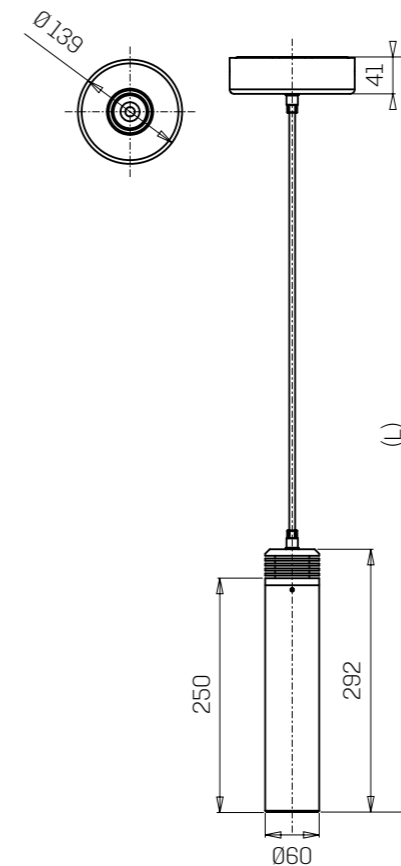
FAMILY RANGE

VECTIS 10.0	VECTIS 10.1	VECTIS 20.0	VECTIS 20.1	VECTIS 30.0	VECTIS 30.1
250mm - Led	250mm - GU10	400mm - Led	400mm - GU10	600mm - Led	600mm - GU10



VECTIS 10.0

Suspended indoor luminaire (IP40), with wide operating temperature range: **-20°C / +50°C**. The **25/40/60 cm tubular body** and the canopy are made of **aluminium** protected by primer and liquid paint in three color finishes: white RAL9003, black RAL9005, Corten. The light source consists of a single Power chip **7W LED** powered at 220Vac (integrated power supply). The luminous flux up to **123 lm** (3000K) and the design minimalist make it **ideal** for lighting any type of environment: historical or contemporary, home or office. Available **color temperatures**: 2700K, 3000K, 4000K with CRI > 90. The cable is made of black fabric. Standard cable lengths are: 1 m, 2 m, 3 m.



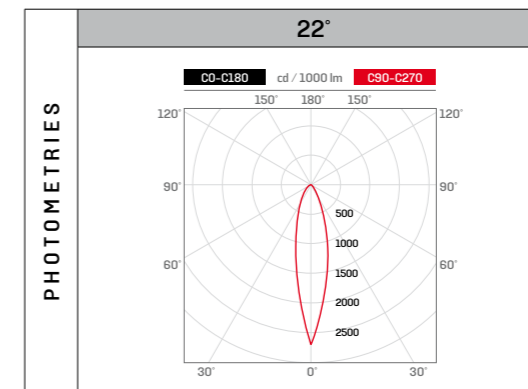
power	7W - single chip Power Led
power supply	220Vac - integrated driver
insulation class	II class
IP rating	IP 40
operating temperature	-20°C / +50°C
size	Ø 60 x 292 mm
light source flux	410 lm (3000K)
effective flux	up to 123 lm (3000K)
beam angles	22°
CCT	2700K - 3000K - 4000K
CRI	> 90
BIN selection	3 Step MacAdam

lifetime	L80 B10 50.000 h
body and canopy	6082 anticorodal aluminium
finishing	first coat with protective primer followed by epoxy polyester for corrosion resistance
colors	- white RAL9003 - black RAL9005 - CORTEN
power cable	1m/2m/3m double insulated black fabric cable 2x0.75 mm
electrical connection	connection to the network line
weight	997 g (1 m) 1072 g (2 m) 1148 g (3 m)
made in	ITALY

PRODUCT CODE CONFIGURATION

family

VEC	MIZAR VECTIS
model	
00	VECTIS 10.0
CCT	
C	2700 K
D	3000 K
F	4000 K
CRI	
C	> 90
beam angles	
S	tight angle
optionals	
O	no one
finishing	
WO	white RAL9003
BO	black RAL9005
CT	CORTEN
cable length	
B	1 m
D	2 m
F	3 m
variant	
00	standard



This product contains a light source of energy efficiency **G** (data referring to models with CCT 3000K)

LED ~~LED~~ LED

CE RoHS Compliant

For correct code composition see instructions on page 151 of the catalogue or go to www.mizar.it





VECTIS 10.1

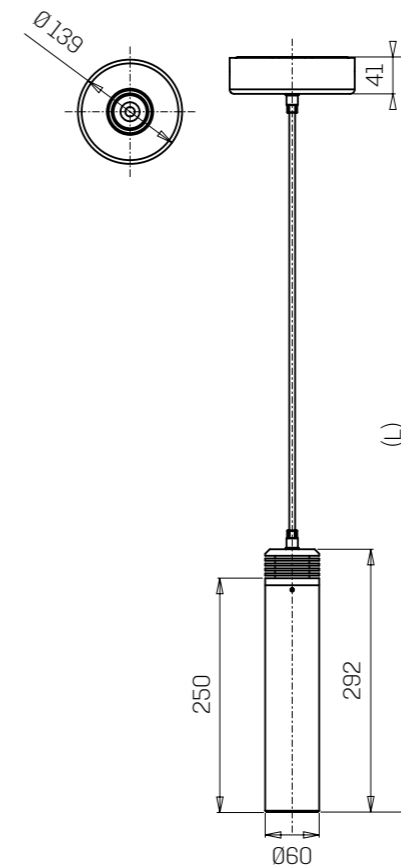
Suspended indoor luminaire (IP20), with socket for GU10 lamps. The **25/40/60 cm tubular body** and the canopy are in **aluminum** protected by primer and painting liquid in three color finishes: white RAL9003, black RAL9005, Corten. The minimalist design of the device makes it **ideal** as a solution for any type of environment: historical or contemporary, home or office. The GU10 socket allows for flexibility to use the most suitable lamp (max 13W), to lighting needs. The cable is made of black fabric. Standard cable lengths are: 1 m, 2 m, 3 m.

power	13W max - GU10 socket (lamp not included)
power supply	220Vac
insulation class	II class
IP rating	IP 20
operating temperature	-20°C / +50°C
size	Ø 60 x 292 mm



for GU10 lamps

body and canopy	6082 anticorodal aluminium
finishing	first coat with protective primer followed by epoxy polyester for corrosion resistance
colors	- white RAL9003 - black RAL9005 - CORTEN
power cable	1m/2m/3m double insulated black fabric cable 2x0.75 mm
electrical connection	connection to the network line
weight	1022 g (1 m) 1098 g (2 m) 1174 g (3 m)
made in	ITALY



PRODUCT CODE CONFIGURATION

VEC	MIZAR VECTIS
01	VECTIS 10.1
Q	variable
Z	no one
Z	no one
O	no one
WO	white RAL9003
BO	black RAL9005
CT	CORTEN
B	1 m
D	2 m
F	3 m
00	standard

For correct code composition see instructions on page 151 of the catalogue or go to www.mizar.it



PRODUCT CODE CONFIGURATION



family

VEC MIZAR VECTIS

model

03 VECTIS 20.0

CCT

C 2700 K
D 3000 K
F 4000 K

CRI

C >90

beam angles

S tight angle

optionals

O no one

finishing

WO white RAL9003
BO black RAL9005
CT CORTEN

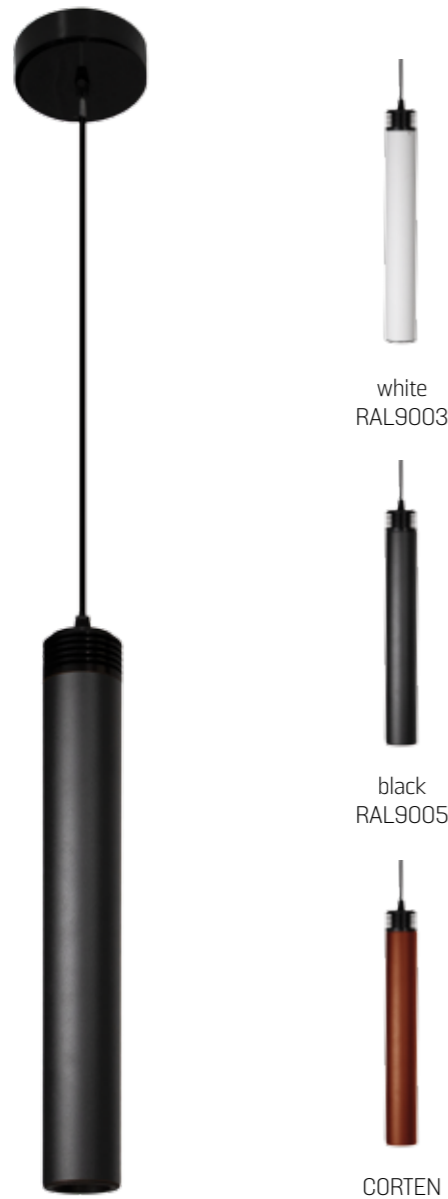
cable length

B 1 m
D 2 m
F 3 m

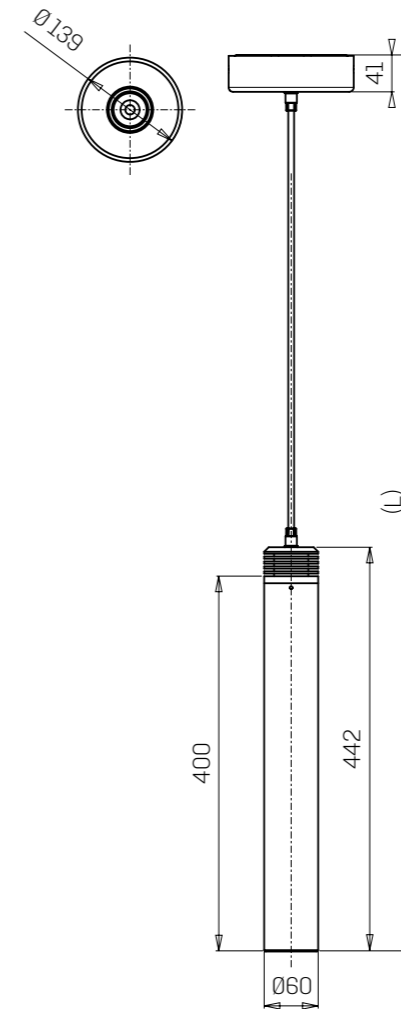
variant

00 standard

VECTIS 20.0

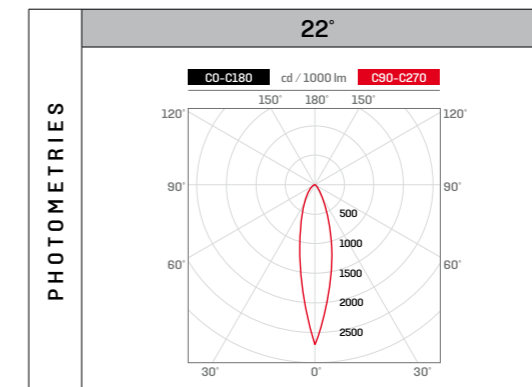
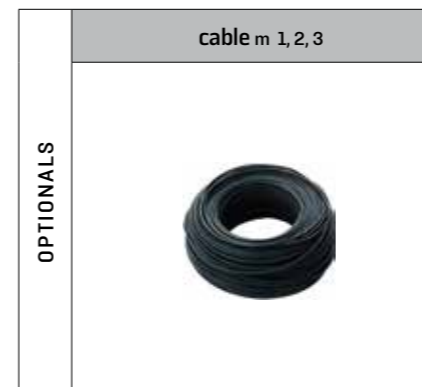


Suspended indoor luminaire (IP40), with wide operating temperature range: **-20°C / +50°C**. The **25/40/60 cm tubular body** and the canopy are made of **aluminium** protected by primer and liquid paint in three color finishes: white RAL9003, black RAL9005, Corten. The light source consists of a single Power chip **7W LED** powered at 220Vac (integrated power supply). The luminous flux up to **123 lm** (3000K) and the design minimalist make it **ideal** for lighting any type of environment: historical or contemporary, home or office. Available **color temperatures**: 2700K, 3000K, 4000K with CRI > 90. The cable is made of black fabric. Standard cable lengths are: 1 m, 2 m, 3 m.



power	7W - single chip Power Led
power supply	220Vac - integrated driver
insulation class	II class
IP rating	IP 40
operating temperature	-20°C / +50°C
size	Ø 60 x 442 mm
light source flux	410 lm (3000K)
effective flux	up to 123 lm (3000K)
beam angles	22°
CCT	2700K - 3000K - 4000K
CRI	> 90
BIN selection	3 Step MacAdam

lifetime	L80 B10 50.000 h
body and canopy	6082 anticorodal aluminium
finishing	first coat with protective primer followed by epoxy polyester for corrosion resistance
colors	- white RAL9003 - black RAL9005 - CORTEN
power cable	1m/2m/3m double insulated black fabric cable 2x0.75 mm
electrical connection	connection to the network line
weight	1022 g (1 m) 1098 g (2 m) 1174 g (3 m)
made in	ITALY



OPTIONALS

PHOTOMETRIES

LED

CE

RoHS Compliant

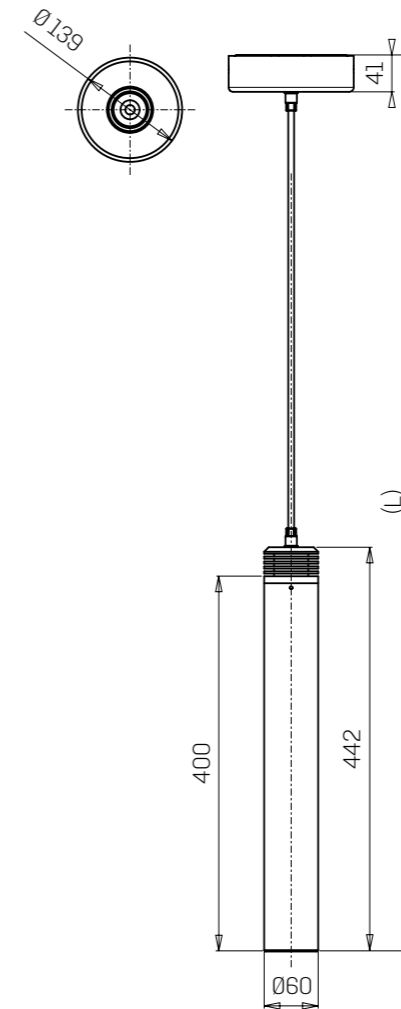
For correct code composition see instructions on page 151 of the catalogue or go to www.mizar.it





VECTIS 20.1

Suspended indoor luminaire (IP20), with socket for GU10 lamps.
 The **25/40/60 cm tubular body** and the canopy are in **aluminum** protected by primer and painting liquid in three color finishes: white RAL9003, black RAL9005, Corten.
 The minimalist design of the device makes it **ideal** as a solution for any type of environment: historical or contemporary, home or office.
 The GU10 socket allows for flexibility to use the most suitable lamp (max 13W), to lighting needs.
 The cable is made of black fabric.
 Standard cable lengths are: 1 m, 2 m, 3 m.



power	13W max - GU10 socket (lamp not included)
power supply	220Vac
insulation class	II class
IP rating	IP 20
operating temperature	-20°C / +50°C
size	Ø 60 x 442 mm

body and canopy	6082 anticorodal aluminium
finishing	first coat with protective primer followed by epoxy polyester for corrosion resistance
colors	- white RAL9003 - black RAL9005 - CORTEN
power cable	1m/2m/3m double insulated black fabric cable 2x0.75 mm
electrical connection	connection to the network line
weight	1065 g (1 m) 1140 g (2 m) 1216 g (3 m)
made in	ITALY



for GU10 lamps



family	
VEC	MIZAR VECTIS
model	
04	VECTIS 20.1
CCT	
Q	variable
CRI	
Z	no one
beam angles	
Z	nessuna
optionals	
O	no one
finishing	
WO	white RAL9003
BO	black RAL9005
CT	CORTEN
cable length	
B	1 m
D	2 m
F	3 m
variant	
00	standard

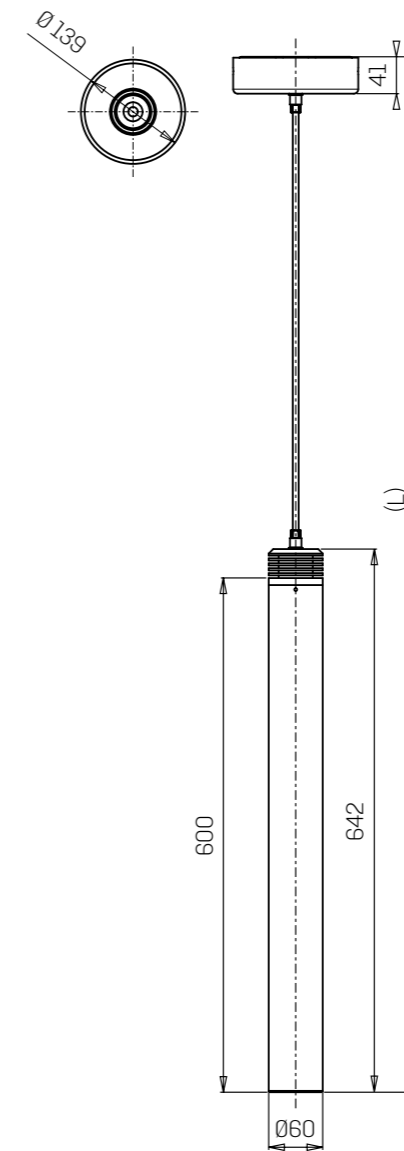
For correct code composition see instructions on page 151 of the catalogue or go to www.mizar.it





VECTIS 30.0

Suspended indoor luminaire (IP40), with wide operating temperature range: **-20°C / +50°C**. The **25/40/60 cm tubular body** and the canopy are made of **aluminium** protected by primer and liquid paint in three color finishes: white RAL9003, black RAL9005, Corten. The light source consists of a single Power chip **7W LED** powered at 220Vac (integrated power supply). The luminous flux up to **123 lm** (3000K) and the design minimalist make it **ideal** for lighting any type of environment: historical or contemporary, home or office. Available **color temperatures**: 2700K, 3000K, 4000K with CRI > 90. The cable is made of black fabric. Standard cable lengths are: 1 m, 2 m, 3 m.

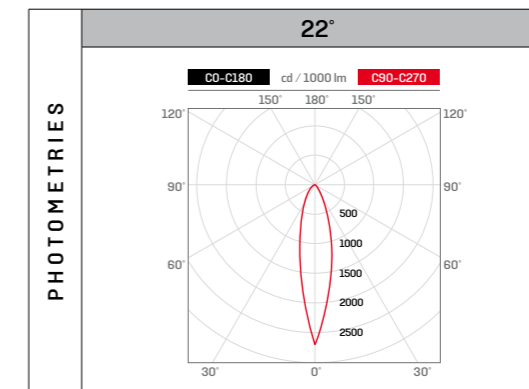


power	7W - single chip Power Led
power supply	220Vac - integrated driver
insulation class	II class
IP rating	IP 40
operating temperature	-20°C / +50°C
size	Ø 60 x 642 mm
light source flux	410 lm (3000K)
effective flux	up to 123 lm (3000K)
beam angles	22°
CCT	2700K - 3000K - 4000K
CRI	> 90
BIN selection	3 Step MacAdam

lifetime	L80 B10 50.000 h
body and canopy	6082 anticorodal aluminium
finishing	first coat with protective primer followed by epoxy polyester for corrosion resistance
colors	- white RAL9003 - black RAL9005 - CORTEN
power cable	1m/2m/3m double insulated black fabric cable 2x0.75 mm
electrical connection	connection to the network line
weight	1507 g (1 m) 1583 g (2 m) 1659 g (3 m)
made in	ITALY

PRODUCT CODE CONFIGURATION

VEC	MIZAR VECTIS
model	
06	VECTIS 30.0
CCT	
C	2700 K
D	3000 K
F	4000 K
CRI	
C	>90
beam angles	
S	tight angle
optionals	
O	no one
finishing	
WO	white RAL9003
BO	black RAL9005
CT	CORTEN
cable length	
B	1 m
D	2 m
F	3 m
variant	
OO	standard



This product contains a light source of energy efficiency **G** (data referring to models with CCT 3000K)

LED ~~LED~~ LED

CE RoHS Compliant

For correct code composition see instructions on page 151 of the catalogue or go to www.mizar.it





VECTIS 30.1

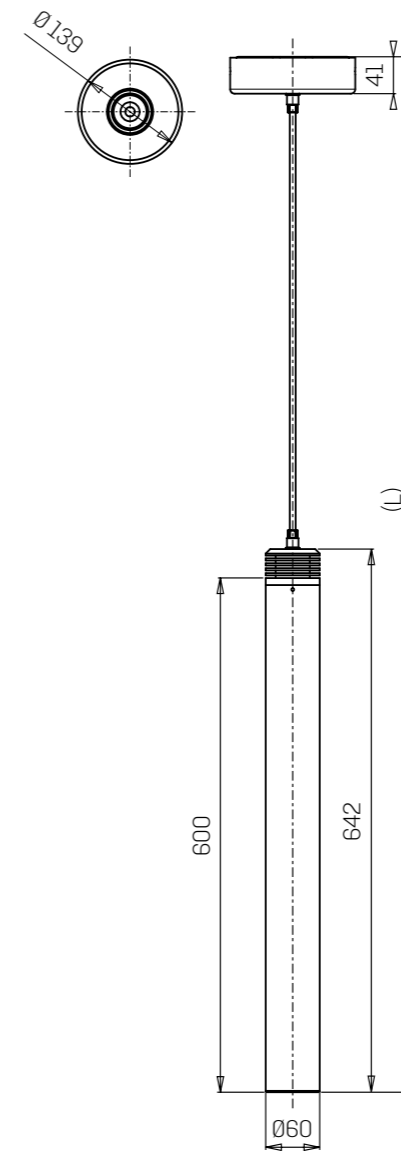
Suspended indoor luminaire (IP20), with socket for GU10 lamps. The **25/40/60 cm tubular body** and the canopy are in **aluminum** protected by primer and painting liquid in three color finishes: white RAL9003, black RAL9005, Corten. The minimalist design of the device makes it **ideal** as a solution for any type of environment: historical or contemporary, home or office. The GU10 socket allows for flexibility to use the most suitable lamp (max 13W), to lighting needs. The cable is made of black fabric. Standard cable length are: 1 m, 2 m, 3 m.

power	13W max - GU10 socket (lamp not included)
power supply	220Vac
insulation class	II class
IP rating	IP 20
operating temperature	-20°C / +50°C
size	Ø 60 x 642 mm



for GU10 lamps

body and canopy	6082 anticorodal aluminium
finishing	first coat with protective primer followed by epoxy polyester for corrosion resistance
colors	- white RAL9003 - black RAL9005 - CORTEN
power cable	1m/2m/3m double insulated black fabric cable 2x0.75 mm
electrical connection	connection to the network line
weight	1121 g (1 m) 1197 g (2 m) 1273 g (3 m)
made in	ITALY



PRODUCT CODE CONFIGURATION

family	
VEC	MIZAR VECTIS
model	
07	VECTIS 30.1
CCT	
Q	variable
CRI	
Z	no one
beam angles	
Z	no one
optionals	
O	no one
finitura	
WO	white RAL9003
B0	black RAL9005
CT	CORTEN
cable length	
B	1 m
D	2 m
F	3 m
variant	
00	standard

For correct code composition see instructions on page 151 of the catalogue or go to www.mizar.it





CALICIS

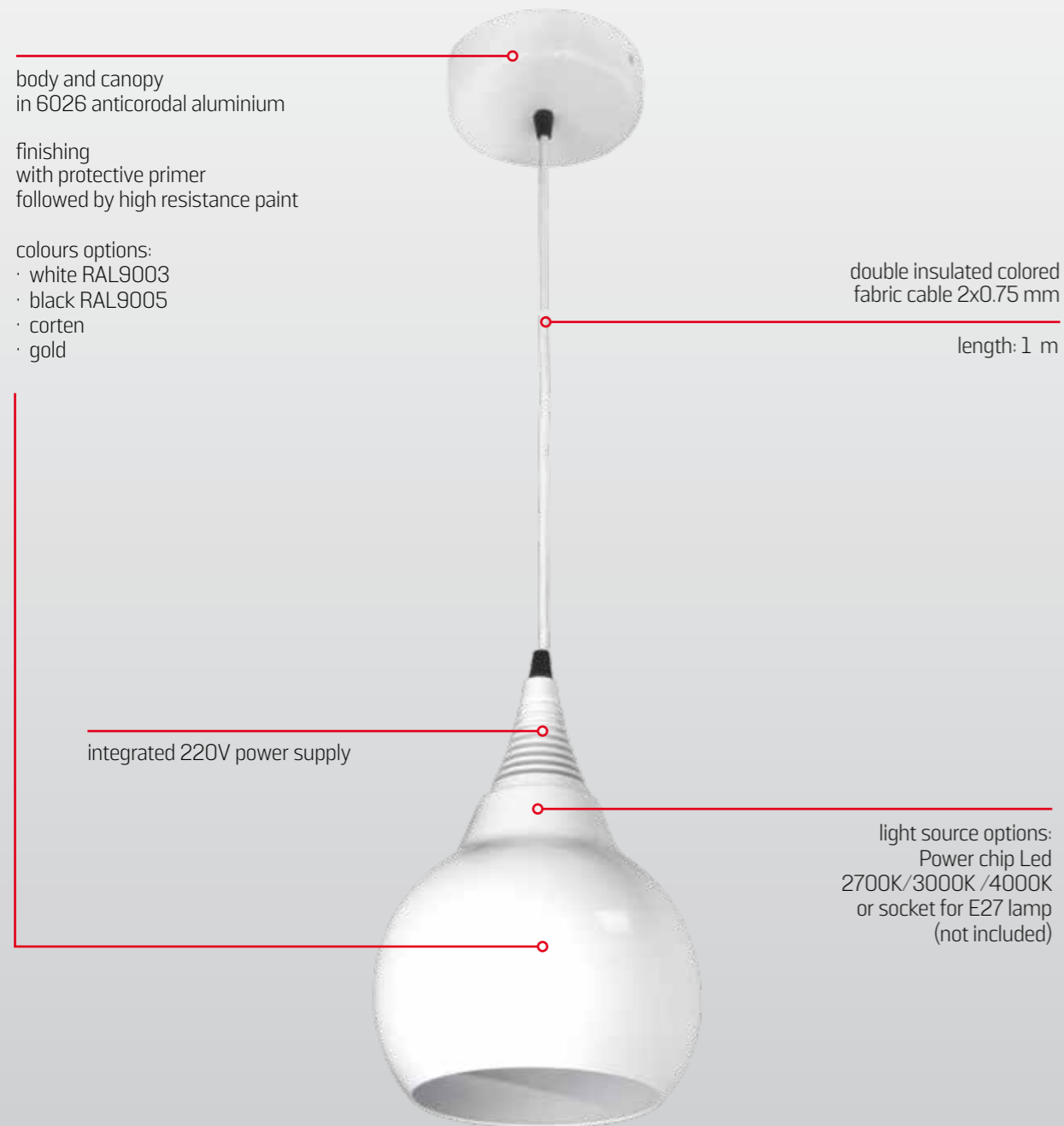
SUSPENDED INDOOR LUMINAIRES





CALICIS

CONSTRUCTION FEATURES



CALICIS

FAMILY RANGE



CALICIS 1.0

Led source



CALICIS 2.0

E27 lamp



CALICIS 1.0

Suspended indoor luminaire (IP43), with wide operating temperature range: **-20°C / +50°C**.

The body and rosette are made of protected **aluminium** from primer and glossy liquid paint in four color finishes: white RAL9003, black RAL9005, Corten finish, Gold. The light source consists of a single **7W** Power LED chip powered by 220Vac (integrated power supply). The luminous flux up to **123 lm** (3000K) and the design make it **ideal** for illuminating elegant rooms.

Available **color temperatures**: 2700K, 3000K, 4000K with CRI > 90.

The cable is made of fabric in a color corresponding to the finish of the appliance.

The standard length is 1 m: other sizes are on request.



white RAL9003



black RAL9005



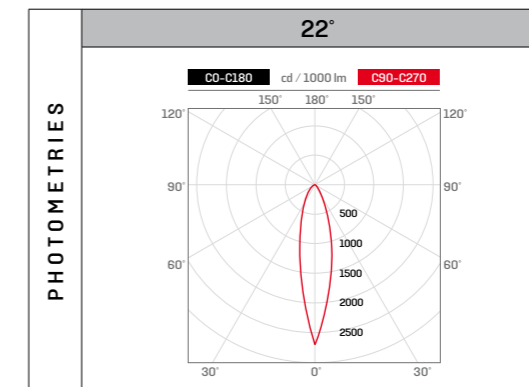
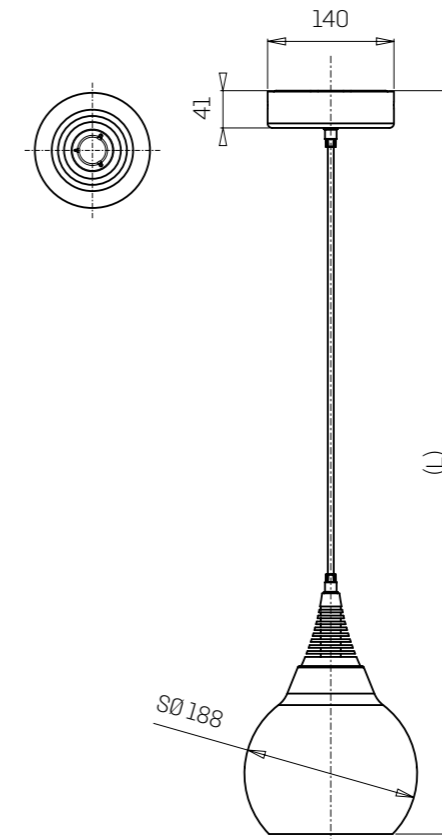
CORTEN



GOLD

power	7W - single chip Power Led
power supply	220 Vac - integrated driver
insulation class	II class
IP rating	IP 43
operating temperature	-20°C / +50°C
size	Ø 188 x 1040 (cable) mm
light source flux	410 lm (3000K)
effective flux	up to 123 lm (3000K)
beam angles	circular 22°
CCT	2700K - 3000K - 4000K
CRI	> 90
BIN selection	3 Step MacAdam

lifetime	L80 B10 50.000 h
body and rosette	6082 anticorodal aluminium
finishing	first coat with protective primer followed by epoxy polyester for corrosion resistance
colors	- white RAL9003 - black RAL9005 - CORTEN - GOLD
power cable	1m/2m/3m double insulated colored fabric cable 2x0.75 mm
electrical connection	connection to the power line
weight	700 g
made in	ITALY



PRODUCT CODE CONFIGURATION



family

CAL	MIZAR CALICIS	
model		
00	CALICIS 1.0	
CCT		
C	2700 K	▼
D	3000 K	▼
F	4000 K	▼
CRI		
C	> 90	
beam angles		
Z	no one	
optionals		
O	no one	
finishing		
WO	white RAL9003	
BO	black RAL9005	
CT	CORTEN	
GD	GOLD	
cable length		
B	1 m	
variant		
00	standard	

For correct code composition see instructions on page 151 of the catalogue or go to www.mizar.it





CALICIS 2.0

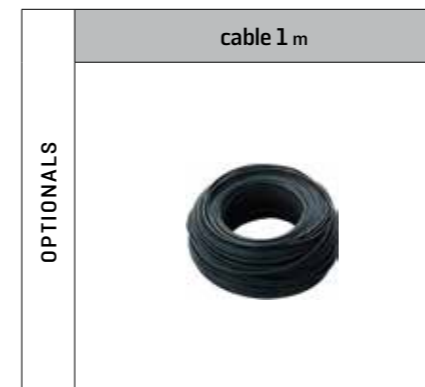
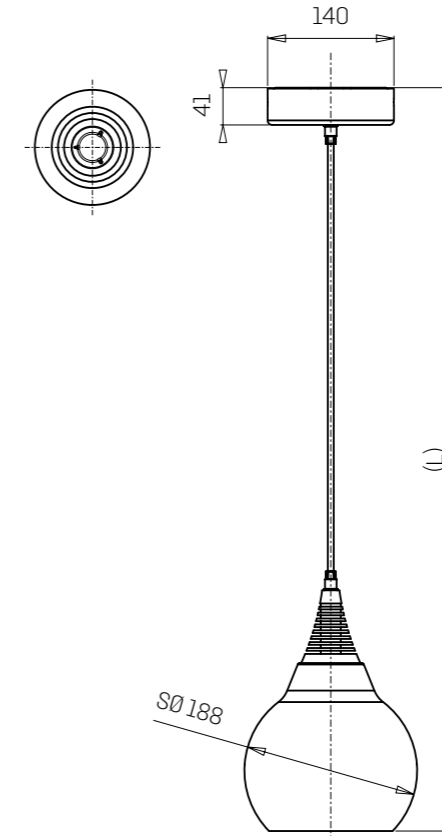
Suspended indoor luminaire (IP43), with socket for E27 lamps.
 The body and rosette are made of protected **aluminium** from primer and glossy liquid paint in four color finishes: white RAL9003, black RAL9005, Corten finish, Gold.
 The design of the device makes it **ideal** as a furnishing solution in elegant environments, with the flexibility to use the type of lamp (max 60W) more suitable for lighting needs.
 Available **color temperatures**: 2700K, 3000K, 4000K with CRI > 90.
 The cable is made of fabric in a color corresponding to the finish of the appliance.
 The standard length is 1 m: other sizes are on request.



power	60W max - E27 socket (lamp not included)
power supply	220Vac
insulation class	II class
IP rating	IP 20
operating temperature	-20°C / +50°C
size	Ø 188 x 1040 (cable) mm



body and rosette	6082 anticorodal aluminium
finishing	first coat with protective primer followed by epoxy polyester for corrosion resistance
colors	- white RAL9003 - black RAL9005 - CORTEN - GOLD
power cable	1m/2m/3m double insulated colored fabric cable 2x0.75 mm
electrical connection	connection to the power line
peso	700 g
produzione	ITALY



OPTIONALS



PRODUCT CODE CONFIGURATION



family	MIZAR CALICIS
CAL	MIZAR CALICIS
model	CALICIS 2.0
O1	CALICIS 2.0
CCT	variable
Q	variable
CRI	no one
Z	no one
beam angles	no one
Z	no one
optionals	nessuno
O	nessuno
finishing	white RAL9003
WO	white RAL9003
BO	black RAL9005
CT	CORTEN
GD	GOLD
cable length	1 m
B	1 m
variant	standard
OO	standard

For correct code composition see instructions on page 151 of the catalogue or go to www.mizar.it



CORROSIVITY CATEGORY FOR EXTERNAL ENVIRONMENTS

ISO 9223:2012 has defined a system for classifying atmospheric corrosion of metals and alloys in various environmental conditions. This standard indicates corrosion classes based on observed corrosion rates, in standardized samples, exposed to these environments for one year. Additionally, it provides dose-response functions to estimate the corrosivity level, determined by the normalized annual metal loss due to atmospheric agents. This approach allows predicting the highest possible corrosion class, considering local environmental factors, including the interaction of temperature, humidity, sulfur dioxide pollution, and salinity.

However, it's essential to note that the standard doesn't account for other significant elements such as wind speed, sand abrasion, accidental breakdown of protective layers, maintenance frequency, and exposure levels.

CORROSIVITY CATEGORY	CORROSIVITY LEVEL	TYPICAL ENVIRONMENTS
C1	Very low	Dry or cold zone, atmospheric environment with very low pollution and humidity time, e.g., certain deserts, Central Arctic / Antarctica.
C2	Low	Low-temperature zone, low pollution atmospheric environment (SO2* <5 g / m3), rural areas, and small towns. Dry or cold location, atmospheric setting with a short humidity time, e.g., deserts, subarctic areas.
C3	Medium	The temperate zone, atmospheric environment with medium pollution (SO2*: from 5 g / m3 to 30 g / m3) or some chlorides, e.g., urban areas, coastal areas with low chloride deposition. Subtropical and tropical zone, quiet pollution atmosphere.
C4	High	Temperate zone, highly polluted atmospheric environment (SO2*: 30 g / m3 to 90 g / m3) or substantial effect of chlorides, e.g., polluted urban areas, industrial areas, coastal areas without saltwater splash or exposure to the strong impact of antifreeze salts-subtropical and tropical zone, medium pollution atmosphere.
C5	Very high	Temperate and subtropical zone, atmospheric environment with very high pollution (SO2*: from 90 g / m3 to 250 g / m3) and significant effect of chlorides, e.g., industrial areas, generic coastal areas, sheltered locations on the coast.
CX	Extreme	Subtropical and tropical zone (very high humidity period), atmospheric environment with very high SO2* pollution (above 250 g / m3) including accompanying and production factors and the strong effect of chlorides, e.g., extreme industrial areas, coastal and offshore locations, and occasional contact with salt spray. Category CX is to be considered for extreme situations where the corrosion rates exceed the upper limits in category C5. Indeed, CX refers to specific marine and marine/industrial environments, such as bridges.

* SO2*: Sulphur dioxide - (not sodium chloride)

MIZAR use the standard defined by ISO 9227:2017, to test its products and processes.

We implement a pre-treatment process to produce high-quality coating, ensuring excellent paint adhesion and optimal corrosion protection through the use of chemicals specifically dedicated to aluminum.

In a second step, the luminaire is tested in a sodium chloride atmospheric chamber.

This test allows us to monitor the corrosion behavior of the complete product, checking in detail:

- The quality of the paint
- The sensibility of the design
- The behaviour of stainless-steel screws and the aluminium quality

MIZAR also uses UNI EN 12944 to validate its processes for an exposure time over 1500 hours at a constant temperature. All our painted products pass this testing standard. The results are subsequently classified to comply with ISO 9223 (as mentioned in the previously indicated table).



C4
Fountains or swimming pools
Every outdoor MIZAR product is compliant. If installation is underwater, choose between IP68 products.



C5
Urban or industrial areas
Every outdoor MIZAR product is compliant.



CX
Bridges or marine environments
Only outdoor MIZAR products, with exposed surface completely made of stainless steel / brass / glass / technopolymer, are compliant.

LIGHT CLASS

Protection against electric shock

- Class 0** The protection is based on essential insulation. There is no earth wire.
- Class I** The protection is based on essential insulation and the connection of accessible metallic parts to an earth wire.
- Class II** The protection is based on essential insulation and additional measures such as reinforced double insulation.
- Class III** The protection is based on the fact that, in every point of the light, the supply and/or working voltage is below 50 V actual value in A.C. (very low safety voltage)

EU ECODSIGN DIRECTIVE

- non-replaceable light source
- user-replaceable light source
- light source replaceable by licensed professional
- non-replaceable power supply unit
- user-replaceable power supply unit
- power supply unit replaceable by licensed professional

MARKS



PROTECTION CLASS

- IP** Protection against penetration by SOLIDS
- 0** Not protected
- 1** Protected against solids above 50mm
- 2** Protected against solids above 12mm
- 3** Protected against penetration by probe with Ø2.5mm
- 4** Protected against penetration by probe with Ø1mm
- 5** Protected against entrance of dust
- 6** Dust proof
- IK** Protection against external MECHANICAL IMPACTS
- 00** Not protected
- 01** Protected against an impact energy of 0,15J
- 02** Protected against an impact energy of 0,2J
- 03** Protected against an impact energy of 0,35J
- 04** Protected against an impact energy of 0,5J
- 05** Protected against an impact energy of 0,7J
- 06** Protected against an impact energy of 1J
- 07** Protected against an impact energy of 2J
- 08** Protected against an impact energy of 5J
- 09** Protected against an impact energy of 10J
- 10** Protected against an impact energy of 20J

HOW TO DIAL THE PRODUCT CODE

To identify the desired product code, choose the letters/digits corresponding to the options following the order from top to bottom of the table until you reach **14 characters**.

EXAMPLE

family	MIZAR OCEANO
model	OCEANO 3.0
CCT	3000K
CRI	90
beam angles	40°
optionals	honeycomb
finishing	aluminium body aluminium frame
cable length	1.5 m
variant	standard

The product with the characteristics listed above can be identified by the following code:

CEA 04 D C L 1 00 C 00

family	
CEA	MIZAR OCEANO
model	
04	OCEANO 3.0
CCT	
C	2700 K
D	3000 K
F	4000 K
CRI	
C	>90
beam angles	
S	10°
M	25°
L	40°
E	10°x45° ell.
optionals	
0	no one
1	honeycomb
2	louvre
finishing	
00	aluminium body aluminium frame
01	steel body steel frame
02	aluminium body brass frame
03	steel body brass frame
cable length	
A	0,4 m
C	1,5 m
H	5 m
M	10 m
P	15 m
variant	
00	standard

By scanning the QR code positioned at the foot of each table with a smartphone, you access the webpage www.mizar.it thanks to which it is possible to **configure the product code automatically**



MIZAR

MADE IN ITALY 2023/24

art direction

Federico Bollarino Srl

Luigi Bicco

photos

Donato Migliori

Fabio Catalano

print

Litograf Srl

Avigliana (TO)

© REER SpA - 2024



MIZAR
is a brand of
REER SpA
Via Carcano 32 10153 Torino
ITALY
Tel +39 011 9969833

mizar.it